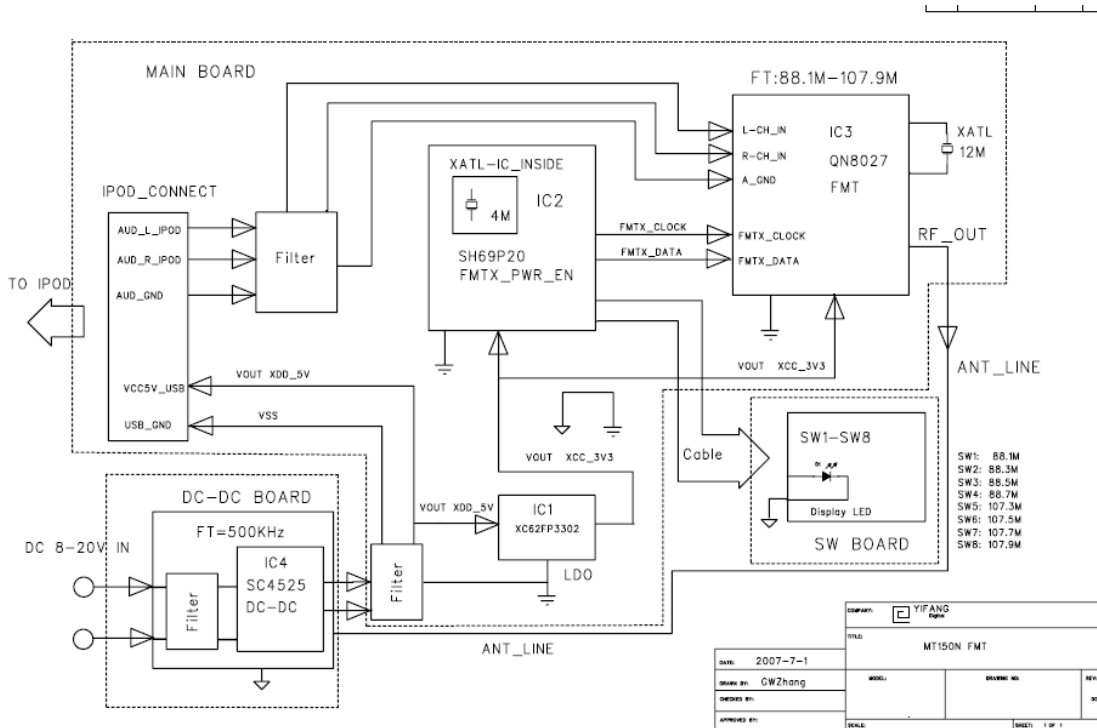


## PRODUCT illustrate

### 1. System introduce

**MT150N is a FM transmitter, designed to play the iPod through your car, home, or portable stereo. The FM transmitter function turns on when the Power is connected.**



### 2.1 structure introduce

The system is consist of MCU (SH69P20), DC-DC converter(SC4524) and FM unit(QN8027).

### 2.2 Description

When the DC Power is connected, DC-DC converter(SC4524) convert it to +5V and turns on the MT150N, then MCU (SH69P20) turns on FM unit(QN8027), & displays FM frequency on Select Channel Indicator. Audio signal from iPod was processed and controlled via FM unit(QN8027). FM unit QN8027 is a low power stereo FM transmitter, modulate Audio signal (sent from audio processing unit) to RF oscillator, then send to space by one antenna.

### 2.3 Power

MT150N could get power supply by Auto Power Cord from your car instead of from iPod.