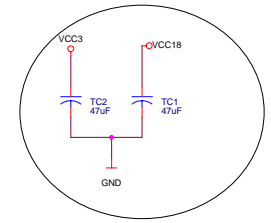
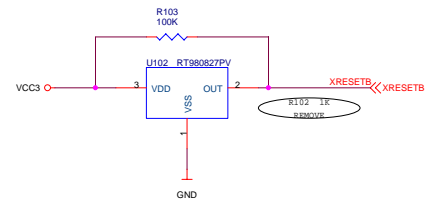
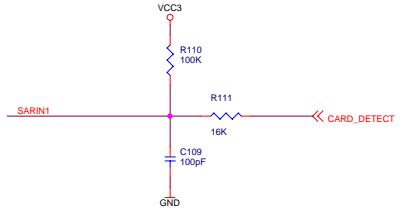
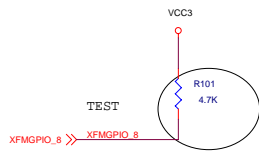
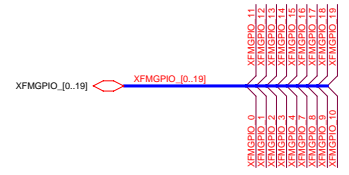
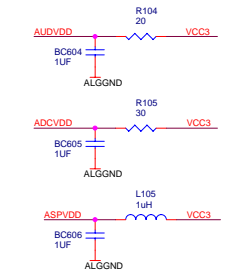
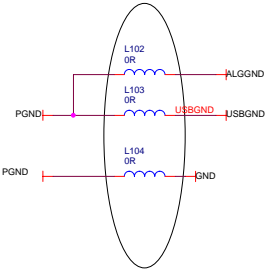
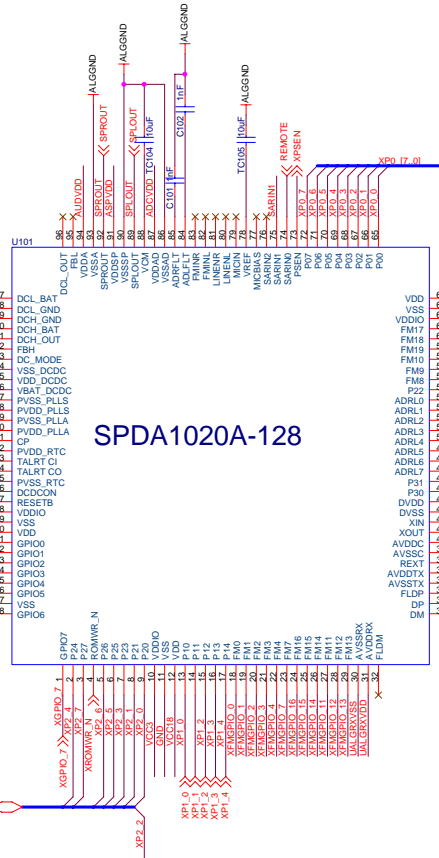


FMGPIO8接高跑外部程式，接低跑内部程式



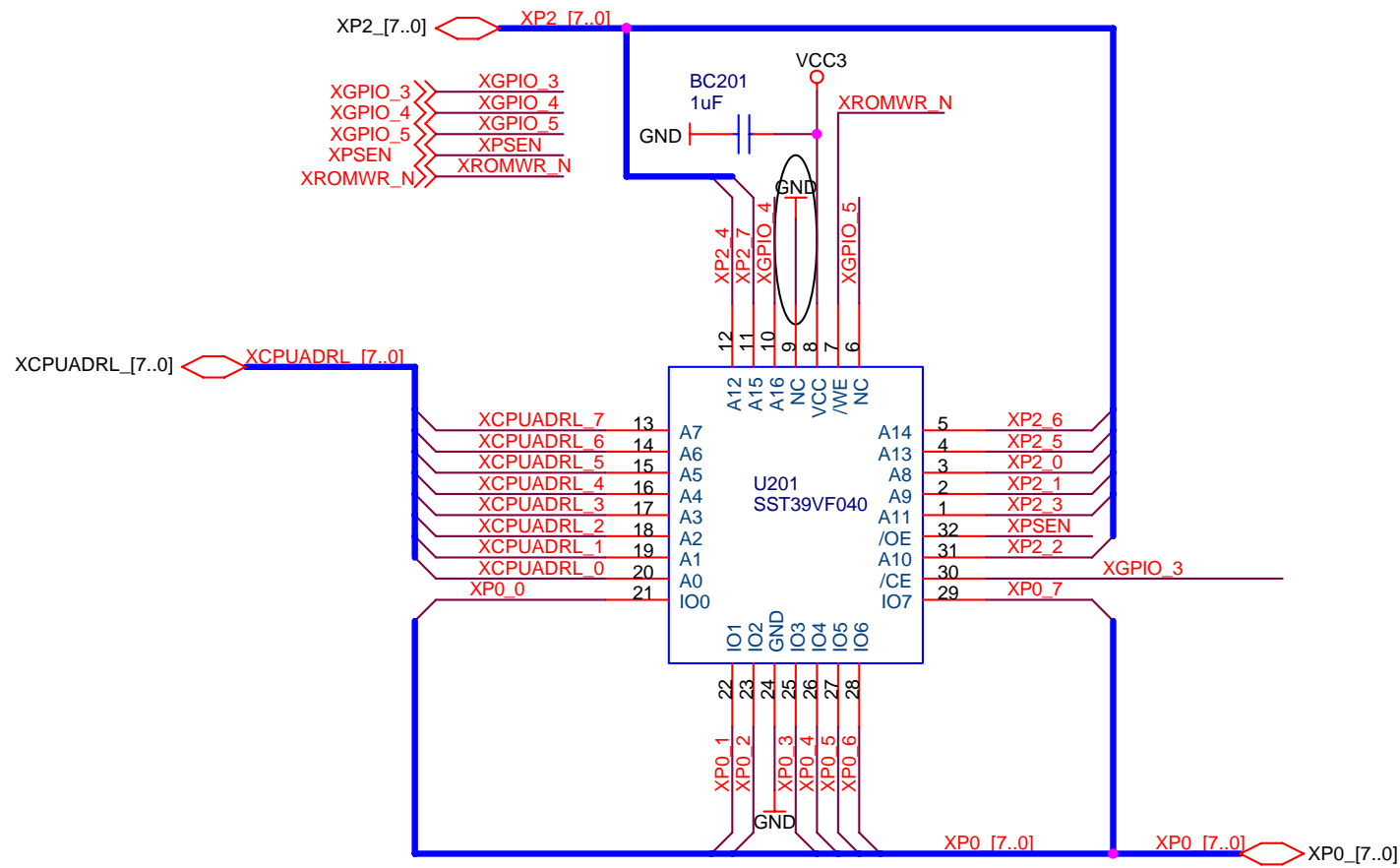
### SPDA1020A-128



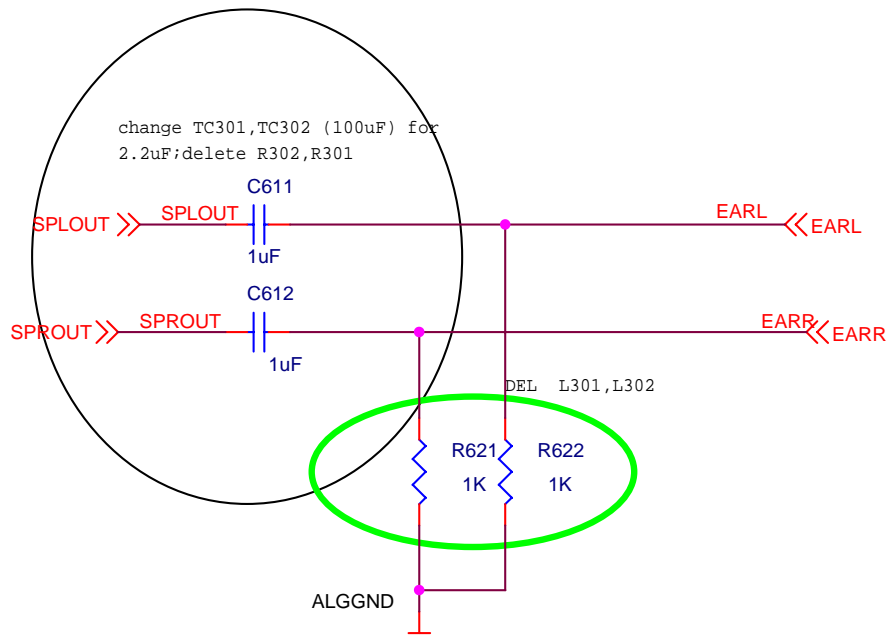
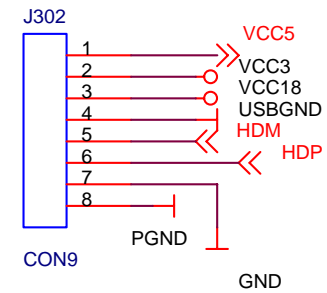
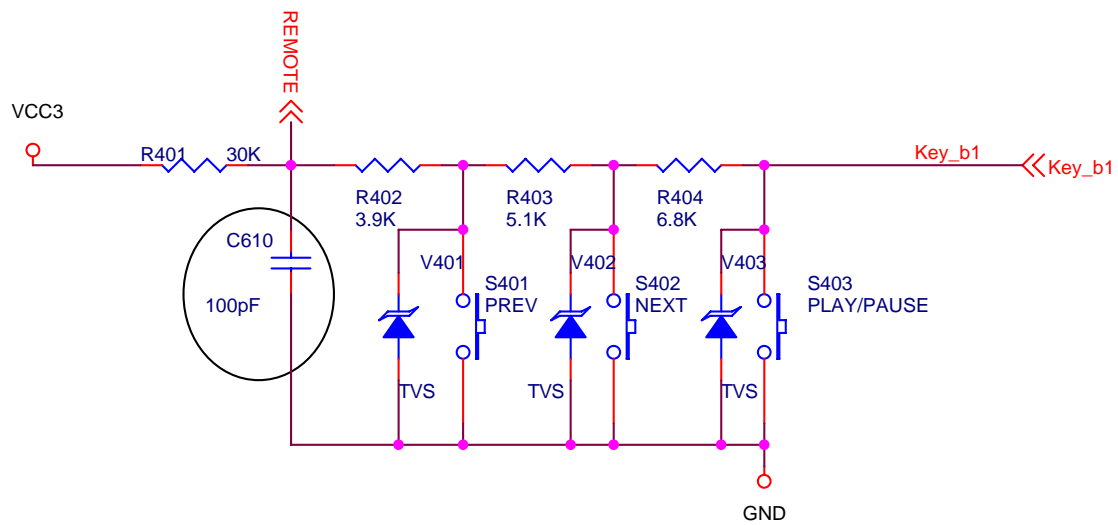
- GPIO0 USB\_DETECT
- GPIO1 LCM\_RESET
- GPIO2 seven\_color\_0 or P3.6 (LCM WR) / TScreen DCLK
- GPIO3 Suspend
- GPIO4 A16
- GPIO5 A17
- GPIO6 FM\_CLK/musicLED
- GPIO7 FM\_DATA/voiceLED
- P10 seven\_color\_1 of EL backlight or 背光开关
- P11 LOCK\_KEY or Tscreen Dout
- P12 LCM\_A0/Tscreen Din
- P13 LCM\_CLK/LCM chip select
- P14 LCM\_SI/Tscreen chip select
- P30 Seven\_color\_2 or Charge dectct

Layout guide:  
 1.The routing of USB and OSC is as better as shorter.And the routing must be not accrossed by other routing.  
 2.Both routing of USB must be parallel and is arc as soon as possible.  
 3.10uH inductance must be closed to IC. 所有10uH电感两端的线要粗短。

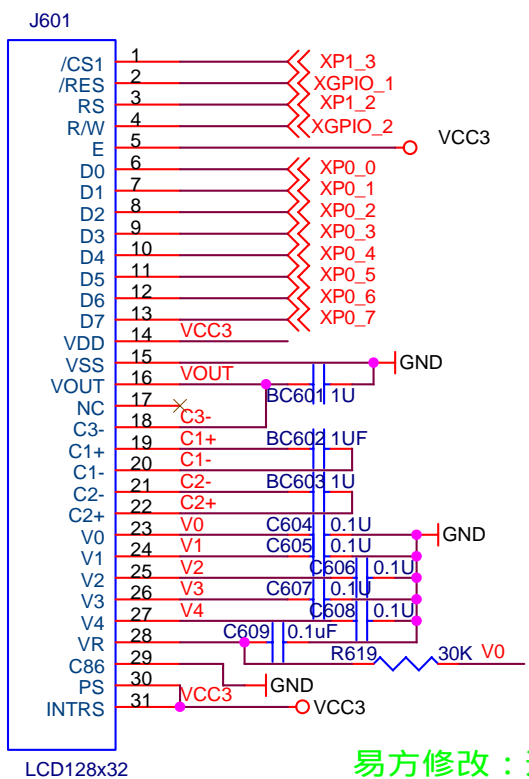
S1		
File	SPDA1000/2000 EVB4.0	
Size	Document Number	Rev
C	SPDA1K2K_EV Chip	1.0
Date	Thursday, December 29, 2005	Sheet 1 of 6



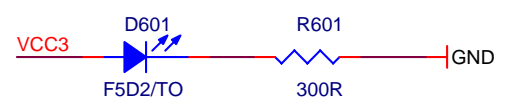
S1		
Title SPDA1000/2000 EVB4.0		
Size A	Document Number USB & ROM & TEST	Rev 1.0
Date:	Thursday, December 29, 2005	Sheet 2 of 6



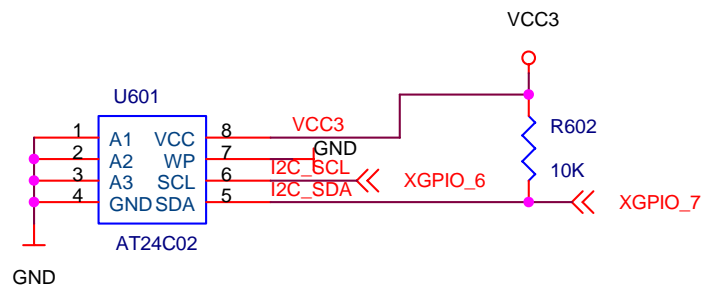
S1		
Title SPDA1000/2000 EVB4.0		
Size A	Document Number MIC & PHONE & LED & RESET	Rev 1.0
Date:	Thursday, December 29, 2005	Sheet 3 of 6



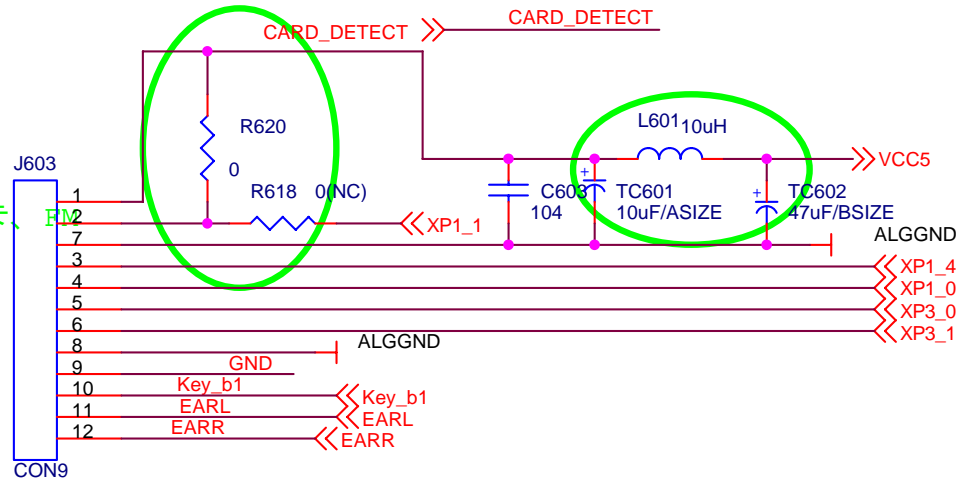
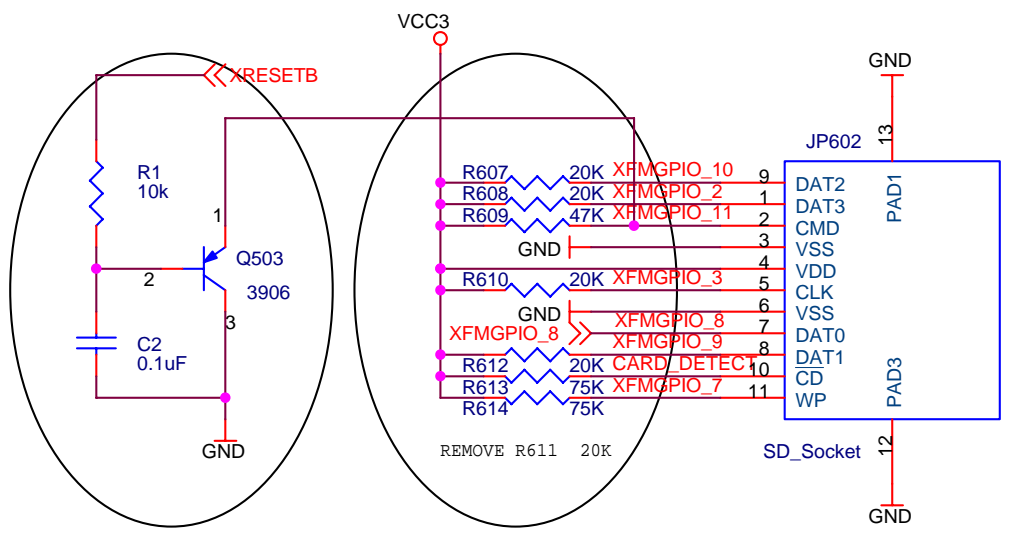
易方修改：这是修改后的LCD、SD卡、发射模块接口。  
LCD资料请看附件



易方修改：背光



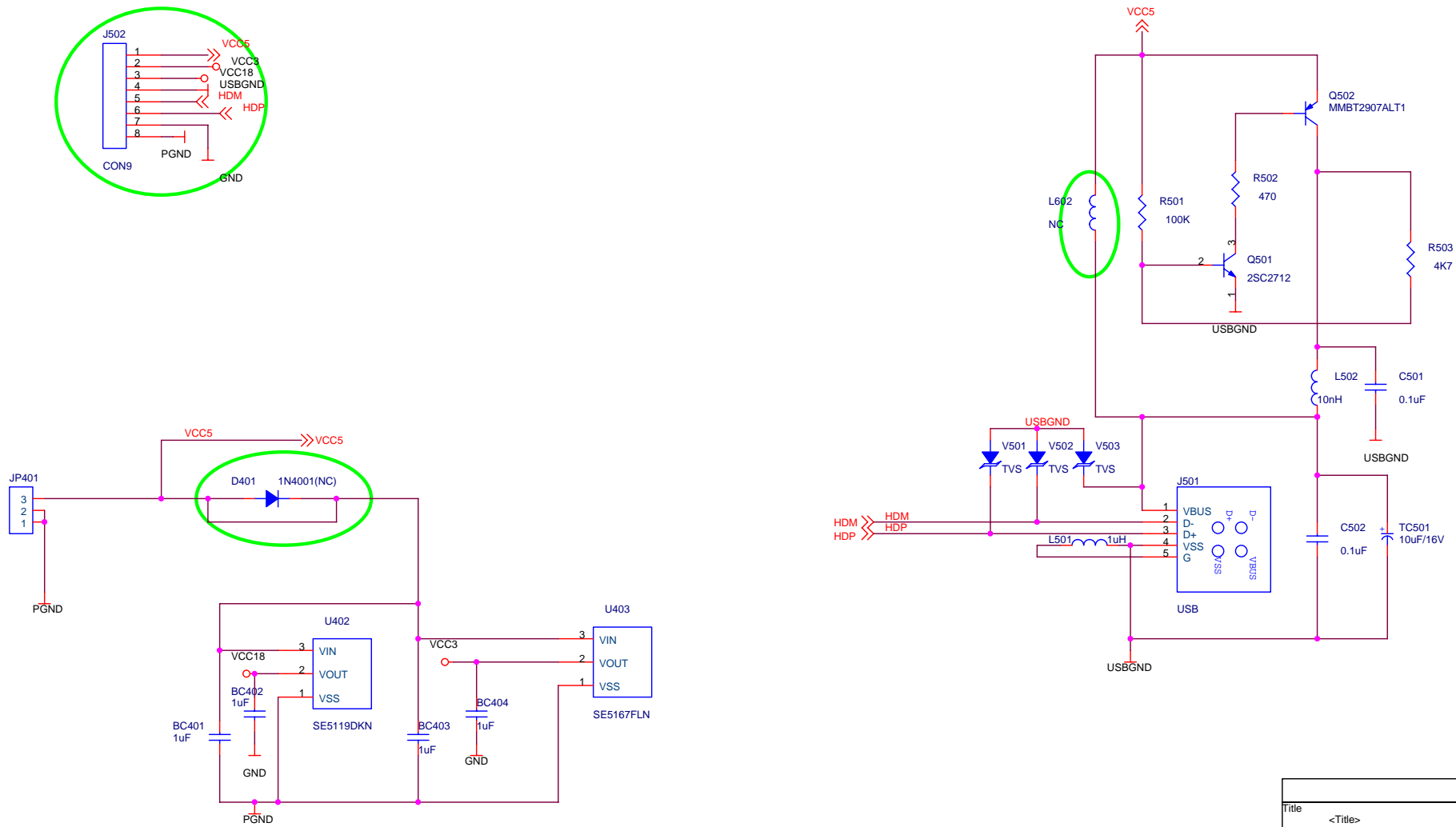
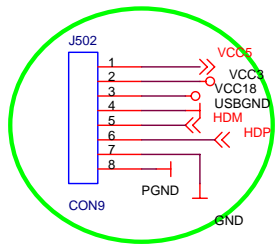
易方修改：增加2402，记忆FM频段等信息  
I/O未分配，请分配I/O



易方修改：这是FM接口考虑到HY1415、HY1417两个方案的兼容性，所以用FMD0、FMD1、FMD2、FMD3这4条数据线

Title			<Title>
Size	Document Number	Rev	
A	<Doc>	1.0	
Date:	Thursday, December 29, 2005	Sheet	4 of 6

1. SPCA1010正常处于Device状态, USB5\_OUT常低;
2. USB3\_OUT脉冲输出, 提供usb电源上的3.3v间隔供电;
3. 当USB3\_OUT输出High时, Device\_DET为High, 说明插上U盘;
4. 当USB3\_OUT输出Low时, Host\_DET为High, 说明插上PC。



Title		
<Title>		
Size	Document Number	Rev
B	<Doc>	1.0
Date:	Thursday, December 29, 2005	Sheet 6 of 6

