

EM191F USER GUIDE

1 Product Overview

Thanks for using EM191F Car MP3 player!

EM191F Car MP3 player read the MP3 audio file in the USB flash disk and transfer the audio signal to the car FM tuner through the built-in FM transmitter. You enjoy the MP3 music through the car FM tuner. It also has LINE-IN feature which transfers the audio source from the external audio device such as CD, MD player to the car FM tuner. Just insert the USB flash disk which stores MP3 or WMA files to the USB port or connect to an external audio device, and adjust the car FM tuner to the channel which is indicated on the car MP3 player, now you can enjoy your favorite music.

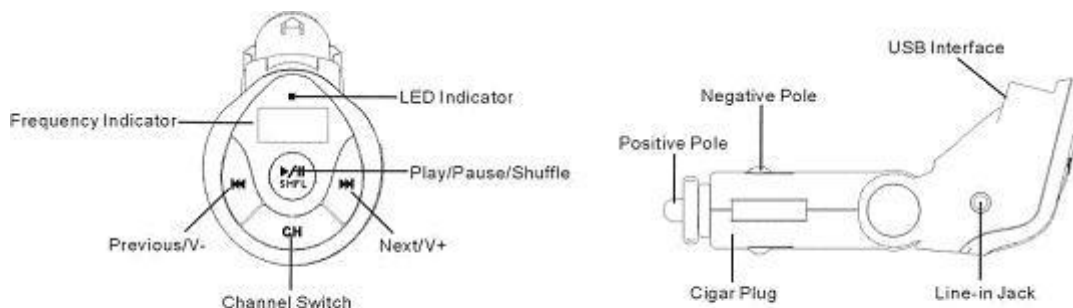
2 Features

- MP3/WMA player
Read MP3/WMA file from the USB flash disk directly and broadcast through the car FM tuner.
Provide four keys to control the playback: PLAY/PAUSE/SHFL, PREV/V-, NEXT/V+ and CH.
- FM transmitter
Transmit music from external audio player (CD, MD player etc.) to the FM radio.
- Two optional play mode: Normal and Random
- Frequency Display and work state (play, pause or shuffle) indicator
- Rotary joint design convenient for you to adjust the device's position
- 12 preset channels within 88.1~88.9 and 106.7~107.9 MHz.
- Car cigarette lighter power supply (12V DC power)
- Restore the last frequency, track number and volume when you restart the device.

3 Package Content

- Main Unit
- Line-in Cable
- Safety Tube
- Safety Tube Installation Guide

4 Device Diagram



5 Operations

5.1 Listening to music

+ Use the USB flash disk as audio source

- (1) Insert the cigar plug of car MP3 player into the car cigar socket to draw 12 V DC power.
- (2) Plug the USB flash disk that stores MP3 files into the USB port.
- (3) Press the "CH" key to select the preset channel without signal interference. You see the selected frequency indicated on the display.
- (4) Tune the car FM radio to the same channel as indicated on the display. Now you can enjoy MP3/WMA music with excellent quality through the FM stereo audio set.

+ LINE-IN Function

The device supports LINE-IN feature that enables you to enjoy the music from an external audio device such as CD, MD player. The external audio source comes into the car MP3 player through the line-in jack and is transmitted to the car FM tuner by the built-in FM transmitter. You enjoy the music through the FM stereo audio system.

To enjoy the music on the external audio device through the FM radio:

- (1) Connect one end of the LINE-IN cable to the line-in jack of the car MP3 player and connect the other end to the earphone jack of the external audio device.
- (2) Turn on the external audio player and play the music.
- (3) Press the "CH" key to select the preset channel without signal interference. You see the selected frequency indicated on the display.
- (4) Tune the car FM radio to the same channel as indicated on the display. Now you can enjoy music with excellent quality through the FM stereo audio set.

5.2 Playback Control

+ Play/Pause

Press the ▶/|| key to play the MP3/WMA file on the USB flash disk. The frequency is indicated on the display. To pause during playback, press the ▶/|| key, the red LED stops flashing and is steadily on. To resume, press it again.

+ Previous/Next

Press the ◀◀ key to play the previous track or press the ▶▶ key to play the next track.

+ Switch Play Mode

This device provides two play modes: Normal and Random. You can switch the play modes by pressing and holding the ▶/|| key for a while.

During normal playback, the red LED flashes slowly. During random playback, the red LED flashes quickly.

+ Switch Channel

Press the "CH" key to switch between 12 preset channels. The 12 preset channels includes 88.1, 88.3, 88.5, 88.7, 88.9, 106.7, 106.9, 107.1, 107.3, 107.5, 107.7, 107.9 MHz. When you switch to a certain channel, the frequency is indicated on the display.

+ Adjust Volume

Press and hold the ◀◀ key to decrease volume, or press and hold the ▶▶ key to increase volume.

Note: When you use the LINE-IN function, the four keys except "CH" key are unavailable. You listen to the music by operating the control keys on the external audio player.

6 Technical Specifications

Item	Description
USB Interface	USB1.1 (USB2.0 Compatible)
FM frequency range	88.1~88.9MHz, 106.7~107.9MHz
SNR	85dB
Output Frequency	20HZ-20KHZ
Supported File	MP3, WMA
Audio Source	USB flash disk or audio player
Bit Rate	32Kbps—256Kbps

7 Notice

1. Operation voltage for the device is +12V. Too high or too low voltage could cause the device damaged or failed.
2. For the sake of safety, please insert the USB flash disk before you plug the device into the car cigar socket.
3. The device supports most USB flash disks except a few.
4. Frequency of the car FM tuner should be the same as that of the car MP3 player.
5. You'd better not pull out the USB flash disk during playback. Pause the playback first.
6. The progress may be slow when the USB flash disk stores too many audio files.
7. In order to extend the device life, please do not keep it in use for too long.

FCC NOTICE

1. **This device complies with Part 15 of the FCC Rules.**
Operation is subject to the following two conditions:
(1) This device may not cause harmful interference, and
(2) This device must accept any interference received, including interference that may cause undesired operation.
2. **Changes or modifications not expressly approved by the party responsible for compliance could void the user's authority to operate the equipment.**