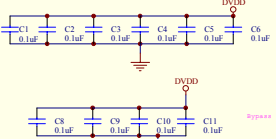
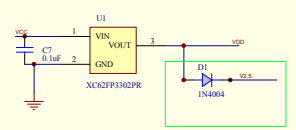
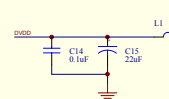


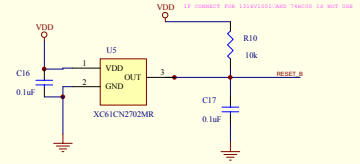
Note: In normal function mode, probe\_model and probe\_model are floating. Note: In mass production mode, probe\_model connect with probe\_model and probe\_model connect with probe\_model. Note: 1, Black and Black are not on PCB board; but on production test.



Suppose negative connect to another chip's VDD0

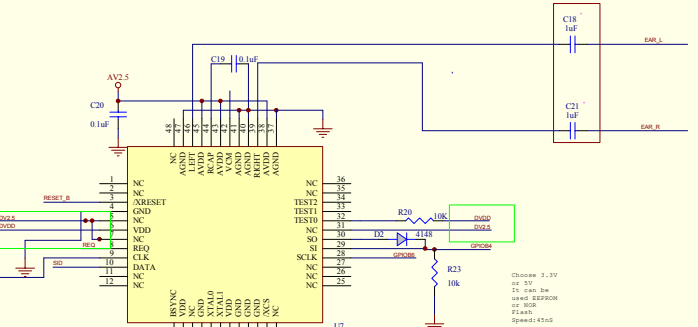


NO CONNECT FOR 1316V1011

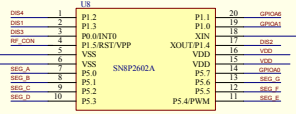
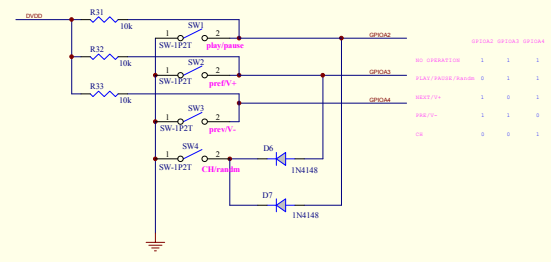
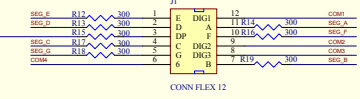


Use 1316V1011 jump to 1316V1011 and 510

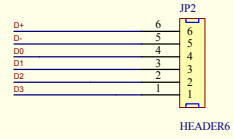
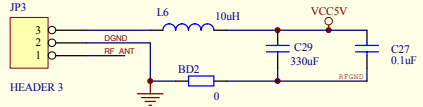
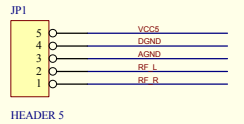
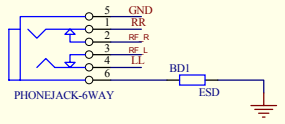
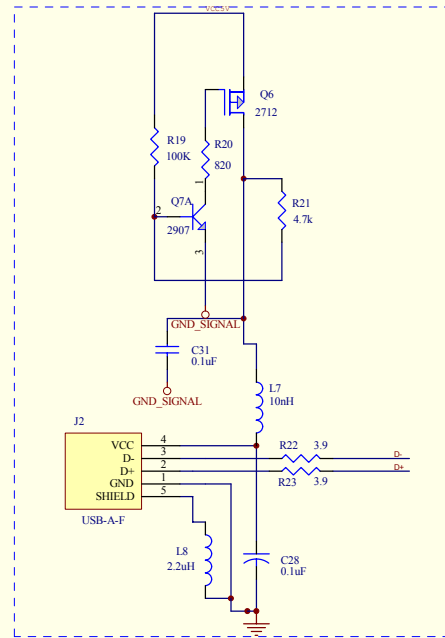
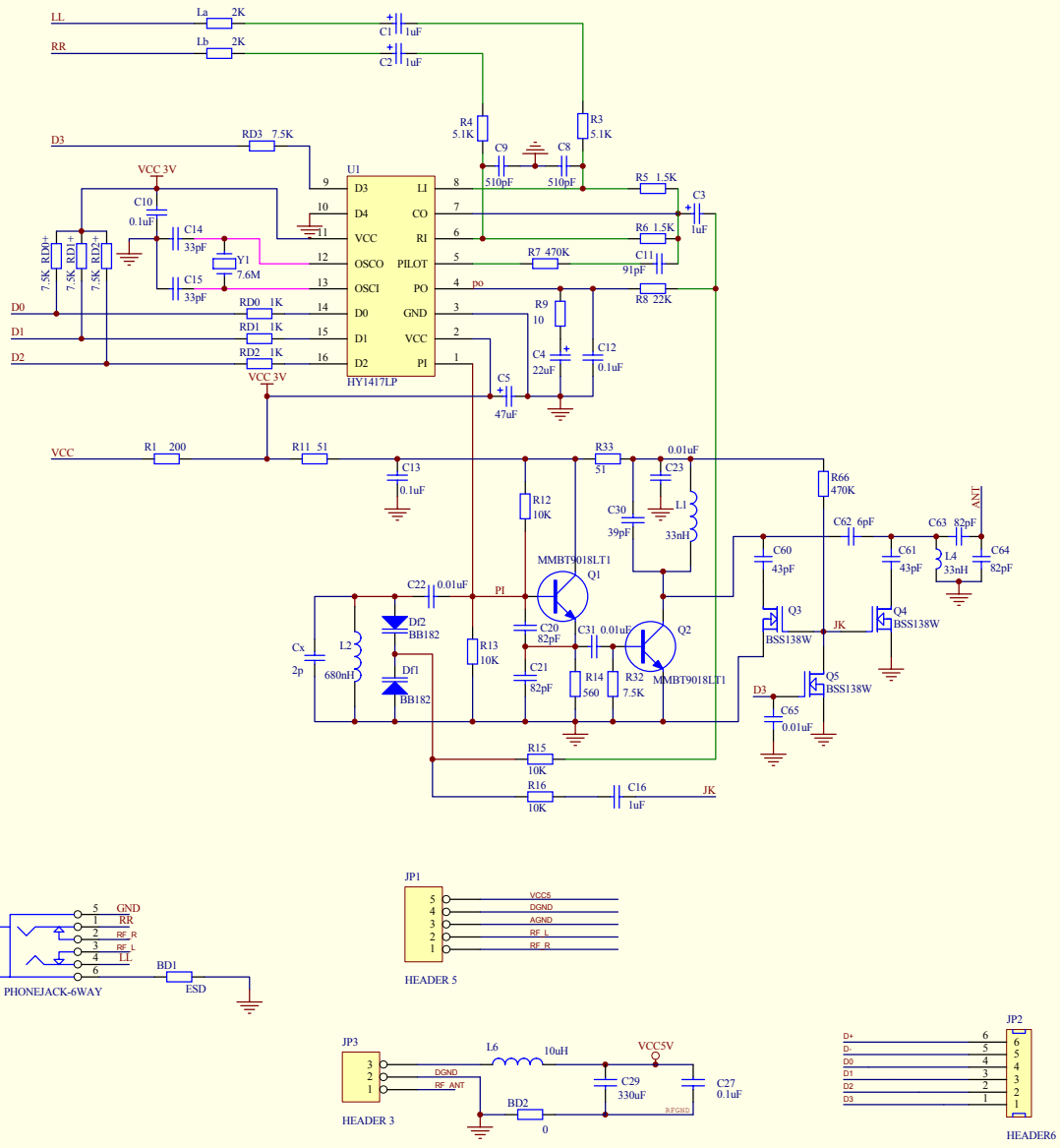
DS 02546 FOR 1316V1011



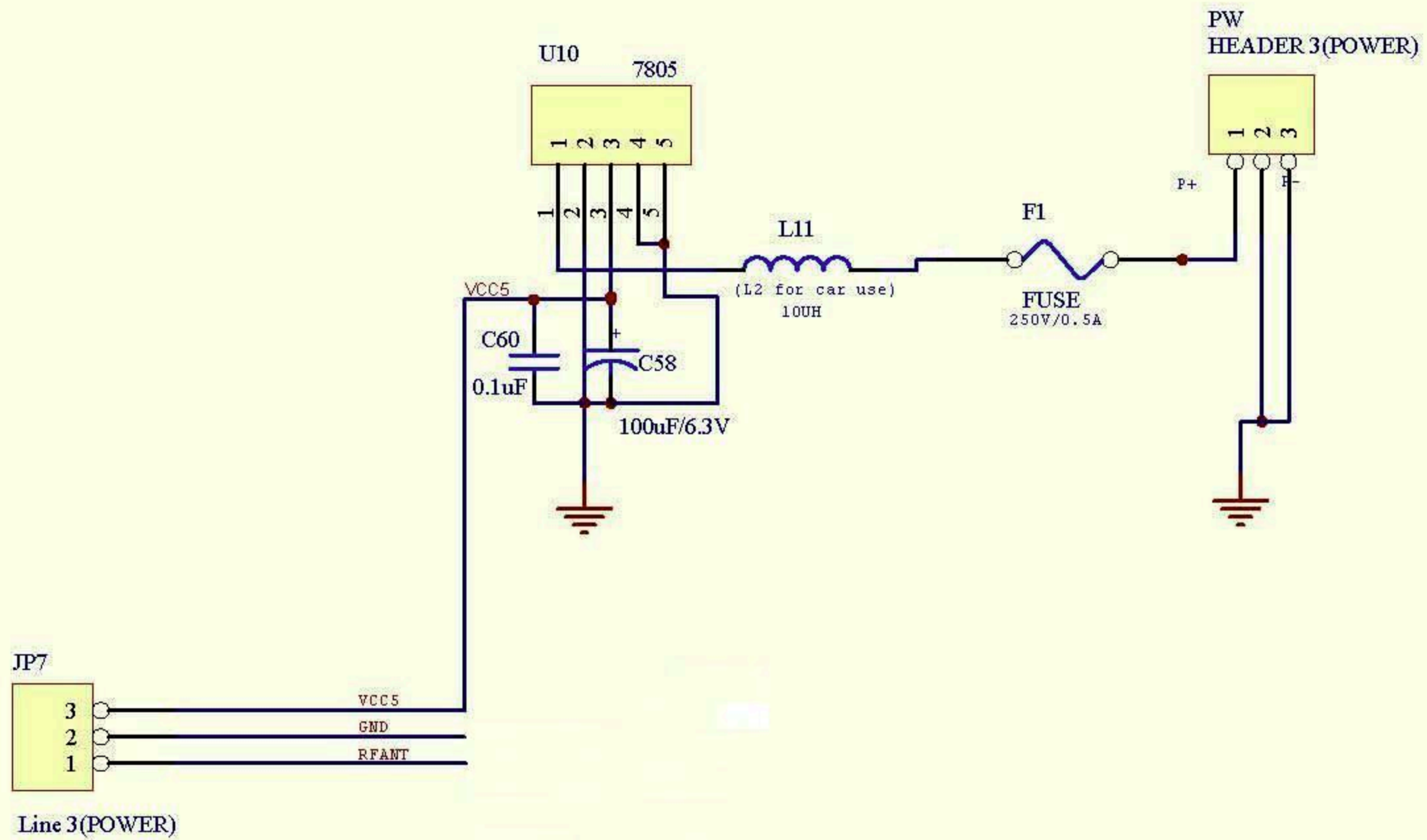
Choose 3.3V or 5V. It can be used. ERROR of PCB Flash Speed:45ms



Title	OT16888 VLSI 316		
Size	Number	Revision	
B			
Date	21-Jun-2005		Sheet of
File	F:\EM191\pcb\MDesign.dtb		Drawn By:



Title		
<b>FOR RF SMALL MODULE</b>		
Size	Number	Revision
B		
Date:	16-Aug-2005	Sheet of
File:	E:\EM191\pcb\MyDesign.ddb	Drawn By:



Title		
Size	Number	Revision
Orcad A		
Date:	23-Jun-2005	Sheet of
File:	E:\EMI91\pcb\MyDesign.ddb	Drawn By: