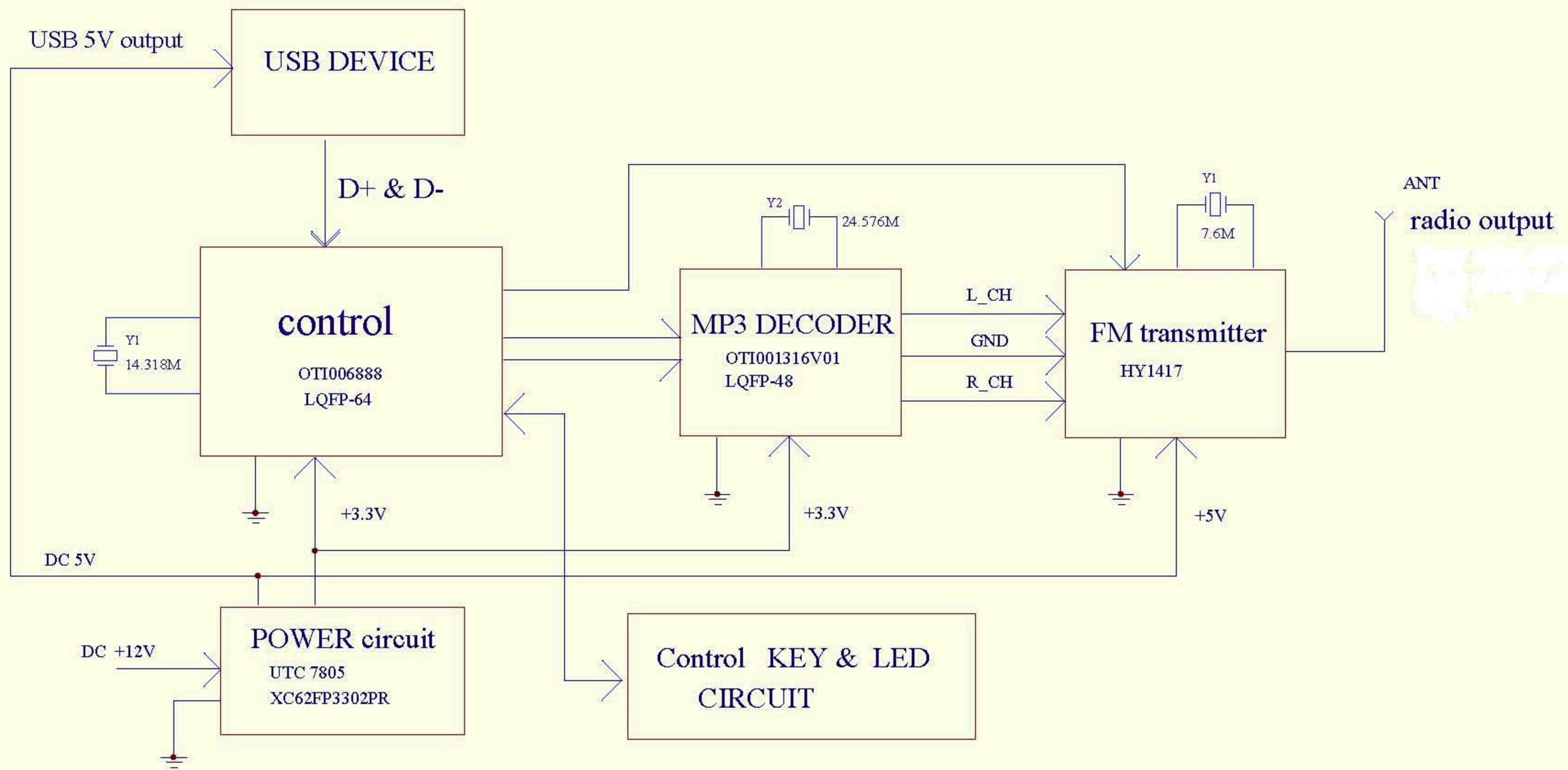


BLOCK of EM190F



Title			BLOCK of EM190F		
Size	Number	Revision			
A3					
Date:	28-Mar-2005	Sheet of			
File:	EAEM190 FM.tpcb file\MyDesign.ddb	Drawn By:	younger		