

6

5

4

3

2

1

D

D

C

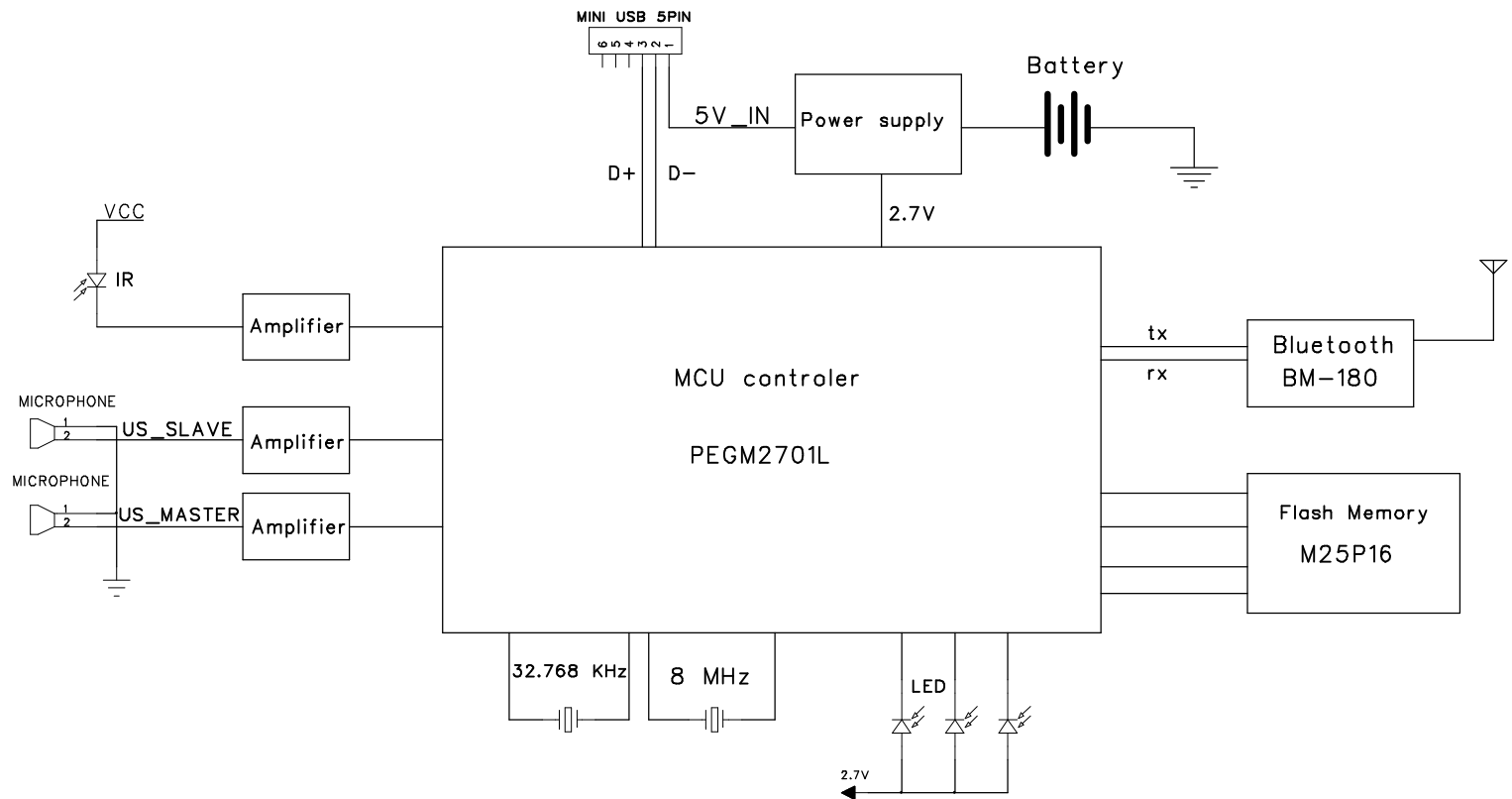
C

B

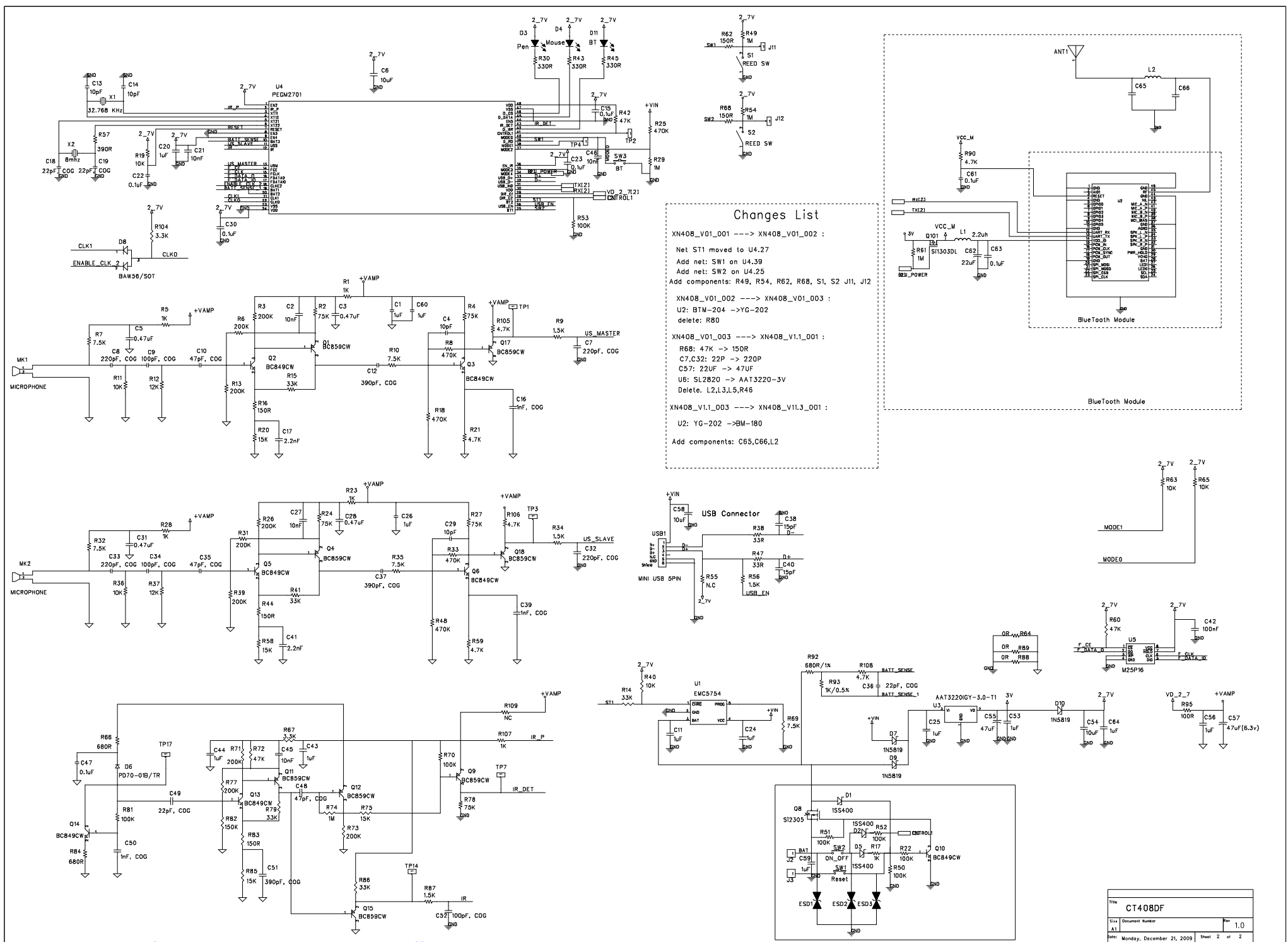
B

A

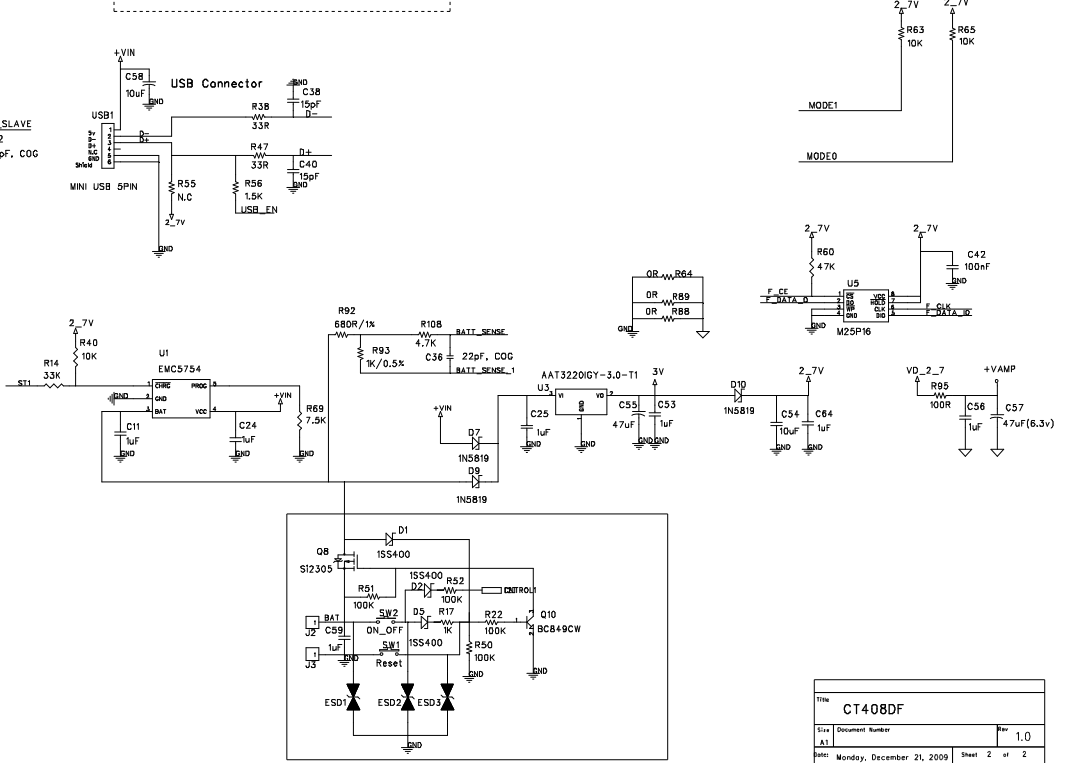
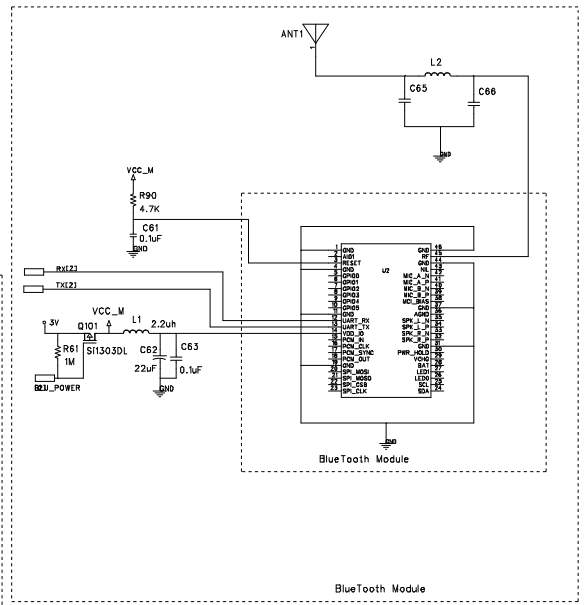
A



TITLE: CT408DF Diagram			
CODE:	SIZE: A1	DRAWING NO:	REV: 1.0
SCALE:		SHEET: 1 OF 2	



- ### Changes List
- XN408_V01_001 ----> XN408_V01_002 :
 Net ST1 moved to U4.27
 Add net: SW1 on U4.39
 Add net: SW2 on U4.25
 Add components: R49, R54, R62, R68, S1, S2 J1, J12
 - XN408_V01_002 ----> XN408_V01_003 :
 U2: BTM-204 ->YG-202
 delete: R80
 - XN408_V01_003 ----> XN408_V1.1_001 :
 R68: 47K -> 150R
 C7,C32: 22P -> 220P
 C57: 22uF -> 47uF
 U6: SL2820 -> AAT3220-3V
 Delete: L2,L3,L5,R46
 - XN408_V1.1_003 ----> XN408_V11.3_001 :
 U2: YG-202 ->BM-180
 Add components: C65,C66,L2



Title		CT408DF	
Size	Document Number	Rev	1.0
A1			
Date		Monday, December 21, 2009	Sheet 2 of 2