

6

5

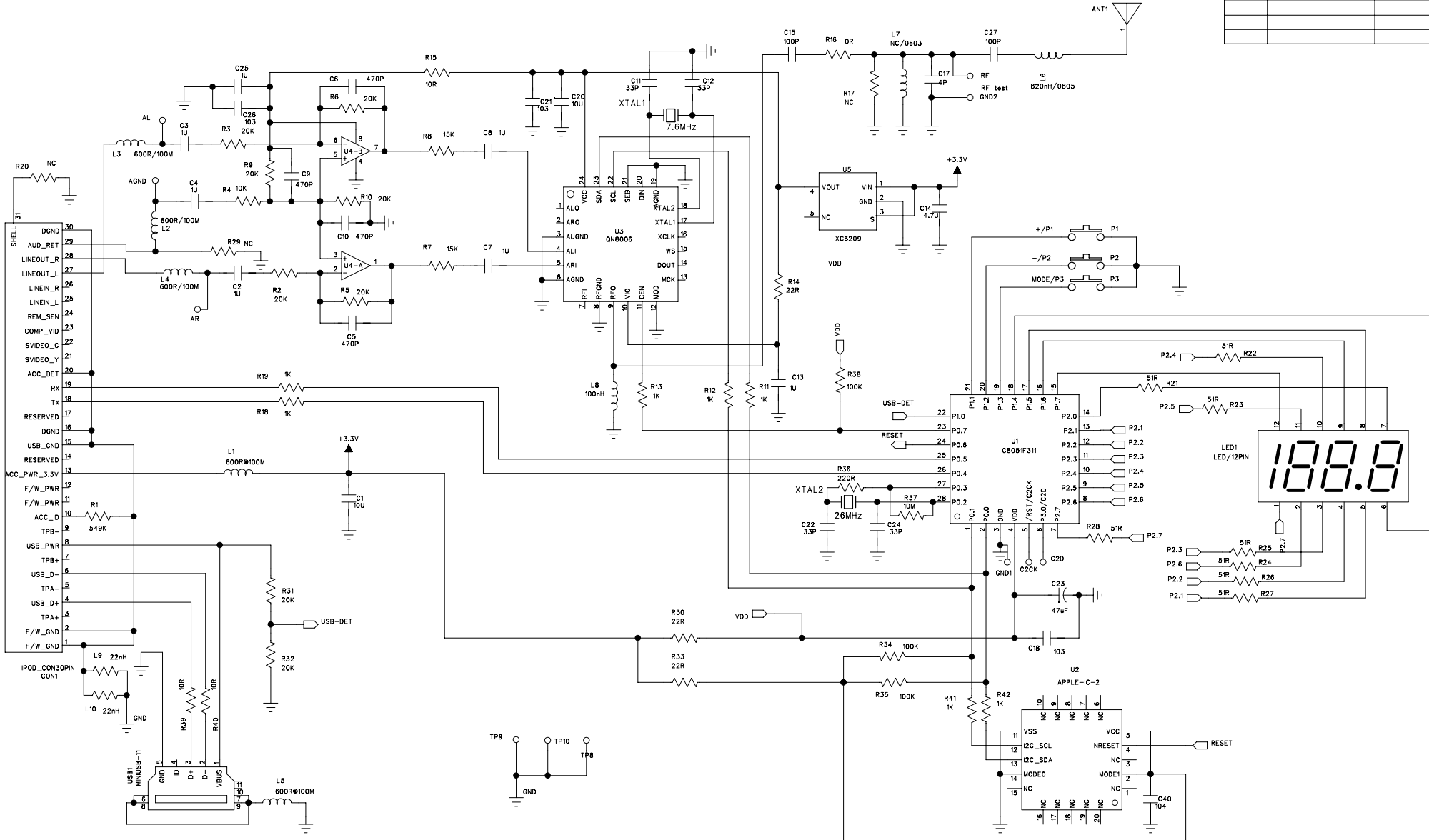
4

3

2

1

REVISION RECORD			
LTR	ECO NO:	APPROVED:	DATE:



COMPANY:	
TITLE: FMT MT300 MB	
DATE: 2009-04-12	MODEL: MT300 V1.0
DRAWN BY: gwzhong	DRAWING NO: PCB V1
CHECKED BY: Tongzhichu	REV: 00
APPROVED BY:	SCALE: SHEET: 1 OF 1

D

D

C

C

B

B

A

A