

# TEST REPORT

## 1. Applicant

Name : Sena Technologies, Inc.  
Address : 210 Yangjae-dong Seocho-gu Seoul 137-130 Korea

## 2. Products

EUT Type : Bluetooth USB Adapter  
Model Name : Parani-UD100  
Manufacturer : Sena Technologies, Inc.

## 3. Test Standard

: FCC 47 CFR § 2.1093

## 4. Test Method

: OET Bulletin 65, Supplement C(July 2001)

## 5. Test Result

: Positive

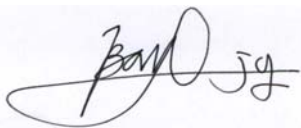
## 6. Date of Application

: January. 15th, 2009

## 7. Date of Issue

: January. 23rd, 2009

Tested by



Jong-Gon Ban

Telecommunication Center  
Engineer

Approved by



Jeong-Min Kim

Telecommunication Center  
Manager

*The test results contained apply only to the test sample(s) supplied by the applicant, and this test report shall not be reproduced in full or in part without approval of the KTL in advance.*

## Korea Testing Laboratory

## TABLE OF CONTENTS

<b>1. Equipment Under Test</b>	
1.1 General Information.....	4
1.2 Description of Device.....	4
<b>2. Introduction</b>	
2.1 SAR Definition.....	5
<b>3. Description of SAR Measurement System</b>	
3.1 SAR Measurement System .....	6
3.2 E-Field Probe Type and Performance.....	7
3.3 Probe Calibration Process.....	8
3.4 Data Acquisition Electronics.....	9
3.5 Phantom Properties.....	9
3.6 Device Holder for DASY4.....	9
3.7 Brain & Muscle Simulating Mixture Characteristic.....	10
<b>4. SYSTEM Verification</b>	
4.1 Tissue Verification.....	10~11
4.2 System Validation.....	11
<b>5. SAR measurement procedure using DASY4.....</b>	<b>12</b>
<b>6. Measurement Uncertainty.....</b>	<b>13</b>
<b>7. Description of Test Position</b>	
7.1 Cheek Position.....	14
7.2 Tilt Position.....	15
7.3 Body Holster/ Belt-Clip Configuration.....	15~16
<b>8. FCC RF Exposure Limits.....</b>	<b>16</b>

<b>9. FCC Multi-TX and Antenna SAR Considerations</b> .....	17
<b>10. SAR Measurement Results</b> .....	18
<b>11. Conclusion</b> .....	19
<b>12. Equipment List and Calibration Details</b> .....	20
<b>13. References</b> .....	21
.	
<b>Appendix A. SAR PLOTS</b>	
<b>Appendix B. Calibration Data Sheets</b>	
<b>Appendix C. SAR measurement setup photos</b>	

## 1. EQUIPMENT UNDER TEST

### 1.1 General Information

- 1) **EUT Type** : Bluetooth USB Adapter
- 2) **Device Category** : Portable Device
- 3) **Model Name** : Parani-UD100
- 4) **FCC ID** : S7APARANIUD100
- 5) **Test Device** : Production Unit
- 6) **Applicant & Address** : Sena Technologies, Inc.  
210 Yangjae-dong Seocho-gu Seoul 137-130 Korea
- 7) **Contact** : himisosa@sena.com (Tel : +82-2-571-8283, Fax : +82-2-573-7710)
- 8) **Rule and Test Standard** : FCC 47 CFR § 2.1093; OET Bulletin 65, Supplement C(July 2001)  
, KDB 447498 D02 SAR procedures for Dongle Xmtr v01
- 9) **FCC Classification** : PUT - Part 15 Unlicensed PCS portable Tx worn on body
- 10) **RF exposure Category** : General Population/Uncontrolled
- 11) **Maximum SAR** : 0.138 W/kg Body 1g-SAR

Operation Modes	Bluetooth 2.0 + EDR
Max Conducted RF Power	14.4 dBm
Tx Frequency Range	2402.0 ~ 2480.0MHz
Bluetooth Power Class	1
Duty Cycle	1:1
Power Supply	USB port
Antenna Type	External Ant. (max gain 5.02 dBi)

### 1.2 Description of Device :

## 2. INTRODUCTION

The FCC has adopted the guidelines for evaluating the environmental effects of radio frequency(RF) radiation in ET Docket 93-62 on Aug. 6, 1996 to protect the public and workers from the potential hazards of RF emission due to FCC-regulated portable devices.[1]

The safety limits used for the environmental evaluation measurements are based on the criteria published by American National Standards Institute (ANSI) for localized specific absorption rate (SAR) in IEEE/ANSI C95.1-1992 Standard for safety Levels with Respect to Human Exposure to Radio Frequency Electromagnetic Fields, 3 kHz to 300 GHz. (c) 1992 by the Institute of Electrical and Electronics Engineers, Inc., New York, New York 10017.[2] The measurement procedure described in IEEE/ANSI C95.3-1992 Recommended Practice for the Measurement of Potentially Hazardous Electromagnetic Fields – RF and Microwave[3] is used for guidance in measuring SAR due to the RF radiation exposure from the Equipment Under Test (EUT). These criteria for SAR evaluation are similar to those recommended by the National Council on Radiation Protection and Measurements(NCRP) in Biological Effects and Exposure Criteria for Radiofrequency Electromagnetic Fields “NCRP Report No. 86 (c) NCRP, 1986, Bethesda, MD 20814.[4] SAR is a measure of the rate of energy absorption due to exposure to an RF transmitting source. SAR values have been related to threshold levels for potential biological hazards.

### 2.1 SAR Definition

Specific Absorption Rate (SAR) is defined as the time derivative (rate) of the incremental energy ( $dU$ ) absorbed by (dissipated in) an incremental mass ( $dm$ ) contained in a volume element ( $dV$ ) of a given density( $p$ ). It is also defined as the rate of RF energy absorption per unit mass at a point in an absorbing body. (see Figure.1)

$$SAR = \frac{d}{dt} \left( \frac{dU}{dm} \right) = \frac{d}{dt} \left( \frac{dU}{p dv} \right)$$

**Figure 1. SAR Mathematical Equation**

SAR is expressed in units of Watts per Kilogram (W/kg).

$$SAR = \sigma E^2 / \rho$$

Where :

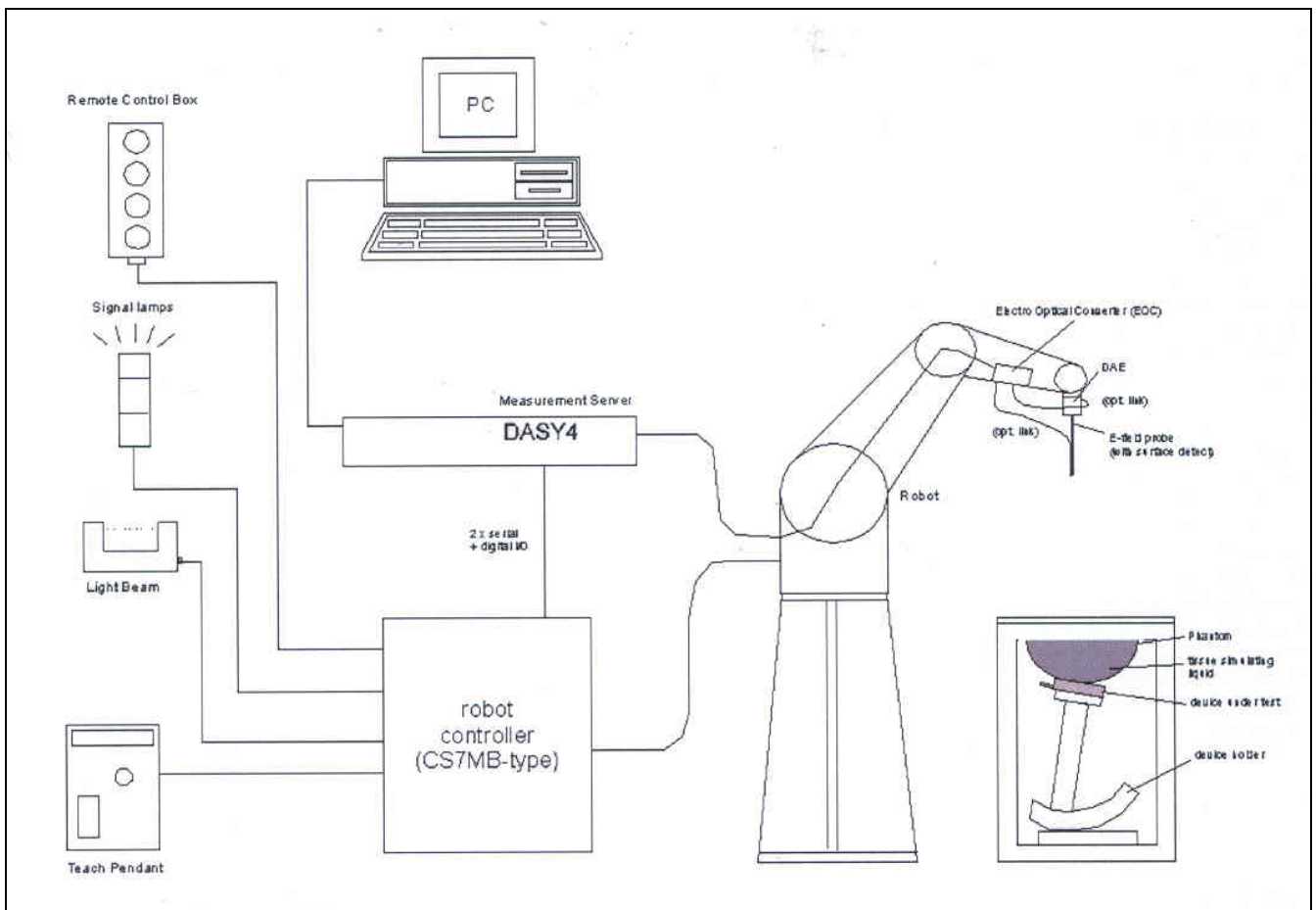
- $\sigma$  = conductivity of the tissue-simulant material (S/m)
- $\rho$  = mass density of the tissue-simulant material (kg/m<sup>3</sup>)
- $E$  = Total RMS electric field strength (V/m)

Note: The primary factors that control rate or energy absorption were found to be the wavelength of the incident field in relation to the dimensions and geometry of the irradiated organism, the orientation of the organism in relation to the polarity of field vectors, the presence of reflecting surfaces, and whether conductive contact is made by the organism with a ground plane.[4]

### 3. DESCRIPTION OF SAR MEASUREMENT SYSTEM

#### 3.1 SAR Measurement System

These measurements are performed using the DASY4 automated dosimetric assessment system. It is made by Schmid & Partner Engineering AG (SPEAG) in Zurich, Switzerland and consists of high precision robotics system (Staubli), robot controller, measurement server, Measurement computer, near-field probe, probe alignment sensor, and the SAM twin phantom containing the brain equivalent material. The robot is a six-axis industrial robot performing precise movements to position the probe to the location (points) of maximum electromagnetic field (EMF) (see Fig.2).



**Figure 2. SAR Measurement System**

The DAE4 consists of a highly sensitive electrometer-grade preamplifier with auto-zeroing, a channel and gain-switching multiplexer, a fast 16 bit AD-converter and a command decoder and control logic unit. Transmission to the PC-card is accomplished through an optical downlink for data and status information and an optical uplink for commands and clock lines. The mechanical probe mounting device includes two different sensor systems for frontal and sidewise probe contacts. They are also used for mechanical surface detection and probe collision detection. The robot uses its own controller with a built in VME-bus computer. The system is described in detail in [5].

### 3.2 E-Field Probe Type and Performance

The SAR measurements were conducted with the dosimetric probe ET3DV6, (see Figure 4) designed in the classical triangular configuration [5] and optimised for dosimetric evaluation. The probe has been constructed using the thick film technique; with printed resistive lines on ceramic substrates. The probe is equipped with an optical mortar line ending at the front of the probe tip. It is connected to the EOC box on the robot arm and provides an automatic detection of the phantom surface. Half of the fibers are connected to a pulsed infrared transmitter, the other half to a synchronized receiver. As the probe approaches the surface, the reflection from the surface produces a coupling from the transmitting to the receiving fibers. This reflection increases first during the approach, reaches a maximum and then decreases. If the probe is flatly touching the surface, the coupling is zero. The distance of the coupling maximum to the surface is independent of the surface reflectivity and largely independent of the surface to probe angle. The DASY4 software reads the reflection during a software approach and looks for the maximum using a 2<sup>nd</sup> order fitting. The approach is stopped at reaching the maximum.



Figure 3. Probe and DAE

#### Probe Specifications

Construction	Symmetrical design with triangular core Built-in optical fiber for surface detection System Built-in shielding against static charges
Calibration	In air from 10 MHz to 2.5 GHz In brain and muscle simulating tissue at Frequencies of 450 MHz, 900 MHz and 1.8 GHz (accuracy . 8%)
Frequency	10 MHz to > 6 GHz; Linearity: . 0.2 dB (30 MHz to 3 GHz)
Directivity	. 0.2 dB in brain tissue (rotation around probe axis) . 0.4 dB in brain tissue (rotation normal probe axis)
Dynamic Range	5 uW/g to > 100 mW/g;
Linearity	0.2 dB
Surface Detection	0.2 mm repeatability in air and clear liquids Over diffuse reflecting surfaces.
Dimensions	Overall length: 330 mm Tip length: 16 mm Body diameter: 12 mm Tip diameter: 6.8 mm Distance from probe tip to dipole centers: 2.7 mm
Application	General dissymmetry up to 3 GHz Compliance tests of mobile phones Fast automatic scanning in arbitrary phantoms

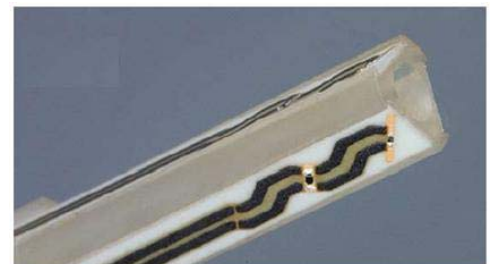


Figure 4. ET3DV6 E-Field Probe

### 3.3 Probe Calibration Process

#### Dosimetric Assessment Procedure

Each probe is calibrated according to a dosimetric assessment procedure described [6] with an accuracy better than +/- 10%. The spherical isotropy was evaluated with the procedure described in [7] and found to be better than +/- 0.25dB. The sensitivity parameters (NormX, NormY, NormZ), the diode compression parameter (DCP) and the conversion factor (ConvF) of the probe is tested.

The free space E-field from amplified probe outputs is determined in a test chamber. This is performed in a TEM cell for frequencies below 1 GHz, and in a waveguide above 1 GHz for free space. For the free space calibration, the probe is placed in the volumetric center of the cavity and at the proper orientation with the field. The probe is then rotated 360 degrees.

E-field temperature correlation calibration is performed in a flat phantom filled with the appropriate simulated brain tissue. The measured free space E-field in the medium correlates to temperature rise in a dielectric medium. For temperature correlation calibration a RF transparent thermistor-based temperature probe is used in conjunction with the E-field probe.

$$SAR = C \frac{\Delta T}{\Delta t}$$

where:

- $\Delta t$  = exposure time (30 seconds),
- C = heat capacity of tissue (brain or muscle),
- $\Delta T$  = temperature increase due to RF exposure.

SAR is proportional to  $\Delta T / \Delta t$ , the initial rate of tissue heating, before thermal diffusion takes place. Now it's possible to quantify the electric field in the simulated tissue by equating the thermally derived SAR to the E- field;

$$SAR = \frac{|E|^2 \cdot \sigma}{\rho}$$

where:

- $\sigma$  = simulated tissue conductivity,
- $\rho$  = Tissue density (1.25 g/cm<sup>3</sup> for brain tissue)

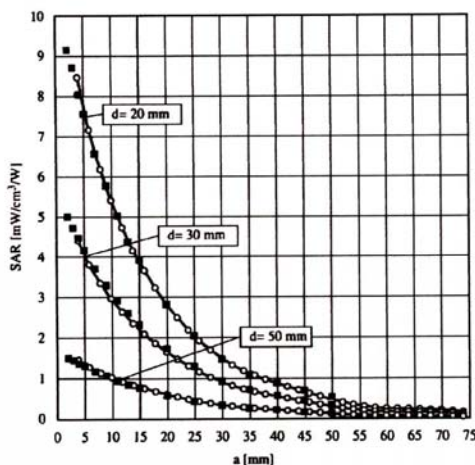


Figure B.1. E-Field and Temperature measurements at 900MHz[5]

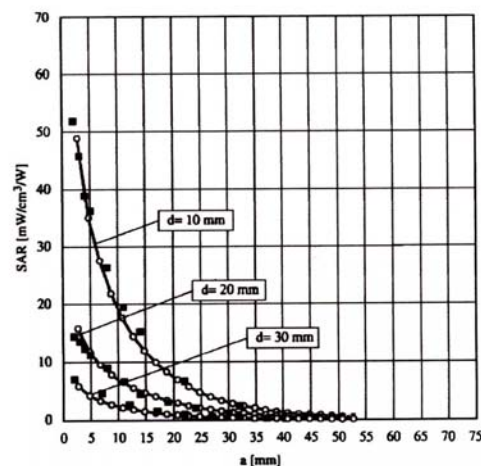


Figure B.2. E -field and temperature measurements at 1.8GHz[5]



### 3.4 Data Acquisition Electronics

The data acquisition electronics (DAE4) consists of a highly sensitive electrometer-grade preamplifier with auto-zeroing, a channel and gain switching multiplexer, a fast 16 bit AD-converter and a command decoder and control logic unit. The input impedance of the DAE4 box is 200 Mohm; the inputs are symmetrical and floating. Common mode rejection is above 80 dB. Transmission to the PC-card is accomplished through an optical downlink for data and status information as well as an optical uplink for commands and the clock.

The mechanical probe-mounting device includes two different sensor systems for frontal and sideways probe contacts. They are used for mechanical surface detection and probe collision detection.

### 3.5 Phantom Properties

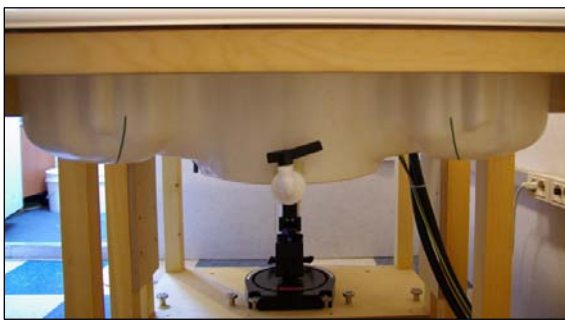


Figure 5. SAM twin phantom

The SAM Phantom is constructed of a fiberglass shell integrated in a wooden table. The shape of the shell is based on data from an anatomical study designed to determine the maximum exposure in at least 90% of all users [9][10]. It enables the dosimetric evaluation of left and right hand phone usage as well as body mounted usage at the flat phantom region. A cover prevents the evaporation of the liquid. Reference markings on the Phantom allow the complete setup of all predefined phantom positions and measurement grids by manually teaching three points in the robot.

Phantom Properties	Requirement for specific EUT	Measured
Depth of Phantom	> 150 mm	200 mm
Width of flat section	> 10 cm (Twice EUT Width)	20 cm
Length of flat section	> 26 cm (Twice EUT Length)	30 cm
Thickness of flat section	2 mm ± 0.2 mm	2.08 ~ 2.20 mm

Table 1. Flat Section Properties of SAM Twin Phantom

### 3.6 Device Holder for DASY4

In combination with the SAM Phantom V4.0, the Mounting Device(POM) enables the rotation of the mounted transmitter in spherical coordinates whereby the rotation points is the ear opening. The devices can be easily, accurately, and repeatably positioned according to the FCC CENELEC specifications. The device holder can be locked at different phantom locations(left head, right head, flat phantom).

Note: A simulating human hand is not used due to the complex anatomical and geometrical structure of the hand that may produced infinite number of configurations [10]. To produce the Worst-case condition (the hand absorbs antenna output power), the hand is omitted during the tests.



Figure 4. Device Holder

### 3.7 Brain & Muscle Simulating Mixture Characteristic

The brain and muscle mixtures consist of a viscous gel using hydroxyethylcellulose (HEC) gelling agent and saline solution (see Table 2). Preservation with bacteriacide is added and visual inspection is made to make sure air bubbles are not trapped during the mixing process. The mixture is calibrated to obtain proper dielectric constant (permittivity) and conductivity of the desired tissue. The mixture characterizations used for the brain and muscle tissue simulating liquids are according to the data by C. Gabriel and G. Hartsgrrove [11].

Ingredients	2450MHz Brain	2450MHz Muscle
Water	55.0%	68.64%
Sugar	-	-
Salt	-	-
DGBE	45.0%	31.37%
Bacteriacide	-	-
HEC	-	-

**Table 2 : Composition of Tissue Equivalent Matter**

## 4. System Verification

### 4.1 Tissue Verification

The dielectric parameters of the brain and muscle simulating liquid were measured prior to SAR assessment using the HP85070D dielectric probe kit and Agilent 8753D Network Analyzer. The actual dielectric parameters are shown in the following table.

Freq. [MHz]	Liquid	Date	Liquid Temp [°C]	parameters	Target Value	Measured Value	Deviation (%)	Limit (%)
2450	Head	Jan 20 <sup>th</sup> 2009	21.5	$\epsilon_r$	39.2	39.0	-0.5	$\pm 5$
				$\sigma$	1.80	1.81	+0.6	$\pm 5$
	Body	Jan. 20 <sup>th</sup> 2009	21.7	$\epsilon_r$	52.7	52.6	-0.2	$\pm 5$
				$\sigma$	1.95	1.99	+2.1	$\pm 5$

**Table 3 : Measured Simulating Liquid Dielectric Values**

The humidity and dielectric/ambient temperatures are recorded during the assessment of the tissue material dielectric parameters. The difference between the ambient temperature of the liquid during the dielectric measurement and the temperature during tests was less than  $|2|^\circ\text{C}$ .

## 4.2 System Validation



**Figure 5. Validation setup**

Prior to the SAR assessment, the system validation kit was used to verify that the DASY4 was operating within its specifications. The validation dipoles are highly symmetric and matched at the centre frequency for the specified liquid and distance to the phantom. The accurate distance between the liquid surface and the dipole centre is achieved with a distance holder that snaps onto the dipole. System validation is performed by feeding a known power level into a reference dipole, set at a known distance from the phantom. The measured SAR is compared to the theoretically derived level.

The reference SAR values are derived using a reference dipole and flat phantom suitable. The forward power into the reference dipole for each SAR validation was adjusted to 250 mW.

These reference SAR values are obtained from the IEEE Std 1528 and are normalized to 1 W. The measured 1g(10g) SAR should be within 10 % of the expected target reference values shown in table 4 below.

System Validation Kit	Date	Tissue	Liquid Temp.( $^\circ\text{C}$ )	Ambient Temp.( $^\circ\text{C}$ )	Targeted SAR <sub>1g</sub> (mW/g)	Measured SAR 1 g (mW/g)	Deviation (%)
2450V2 S/N:746	Jan. 20 <sup>th</sup> 2009	2450MHz Brain	21.5	21.0	52.4	52.0	- 0.8

**Table 4 : Deviation from Reference Validation Values**

During the SAR measurement process the liquid depth was maintained to a level of a least 15 tolerance of  $\pm 0.2\text{cm}$ . The following photo shows the depth of the liquid depth of the liquid maintained during the testing.



**Figure 6. Liquid Depth**

---

## **5. SAR MEASUREMENT PROCEDURE USING DASY4**

The SAR evaluation was performed with the SPEAG DASY4 system. A summary of the procedure follows ;

- a) A measurement of the SAR value at a fixed location is used as a reference value for assessing the power drop of the EUT. The SAR at this point is measured at the start of the test and then again at the end of the test.
- b) The SAR distribution at the exposed side of the phantom is measured at a distance of 3.9 mm from the inner surface of the shell. The area covers the entire dimension of the EUT and the horizontal grid spacing is 15 mm x 15 mm( or 20mm x 20mm). The actual Area Scan has dimensions surrounding the test device. Based on this data, the area of the maximum absorption is determined by Spline interpolation.
- c) Around this point, a volume is assessed by measuring 5 x 5 x 7 (7 x 7 x 7) points. On the basis of this data set, the spatial peak SAR value is evaluated with the following procedure ;
  - (i) The data at the surface are extrapolated, since the centre of the dipoles is 2.7 mm away from the tip of the probe and the distance between the surface and the lowest measuring point is 1.2 mm. The extrapolation is based on a least square algorithm[13]. A polynomial of the fourth order is calculated through the points in z-axes. This polynomial is then used to evaluate the points between the surface and the probe tip.
  - (ii) The maximum interpolated value is searched with a straightforward algorithm. Around this maximum the SAR values averaged over the spatial volumes (1 g and 10 g) are computed using the 3D-Spline interpolation algorithm. The 3D-Spline is composed of three one-dimensional splines with the “Not a knot”- condition (in x, y and z-direction)[13][14]. The volume is integrated with the trapezoidal-algorithm. One thousand points (10 x 10 x 10) are interpolated to calculate the averages.
  - (iii) All neighbouring volumes are evaluated until no neighbouring volume with a higher average value is found.
  - (iv) The SAR value at the same location as in Step (a) is again measured (If the value changed by more than 5%, the evaluation is repeatd.)

## 6. MEASUREMENT UNCERTAINTY

The uncertainty analysis is based on the template listed in the IEEE Std 1528-2003 for both EUT SAR tests and Validation uncertainty. The measurement uncertainty of a specific device is evaluated independently and the total uncertainty for both evaluations (95 % confidence level) must be less than 25 %.

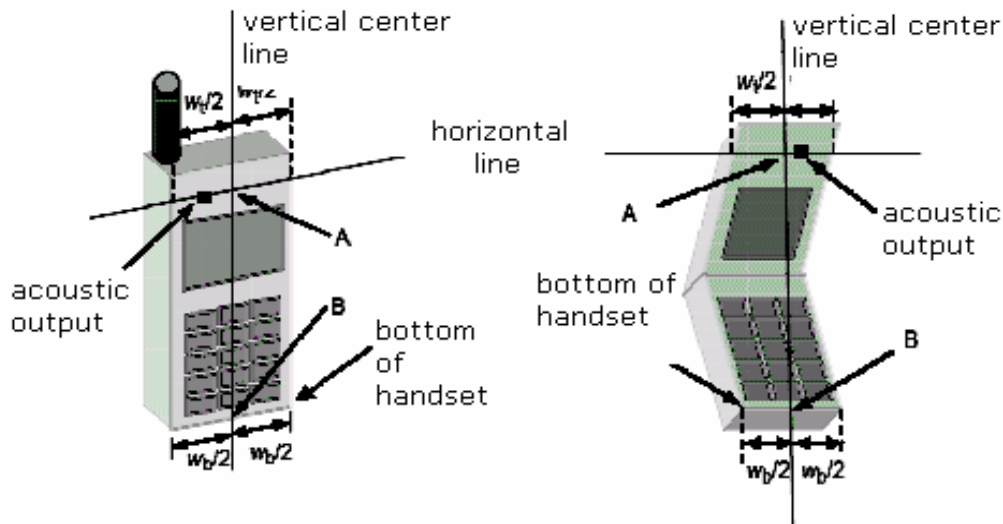
a	b	c	d	e= f(d,k)	f	g	h=cxf/e	i=cxg/e	k
Uncertainty Component	Sec.	Tol. (%)	Prob. Dist.	Div.	Ci (1 g)	Ci (10 g)	1 g Ui (± %)	10 g Ui (± %)	vi
<b>Measurement System</b>									
Probe Calibration (k=1)	E.2.1	5.9	N	1	1	1	5.9	5.9	∞
Axial Isotropy	E.2.2	4.7	R	√ 3	0.7	0.7	1.9	1.9	∞
Hemispherical Isotropy	E.2.2	9.6	R	√ 3	0.7	0.7	3.9	3.9	∞
Boundary Effect	E.2.3	1.0	R	√ 3	1	1	0.6	0.6	∞
Linearity	E.2.4	4.7	R	√ 3	1	1	2.7	2.7	∞
System Detection Limits	E.2.5	1.0	R	√ 3	1	1	0.6	0.6	∞
Readout Electronics	E.2.6	0.3	N	1	1	1	0.3	0.3	∞
Response Time	E.2.7	0.8	R	√ 3	1	1	0.5	0.5	∞
Integration Time	E.2.8	2.6	R	√ 3	1	1	1.5	1.5	∞
RF Ambient Noise	E.6.1	3.0	R	√ 3	1	1	1.7	1.7	∞
RF Ambient Reflections	E.6.1	3.0	R	√ 3	1	1	1.7	1.7	∞
Probe Positioner	E.6.2	0.4	R	√ 3	1	1	0.2	0.2	∞
Probe Positioning with respect to Phantom Shell	E.6.3	2.9	R	√ 3	1	1	1.7	1.7	∞
Algorithms for Max. SAR Evaluation	E.5	1.0	R	√ 3	1	1	0.6	0.6	∞
<b>Test Sample Related</b>									
Test Sample Positioning	E.4.2	2.9	N	1	1	1	2.9	2.9	145
Device Holder Uncertainty	E.4.1	3.6	N	1	1	1	3.6	3.6	5
Output Power Variation — SAR Drift Measurement	6.6.2	5.0	R	√ 3	1	1	2.9	2.9	∞
<b>Phantom and Tissue Parameters</b>									
Phantom Uncertainty (shape and thickness tolerances)	E.3.1	4.0	R	√ 3	1	1	2.3	2.3	∞
Liquid Conductivity — Deviation from target values	E.3.2	5.0	R	√ 3	0.64	0.43	1.8	1.2	∞
Liquid Conductivity — Measurement uncertainty	E.3.3	2.5	N	1	0.64	0.43	1.6	1.1	∞
Liquid Permittivity — Deviation from target values	E.3.2	5.0	R	√ 3	0.6	0.49	1.7	1.4	∞
Liquid Permittivity — Measurement uncertainty	E.3.3	2.5	N	1	0.6	0.49	1.5	1.2	∞
Combined standard Uncertainty			RSS				± 10.9	± 10.7	387
Expanded Uncertainty (95% CONFIDENCE LEVEL)			K=2				± 21.9	± 21.4	

**Table 5. EUT SAR Test - Uncertainty Budget for DASY4 Version V4.6 Build 19**

Estimated total measurement uncertainty for the DASY4 measurement system was ± 10.9 %.  
 The extended uncertainty (K=2) was assessed to be ± 21.9 % based on 95 % confidence level.  
 The uncertainty is not added to the measurement result.

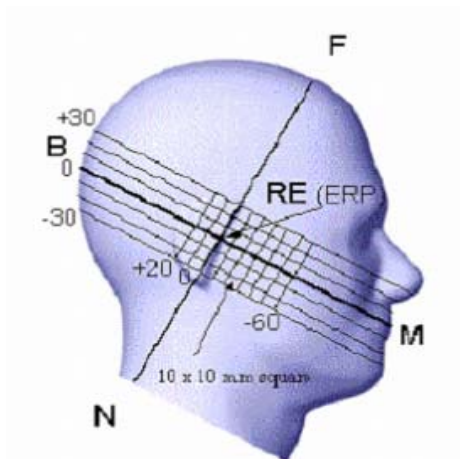
## 7. Description of Test Position

SAR measurements were performed in the “cheek” and “tilted” positions on left and right sides of the phantom. Both were measured in the head section of the SAM Twin Phantom . For the “Belt ” position , it was measured in the flat section of the SAM Twin Phantom .



**Figure 7. Handset vertical and horizontal reference line**

### 7.1 Cheek Position



**Figure 8. Side view of SAM phantom**

The device was positioned with the vertical center line of the body of the device and the horizontal line crossing the center (see Figure 7) of the ear piece in a plane parallel to the sagittal plane of the phantom(see Figure 8). While maintaining the device in this plane, it was aligned the vertical center line with the reference plane containing the three ear and mouth reference points(M, RE and LE) and aligned the center of the ear piece with the line RE-LE. Then device was translated towards the phantom with the ear piece aligned with the line LE-RE until it touched the ear. While maintaining the device in the reference plane and maintaining the device contact with the ear, the bottom of the device was moved until any point on the front side is in contact with the cheek of the phantom.(see Figure 9)

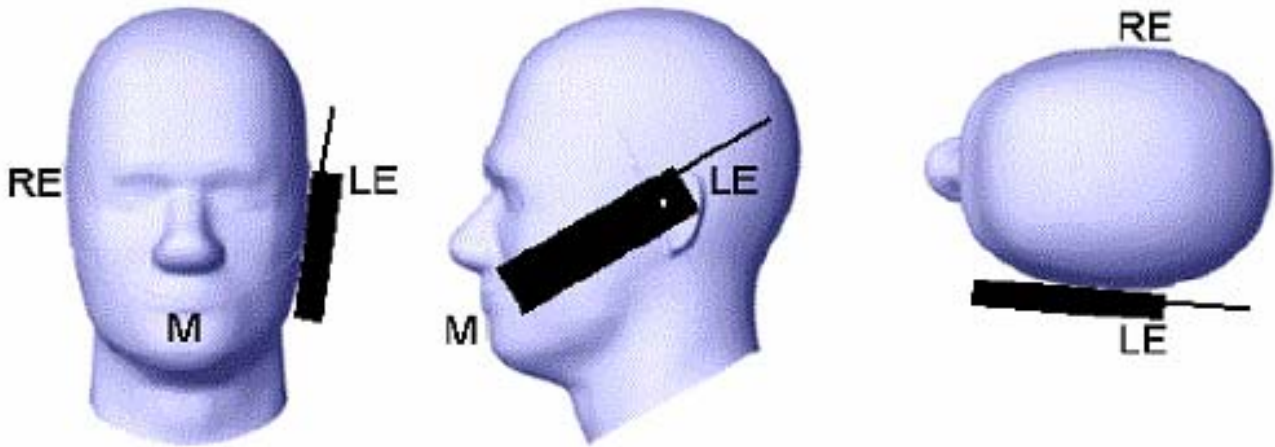


Figure 9. Cheek/Touch Position

2)

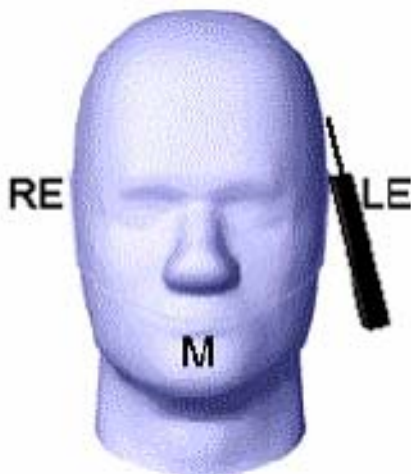


Figure 10. Ear /Tilt Position



Figure 11. Belt Position set up without holster

## 7.2 Tilt Position

The device was positioned in the “Cheek” position. While maintaining the device in the reference plane described above cheek position and pivoting against the ear, device was moved outward away from the mouth by an angle of 15 degrees. (see Figure 10)

## 7.3 Body Holster/Belt-Clip Position

Body-worn operating configurations are tested with the belt-clips and holsters attached to the device and positioned against a flat phantom in a normal use configuration. A device with a headset output is tested with a headset connected to the device.

Accessories for Body-worn operation configurations are divided into two categories: those that do not contain metallic components and those that do contain metallic components. When multiple accessories that do not contain metallic components are supplied with the device, the device is tested with only the accessory that dictates the closest spacing to the body. Then multiple accessories that contain metallic components are tested

with the device with each accessory. If multiple accessories share an identical metallic component(i.e. the same metallic belt-clip used with different holsters with no other metallic components) only the accessory that dictates the closest spacing to the body is tested.

Body-worn accessories may not always be supplied or available as options for some devices intended to be authorized for body-worn use. In this case, a test configuration with a separation distance between the back of the device and the flat phantom is used. Test position spacing was documented.

Transmitters that are designed to operate in front of a person's face, as in push-to-talk configurations, are test for SAR compliance with the front of the device positioned to face the flat phantom in brain fluid. For devices that are carried next to the body such as a shoulder, waist or chest-worn transmitters, SAR compliance is tested with the accessories, including headsets and microphones, attached to the device and positioned against a flat phantom in a normal use configuration.

In all cases SAR measurements are performed to investigate the worst-case positioning. Worst-case positioning is then documented and used to perform Body SAR testing.

## 8. FCC RF Exposure Limits

HUMAN EXPOSURE	UNCONTROLLED ENVIRONMENT General Population (W/Kg) or (mW/g)	CONTROLLED ENVIRONMENT Occupational (W/Kg) or (mW/g)
<b>SPATIAL PEAK SAR (Brain)</b>	1.60	8.00
<b>SPATIAL AVERAGE SAR (Whole Body)</b>	0.08	0.40
<b>SPATIAL PEAK SAR (Hand / Feet / Ankle / Wrist)</b>	4.00	20.00

**Table. 8 Safety Limits for Partial Body Exposure**

NOTE 1 : **Whole-Body SAR** is averaged over the entire body, **partial-body SAR** is averaged over any 1 gram of tissue defined as a tissue volume in the shape of a cube. **SAR for hands, wrists, feet and ankles** is averaged over any 10 grams of tissue defined as a tissue volume in the shape of cube

NOTE 2 : At frequencies above 6.0 GHz, SAR limits are not applicable and MPE limits for power density should be applied at 5 cm or more from the transmitting device.

NOTE 3 : The time averaging criteria for field strength and power density do not apply to general population SAR limit of 47 CFR § 2.1093.



## 9. FCC MULTI-TX AND ANTENNA SAR CONSIDERATIONS

### 9.1 Introduction

The following procedures adopted from “FCC SAR Considerations for Cell Phones with Multiple Transmitters” from February 2008 are applicable to handsets with built-in unlicensed transmitters such as 802.11 a/b/g and Bluetooth devices which may simultaneously transmit with the licensed transmitter.

### 9.2 FCC Power Tables & Conditions

	2.45	5.15 – 5.35	5.47 – 5.85	GHz
<b>P<sub>Ref</sub></b>	<b>12</b>	<b>6</b>	<b>5</b>	<b>mW</b>
Device output power should be rounded to the nearest mW to compare with values specified in this table.				

### 9.3 Output Power Thresholds for Unlicensed Transmitters

	Individual Transmitter	Simultaneous Transmission
Licensed Transmitters	<u>Routine evaluation required</u>	<p><b>SAR not required:</b></p> <p><u>Unlicensed only</u></p> <ul style="list-style-type: none"> <li>o when stand-alone 1-g SAR is not required and antenna is &gt; 5 cm from other antennas</li> </ul> <p><u>Licensed &amp; Unlicensed</u></p> <ul style="list-style-type: none"> <li>o when the sum of the 1-g SAR is &lt;1.6 W/kg for all simultaneous transmitting antennas</li> <li>o when SAR to antenna separation ratio of simultaneous transmitting antenna pair is &lt; 0.3</li> </ul>
Unlicensed Transmitters	<p><b>When there is no simultaneous transmission –</b></p> <ul style="list-style-type: none"> <li>o output &lt; 60/f: SAR not required</li> <li>o output ≥ 60/f: stand-alone SAR required</li> </ul> <p><b>When there is simultaneous transmission –</b></p> <p><u>Stand-alone SAR not required when</u></p> <ul style="list-style-type: none"> <li>o output ≤ 2.P<sub>Ref</sub> and antenna is &gt; 5.0 cm from other antennas</li> <li>o output ≤ P<sub>Ref</sub> and antenna is &gt; 2.5 cm from other antennas, each either output power output ≤ P<sub>Ref</sub> or 1-g SAR &lt; 1.2 W/Kg</li> </ul> <p><u>Otherwise stand-alone SAR is required</u></p> <p><b>When stand-alone SAR is required</b></p> <ul style="list-style-type: none"> <li>o test SAR on highest output channel for each wireless mode and exposure condition</li> <li>o if SAR for highest output channel is &gt; 50% of SAR limit, evaluate all channels according to normal procedures</li> </ul>	<p><b>SAR required:</b></p> <p><u>Licensed &amp; Unlicensed</u></p> <p>antenna pairs with SAR to antenna separation ratio ≥ 0.3; test is only required for the configuration that results in the highest SAR in standalone configuration for each wireless mode and exposure condition</p> <p>Note: simultaneous transmission exposure conditions for head and body can be different for different style phones; therefore, different test requirements may apply</p>

## 10. SAR MEASUREMENT RESULTS

### 1) Bluetooth USB Adapter Body SAR Measurement Result

Date of Test : 20<sup>th</sup> January 2009  
Mixture Type : 2450MHz Muscle  
Ambient Temperature (C) : 21.0  
Dielectric Constant : 52.6

Liquid Temperature (C) : 21.7  
Humidity (%) : 46  
Conductivity : 1.99

Mode	USB connector Orientations	Ant. Orientations on Phantom	Frequency		Power (dBm)		SAR 1g (W/kg)
			MHz	CH	Begin	End	
Bluetooth 2.0	Horizontal-Up connected by extension cable	Horizontal	2441	39	14.03	14.02	<b>0.138</b>
		Vertical	2441	39	14.03	14.02	0.028
		Horizontal	2402	0	14.40	14.39	0.096
		Horizontal	2480	78	13.33	13.32	0.081
	Horizontal-Down connected by extension cable	Horizontal	2441	39	14.03	14.03	0.086
		Vertical	2441	39	14.03	14.01	0.021
	<b>Typical Horizontal-Up USB connection on Laptop computer</b>	Horizontal	2441	39	14.03	14.02	0.123
		Vertical	2441	39	14.03	14.02	0.035
Bluetooth 2.0	Vertical-Front connected by extension cable	Horizontal	2441	39	14.03	14.03	0.057
		Vertical	2441	39	14.03	14.02	0.021
	Vertical-Back connected by extension cable	Horizontal	2441	39	14.03	14.02	0.035
		Vertical	2441	39	14.03	14.03	0.012

NOTES:

1. The test data reported are the worst-case SAR value with the position set in a typical configuration
2. All modes of operation were investigated and the worst-case are reported.
3. Power supply : USB port
4. Power Measured : Conducted
5. SAR Configuration : Body (SAR measurement procedures for USB dongle transmitters given in KDB 447498)
6. Test Signal Call mode : Test-mode (CSR tool)
7. Extension cable length : 25 cm
8. Separation distance between EUT and phantom : 0.5 cm
9. Justification for reduced test configurations: per FCC/OET Supplement C (July,2001), if the SAR measured at the middle channel for each test configuration (Left, right, cheek/touch, tilt/ear, extended and retracted) is at least 3.0 dB lower than the SAR limit, testing at the high and low channels is optional for such test configuration(s).

## **11. CONCLUSION**

The SAR evaluation indicates that Parani-UM100 complies with the RF radiation exposure limits of the FCC. These measurements were taken to simulate the RF effects of RF exposure under worst-case conditions. Precise laboratory measures were taken to assure repeatability of the tests. The results and statements relate only to the item(s) tested.

## 12. EQUIPMENT LIST AND CALIBRATION DETAILS

Equipment Type	Manufacturer	Model Number	Serial Number	Calibration Due	Used For this Test?
Robot - Six Axes	Staubli	RX60	N/A	N/A	Yes
Robot Remote Control	SPEAG	CS7MB	F03/5U96A1 /C/01	N/A	Yes
SAM Twin Phantom	SPEAG	TP1276	QD000P40CA	N/A	Yes
Flat Phantom V4.4	SPEAG	QD000P44BA, BB	1001, higher	N/A	No
Data Acquisition Electronics	SPEAG	DAE4	559	2009.03.13	Yes
Probe E-Field	SPEAG	ES3DV3	3020	2009.07.21	Yes
Antenna Dipole 835 MHz	SPEAG	D835V2	481	2009.05.24	No
Antenna Dipole 900 MHz	SPEAG	D900V2	194	2009.11.19	No
Antenna Dipole 1800 MHz	SPEAG	D1800V2	2d066	2009.05.23	No
Antenna Dipole 1900 MHz	SPEAG	D1900V2	5d038	2009.11.20	No
Antenna Dipole 1950 MHz	SPEAG	D1950V2	1027	2009.03.14	No
Antenna Dipole 2450 MHz	SPEAG	D2450V2	746	2009.02.20	Yes
High power RF Amplifier	EMPOWER	2057- BBS3Q5KCK	1002D/C0321	2009.10.13	Yes
Universal Radio Communication Tester	R&S	CMU200	110019	2009.08.29	Yes
Signal Generator	Agilent	E8257D	MY44320379	2010.01.02	Yes
RF Power Meter Dual	Hewlett Packard	E4419A	GB37170495	2009.04.24	Yes
RF Power Sensor 0.01 - 18 GHz	Hewlett Packard	8481A	US37299851	2010.01.12	Yes
RF Power Sensor 0.01 - 18 GHz	Hewlett Packard	8481A	3318A92872	2010.01.12	Yes
S-Parameter Network Analyzer	Agilent	8753D	3410A07251	2009.04.04	Yes
Dual Directional Coupler	Hewlett Packard	778D	1144AO4576	2009.10.13	Yes
Directional Coupler	Agilent	773D	MY28390213	2009.10.13	Yes
Bluetooth Test Set	Anritsu	MT8852B	6K00006994	2009.03.03	No

### **13. REFERENCES**

- [1] Federal Communications Commission, ET Docket 93-62, Guidelines for Evaluating the Environmental Effects of Radio frequency Radiation, Aug. 1996.
- [2] ANSI/IEEE C95.1 - 1991, American National Standard safety levels with respect to human exposure to radio frequency electromagnetic fields, 300kHz to 100GHz, New York: IEEE, Aug. 1992
- [3] ANSI/IEEE C95.3 - 1991, IEEE Recommended Practice for the Measurement of Potentially Hazardous Electromagnetic Fields - RF and Microwave, New York: IEEE, 1992.
- [4] NCRP, National Council on Radiation Protection and Measurements, Biological Effects and Exposure Criteria for Radio Frequency Electromagnetic Fields, NCRP Report No. 86, 1986. Reprinted Feb. 1995.
- [5] T. Schmid, O. Egger, N. Kuster, Automated E-field scanning system for dosimetric assessments, IEEE Transaction on Microwave Theory and Techniques, vol. 44, Jan. 1996, pp. 105-113.
- [6] K. Pokovic, T. Schmid, N. Kuster, Robust setup for precise calibration of E-field probes in tissue simulating liquids at mobile communications frequencies, ICECOM97, Oct. 1997, pp. 120-124.
- [7] K. Pokovic, T. Schmid, and N. Kuster, E-field Probe with improved isotropy in brain simulating liquids, Proceedings of the ELMAR, Zadar, Croatia, June 23-25, 1996, pp. 172-175.
- [8] Schmid & Partner Engineering AG, Application Note: Data Storage and Evaluation, June 1998, p2.
- [9] V. Hombach, K. Meier, M. Burkhardt, E. Kuhn, N. Kuster, The Dependence of EM Energy Absorption upon Human Head Modeling at 900 MHz, IEEE Transaction on Microwave Theory and Techniques, vol. 44 no. 10, Oct. 1996, pp. 1865-1873.
- [10] N. Kuster and Q. Balzano, Energy absorption mechanism by biological bodies in the near field of dipole antennas above 300MHz, IEEE Transaction on Vehicular Technology, vol. 41, no. 1, Feb. 1992, pp. 17-23.
- [11] G. Hartsgrrove, A. Kraszewski, A. Surowiec, Simulated Biological Materials for Electromagnetic Radiation Absorption Studies, University of Ottawa, Bioelectro magnetics, Canada: 1987, pp. 29-36.
- [12] Q. Balzano, O. Garay, T. Manning Jr., Electromagnetic Energy Exposure of Simulated Users of Portable Cellular Telephones, IEEE Transactions on Vehicular Technology, vol. 44, no.3, Aug. 1995.
- [13] W. Gander, Computer mathematick, Birkhaeuser, Basel, 1992.
- [14] W.H. Press, S.A. Teukolsky, W.T. Vetterling, and B.P. Flannery, Numerical Receptions in C, The Art of Scientific Computing, Second edition, Cambridge University Press, 1992.
- [15] Federal Communications Commission, OET Bulletin 65, Evaluating Compliance with FCC Guidelines for Human Exposure to Radiofrequency Electromagnetic Fields. Supplement C, Dec. 1997.
- [16] N. Kuster, R. Kastle, T. Schmid, Dosimetric evaluation of mobile communications equipment with known precision, IEEE Transaction on Communications, vol. E80-B, no. 5, May 1997, pp. 645-652.
- [17] CENELEC CLC/SC111B, European Prestandard (prENV 50166-2), Human Exposure to Electromagnetic Field High-frequency: 10kHz-300GHz, Jan. 1995.
- [18] Prof. Dr. Niels Kuster, ETH, Eidgenössische Technische Hochschule Zürich, Dosimetric Evaluation of the Cellular Phone.

## Appendix A. SAR PLOTS

Test Laboratory: KTL

**2450MHz Validation – D2450V2; SN:746**

**\*Test Date : 20th/Jan/2009**

**Measured Liquid Temperature(°C) : 21.7 , Ambient Temperature(°C) : 21.0**

Communication System: CW; Frequency: 2450 MHz; Duty Cycle: 1:1

Medium: HSL2450 Medium parameters used:  $f = 2450 \text{ MHz}$ ;  $\sigma = 1.81 \text{ mho/m}$ ;  $\epsilon_r = 39$ ;  $\rho = 1000 \text{ kg/m}^3$

Phantom section: Flat Section

Measurement Standard: DASY4 (High Precision Assessment)

DASY4 Configuration:

- Probe: ES3DV2 - SN3020; ConvF(4.33, 4.33, 4.33); Calibrated: 2008-07-21
- Sensor-Surface: 4mm (Mechanical Surface Detection)
- Electronics: DAE4 Sn559; Calibrated: 2008-03-13
- Phantom: SAM Twin Phantom\_1800MHz; Type: SAM; Serial: TP-1433
- Measurement SW: DASY4, V4.7 Build 71; Postprocessing SW: SEMCAD, V1.8 Build 184

**Area Scan (61x71x1):** Measurement grid:  $dx=15\text{mm}$ ,  $dy=15\text{mm}$

Maximum value of SAR (interpolated) = 16.1 mW/g

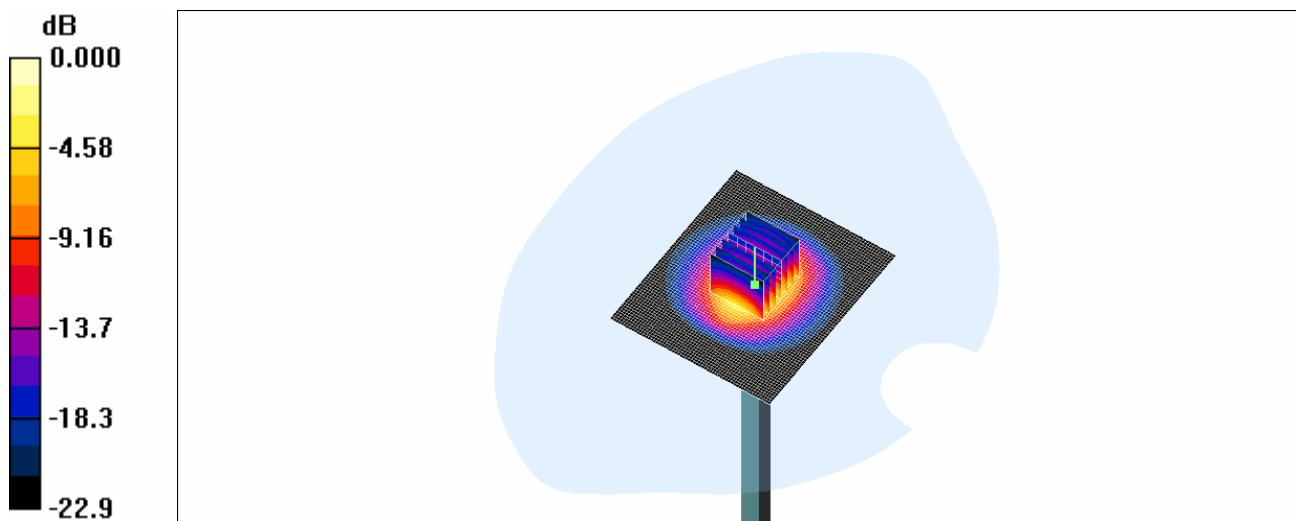
**Zoom Scan (7x7x7)/Cube 0:** Measurement grid:  $dx=5\text{mm}$ ,  $dy=5\text{mm}$ ,  $dz=5\text{mm}$

Reference Value = 91.7 V/m; Power Drift = 0.013 dB

Peak SAR (extrapolated) = 28.9 W/kg

**SAR(1 g) = 13 mW/g; SAR(10 g) = 5.93 mW/g**

Maximum value of SAR (measured) = 14.7 mW/g



0 dB = 14.7mW/g

Test Laboratory: KTL

**Parani-UD100 Bluetooth USB Adapter 39CH Horizontal Up & Ant Horizontal- inserted in Laptop**

**\*Test Date : 20th/Jan/2009**

**Measured Liquid Temperature(°C) : 21.7 , Ambient Temperature(°C) : 21.0**

Communication System: Bluetooth; Frequency: 2441 MHz; Duty Cycle: 1:1

Medium: 2450D Medium parameters used:  $f = 2441$  MHz;  $\sigma = 1.96$  mho/m;  $\epsilon_r = 52.5$ ;  $\rho = 1000$  kg/m<sup>3</sup>

Phantom section: Flat Section

Measurement Standard: DASY4 (High Precision Assessment)

DASY4 Configuration:

- Probe: ES3DV2 - SN3020; ConvF(3.82, 3.82, 3.82); Calibrated: 2008-07-21
- Sensor-Surface: 4mm (Mechanical Surface Detection)
- Electronics: DAE4 Sn559; Calibrated: 2008-03-13
- Phantom: SAM Twin Phantom\_1800MHz; Type: SAM; Serial: TP-1433
- Measurement SW: DASY4, V4.7 Build 71; Postprocessing SW: SEMCAD, V1.8 Build 184

**Area Scan (31x91x1):** Measurement grid: dx=20mm, dy=20mm

Maximum value of SAR (interpolated) = 0.145 mW/g

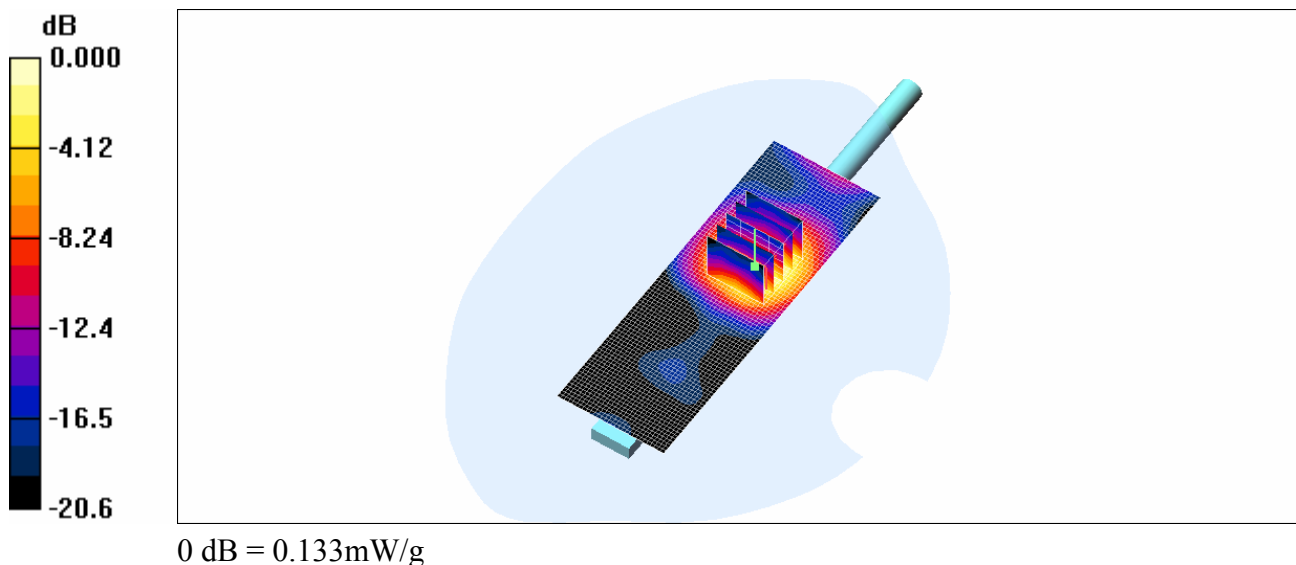
**Zoom Scan (5x5x7)/Cube 0:** Measurement grid: dx=8mm, dy=8mm, dz=5mm

Reference Value = 1.26 V/m; Power Drift = 0.074 dB

Peak SAR (extrapolated) = 0.248 W/kg

**SAR(1 g) = 0.123 mW/g; SAR(10 g) = 0.061 mW/g**

Maximum value of SAR (measured) = 0.133 mW/g





Test Laboratory: KTL

**Parani-UD100 Bluetooth USB Adapter 39CH Horizontal Up & Ant Vertical- inserted in Laptop**

**\*Test Date : 20th/Jan/2009**

**Measured Liquid Temperature(°C) : 21.7 , Ambient Temperature(°C) : 21.0**

Communication System: Bluetooth; Frequency: 2441 MHz; Duty Cycle: 1:1

Medium: 2450D Medium parameters used:  $f = 2441 \text{ MHz}$ ;  $\sigma = 1.96 \text{ mho/m}$ ;  $\epsilon_r = 52.5$ ;  $\rho = 1000 \text{ kg/m}^3$

Phantom section: Flat Section

Measurement Standard: DASY4 (High Precision Assessment)

DASY4 Configuration:

- Probe: ES3DV2 - SN3020; ConvF(3.82, 3.82, 3.82); Calibrated: 2008-07-21
- Sensor-Surface: 4mm (Mechanical Surface Detection)
- Electronics: DAE4 Sn559; Calibrated: 2008-03-13
- Phantom: SAM Twin Phantom\_1800MHz; Type: SAM; Serial: TP-1433
- Measurement SW: DASY4, V4.7 Build 71; Postprocessing SW: SEMCAD, V1.8 Build 184

**Area Scan (31x91x1):** Measurement grid:  $dx=20\text{mm}$ ,  $dy=20\text{mm}$

Maximum value of SAR (interpolated) = 0.031 mW/g

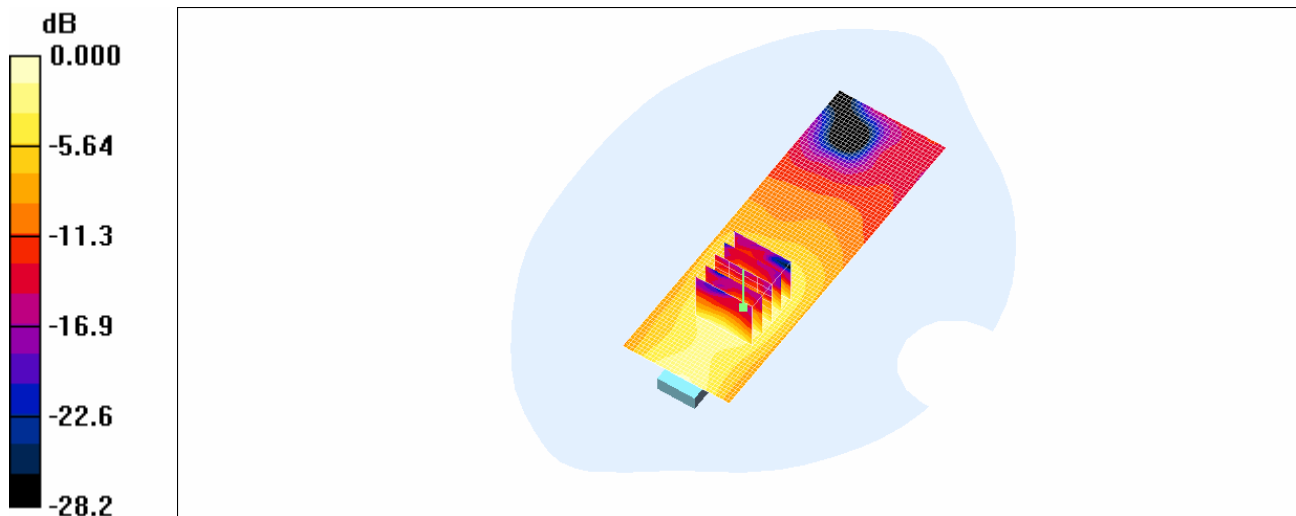
**Zoom Scan (5x5x7)/Cube 0:** Measurement grid:  $dx=8\text{mm}$ ,  $dy=8\text{mm}$ ,  $dz=5\text{mm}$

Reference Value = 2.78 V/m; Power Drift = -0.024 dB

Peak SAR (extrapolated) = 0.074 W/kg

**SAR(1 g) = 0.035 mW/g; SAR(10 g) = 0.017 mW/g**

Maximum value of SAR (measured) = 0.038 mW/g



0 dB = 0.038mW/g

Test Laboratory: KTL

**Parani-UD100 Bluetooth USB Adapter 39CH Horizontal Up & Ant Horizontal – extension cable  
Separation Distance between EUT and Phantom : 0.5 cm**

**\*Test Date : 20th/Jan/2009**

**Measured Liquid Temperature(°C) : 21.7 , Ambient Temperature(°C) : 21.0**

Communication System: Bluetooth; Frequency: 2441 MHz; Duty Cycle: 1:1

Medium: 2450D Medium parameters used:  $f = 2441$  MHz;  $\sigma = 1.96$  mho/m;  $\epsilon_r = 52.5$ ;  $\rho = 1000$  kg/m<sup>3</sup>

Phantom section: Flat Section

Measurement Standard: DASY4 (High Precision Assessment)

DASY4 Configuration:

- Probe: ES3DV2 - SN3020; ConvF(3.82, 3.82, 3.82); Calibrated: 2008-07-21
- Sensor-Surface: 4mm (Mechanical Surface Detection) Sensor-Surface: 0mm (Fix Surface)
- Electronics: DAE4 Sn559; Calibrated: 2008-03-13
- Phantom: SAM Twin Phantom\_1800MHz; Type: SAM; Serial: TP-1433
- Measurement SW: DASY4, V4.7 Build 71; Postprocessing SW: SEMCAD, V1.8 Build 184

**Area Scan (31x91x1):** Measurement grid: dx=20mm, dy=20mm

Maximum value of SAR (interpolated) = 0.154 mW/g

**Z Scan (1x1x16):** Measurement grid: dx=20mm, dy=20mm, dz=20mm

Maximum value of SAR (interpolated) = 0.004 mW/g

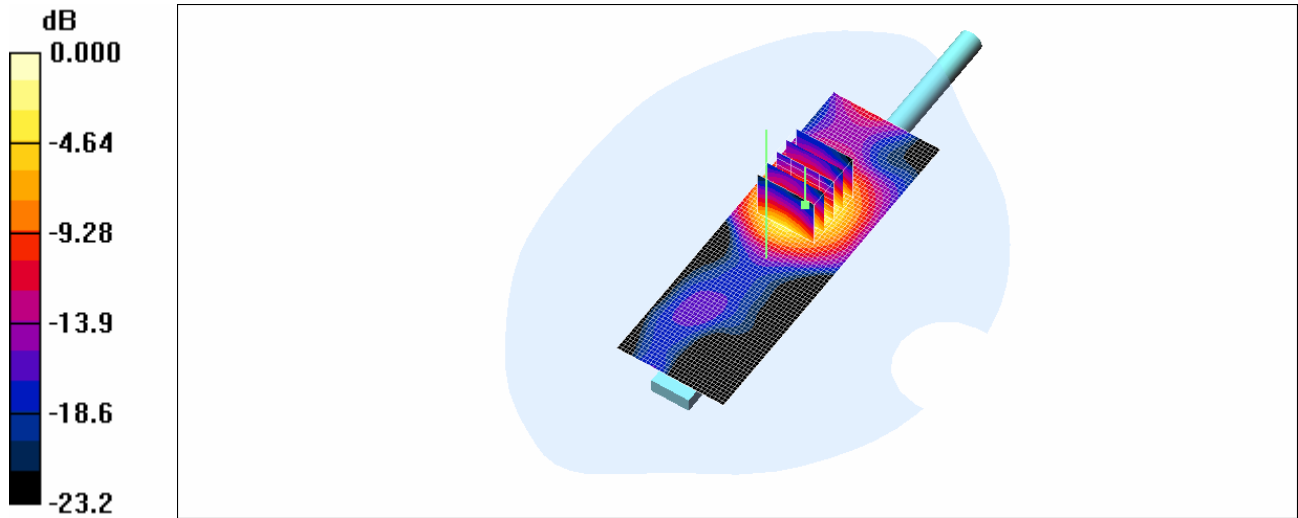
**Zoom Scan (5x5x7)/Cube 0:** Measurement grid: dx=8mm, dy=8mm, dz=5mm

Reference Value = 1.07 V/m; Power Drift = 0.103 dB

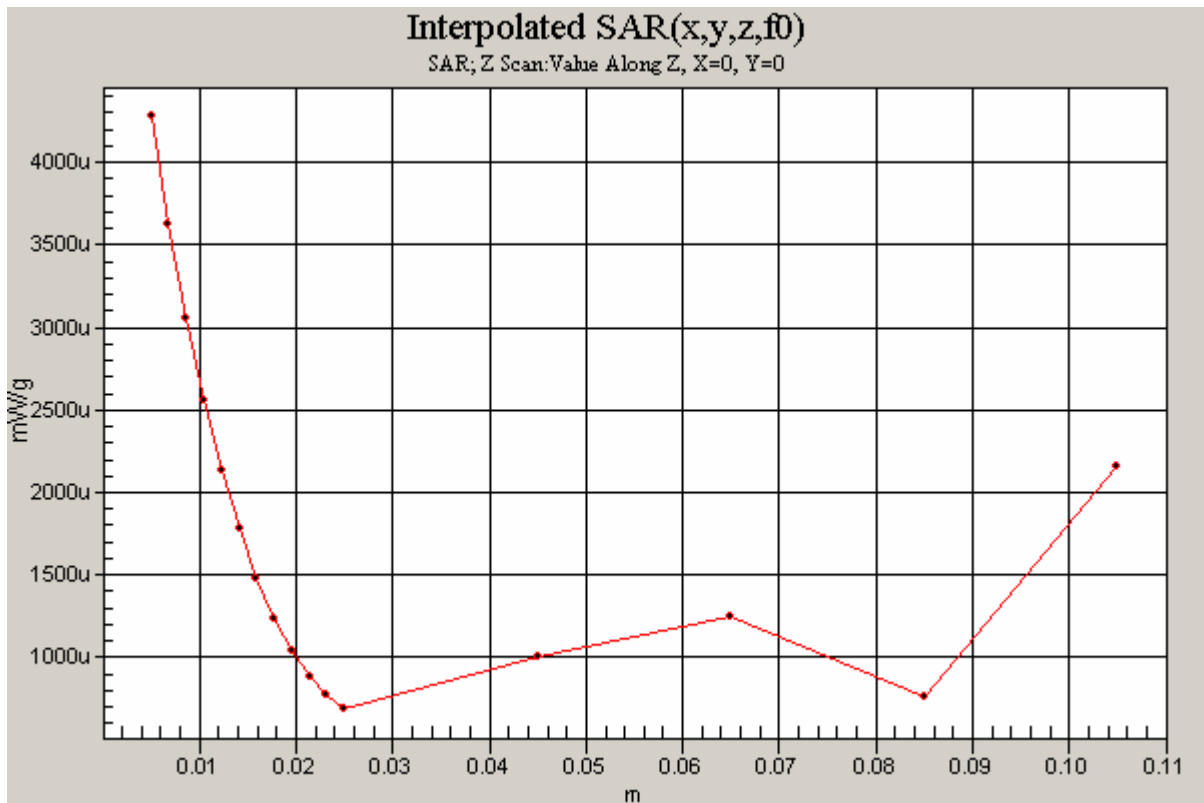
Peak SAR (extrapolated) = 0.284 W/kg

**SAR(1 g) = 0.138 mW/g; SAR(10 g) = 0.067 mW/g**

Maximum value of SAR (measured) = 0.151 mW/g



0 dB = 0.151mW/g



Test Laboratory: KTL

**Parani-UD100 Bluetooth USB Adapter 39CH Horizontal Up & Ant Vertical – extension cable**

**Separation Distance between EUT and Phantom : 0.5 cm**

**\*Test Date : 20th/Jan/2009**

**Measured Liquid Temperature(°C) : 21.7 , Ambient Temperature(°C) : 21.0**

Communication System: Bluetooth; Frequency: 2441 MHz; Duty Cycle: 1:1

Medium: 2450D Medium parameters used:  $f = 2441$  MHz;  $\sigma = 1.96$  mho/m;  $\epsilon_r = 52.5$ ;  $\rho = 1000$  kg/m<sup>3</sup>

Phantom section: Flat Section

Measurement Standard: DASYS4 (High Precision Assessment)

DASY4 Configuration:

- Probe: ES3DV2 - SN3020; ConvF(3.82, 3.82, 3.82); Calibrated: 2008-07-21
- Sensor-Surface: 4mm (Mechanical Surface Detection)
- Electronics: DAE4 Sn559; Calibrated: 2008-03-13
- Phantom: SAM Twin Phantom\_1800MHz; Type: SAM; Serial: TP-1433
- Measurement SW: DASYS4, V4.7 Build 71; Postprocessing SW: SEMCAD, V1.8 Build 184

**Area Scan (31x91x1):** Measurement grid: dx=20mm, dy=20mm

Maximum value of SAR (interpolated) = 0.026 mW/g

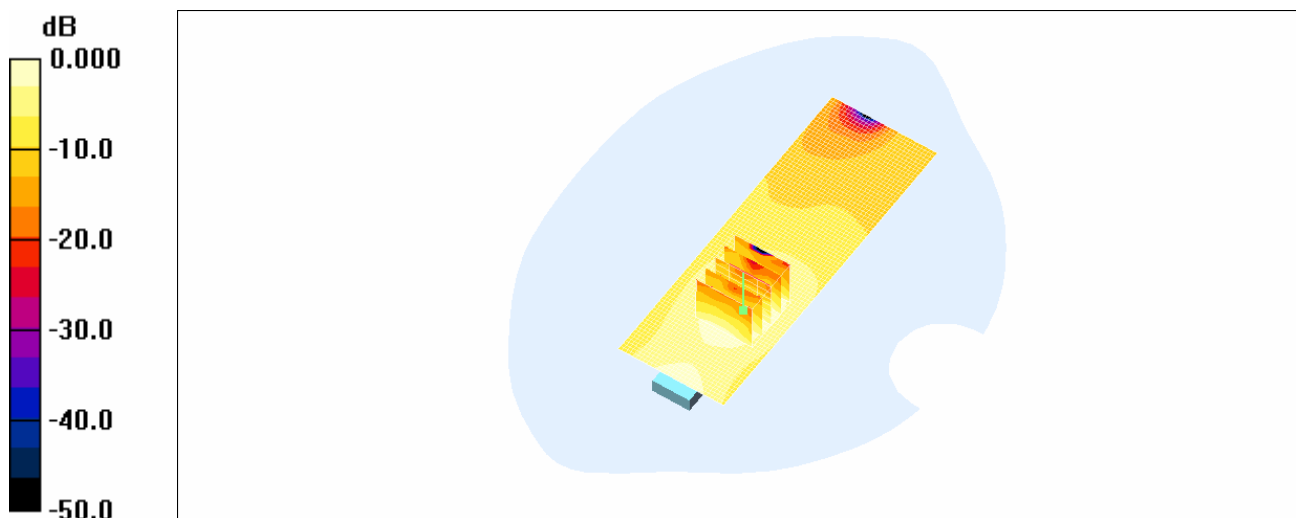
**Zoom Scan (5x5x7)/Cube 0:** Measurement grid: dx=8mm, dy=8mm, dz=5mm

Reference Value = 2.40 V/m; Power Drift = -0.113 dB

Peak SAR (extrapolated) = 0.061 W/kg

**SAR(1 g) = 0.028 mW/g; SAR(10 g) = 0.014 mW/g**

Maximum value of SAR (measured) = 0.029 mW/g



0 dB = 0.029mW/g

Test Laboratory: KTL

**Parani-UD100 Bluetooth USB Adapter 39CH Horizontal Down & Ant Horizontal – extension cable**  
**Separation Distance between EUT and Phantom : 0.5 cm**

**\*Test Date : 20th/Jan/2009**

**Measured Liquid Temperature(°C) : 21.7 , Ambient Temperature(°C) : 21.0**

Communication System: Bluetooth; Frequency: 2441 MHz; Duty Cycle: 1:1

Medium: 2450D Medium parameters used:  $f = 2441$  MHz;  $\sigma = 1.96$  mho/m;  $\epsilon_r = 52.5$ ;  $\rho = 1000$  kg/m<sup>3</sup>

Phantom section: Flat Section

Measurement Standard: DAS4 (High Precision Assessment)

DASY4 Configuration:

- Probe: ES3DV2 - SN3020; ConvF(3.82, 3.82, 3.82); Calibrated: 2008-07-21
- Sensor-Surface: 4mm (Mechanical Surface Detection)
- Electronics: DAE4 Sn559; Calibrated: 2008-03-13
- Phantom: SAM Twin Phantom\_1800MHz; Type: SAM; Serial: TP-1433
- Measurement SW: DAS4, V4.7 Build 71; Postprocessing SW: SEMCAD, V1.8 Build 184

**Area Scan (31x81x1):** Measurement grid: dx=20mm, dy=20mm

Maximum value of SAR (interpolated) = 0.099 mW/g

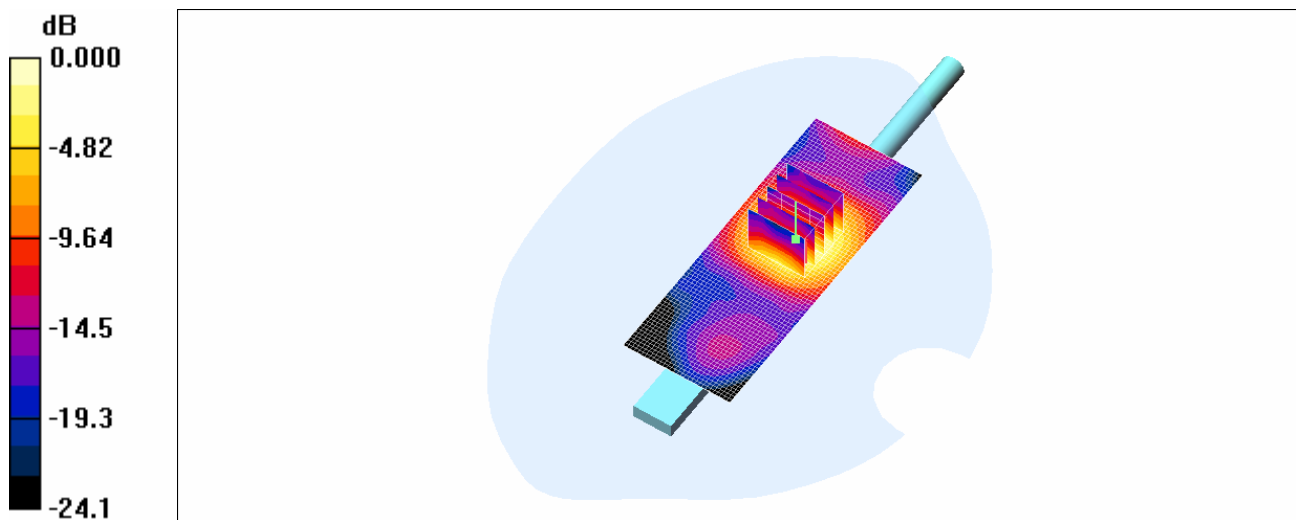
**Zoom Scan (5x5x7)/Cube 0:** Measurement grid: dx=8mm, dy=8mm, dz=5mm

Reference Value = 1.22 V/m; Power Drift = -0.027 dB

Peak SAR (extrapolated) = 0.176 W/kg

**SAR(1 g) = 0.086 mW/g; SAR(10 g) = 0.043 mW/g**

Maximum value of SAR (measured) = 0.094 mW/g



0 dB = 0.094mW/g

Test Laboratory: KTL

**Parani-UD100 Bluetooth USB Adapter 39CH Horizontal Down & Ant Vertical – extension cable**  
**Separation Distance between EUT and Phantom : 0.5 cm**

**\*Test Date : 20th/Jan/2009**

**Measured Liquid Temperature(°C) : 21.7 , Ambient Temperature(°C) : 21.0**

Communication System: Bluetooth; Frequency: 2441 MHz; Duty Cycle: 1:1

Medium: 2450D Medium parameters used:  $f = 2441 \text{ MHz}$ ;  $\sigma = 1.96 \text{ mho/m}$ ;  $\epsilon_r = 52.5$ ;  $\rho = 1000 \text{ kg/m}^3$

Phantom section: Flat Section

Measurement Standard: DAS4 (High Precision Assessment)

DASY4 Configuration:

- Probe: ES3DV2 - SN3020; ConvF(3.82, 3.82, 3.82); Calibrated: 2008-07-21
- Sensor-Surface: 4mm (Mechanical Surface Detection)
- Electronics: DAE4 Sn559; Calibrated: 2008-03-13
- Phantom: SAM Twin Phantom\_1800MHz; Type: SAM; Serial: TP-1433
- Measurement SW: DAS4, V4.7 Build 71; Postprocessing SW: SEMCAD, V1.8 Build 184

**Area Scan (31x91x1):** Measurement grid:  $dx=20\text{mm}$ ,  $dy=20\text{mm}$

Maximum value of SAR (interpolated) = 0.023 mW/g

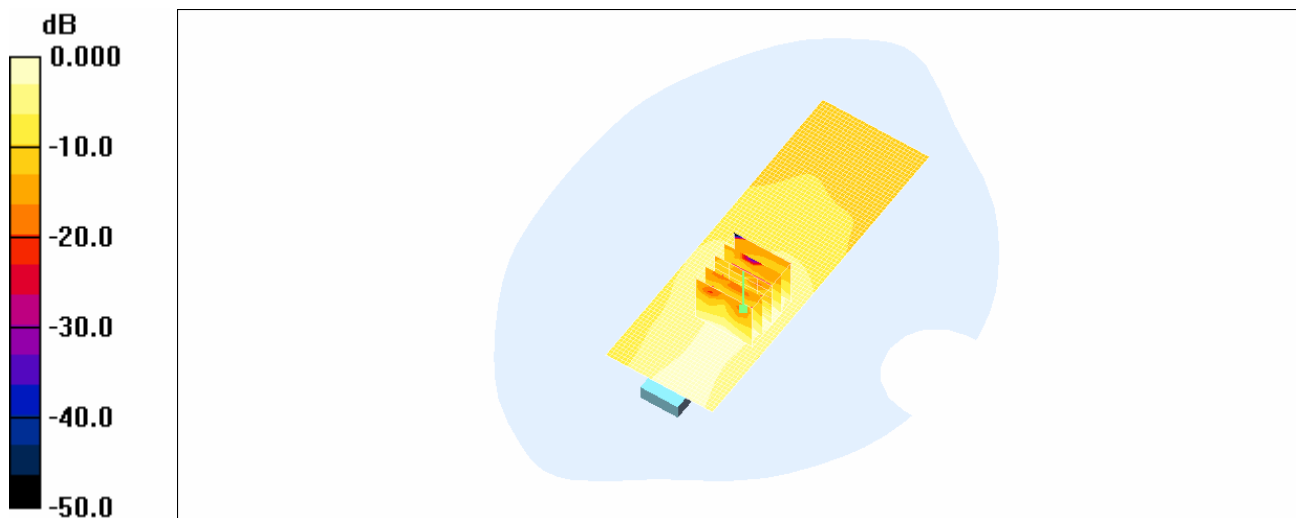
**Zoom Scan (5x5x7)/Cube 0:** Measurement grid:  $dx=8\text{mm}$ ,  $dy=8\text{mm}$ ,  $dz=5\text{mm}$

Reference Value = 2.26 V/m; Power Drift = 0.070 dB

Peak SAR (extrapolated) = 0.039 W/kg

**SAR(1 g) = 0.021 mW/g; SAR(10 g) = 0.011 mW/g**

Maximum value of SAR (measured) = 0.023 mW/g



0 dB = 0.023mW/g

Test Laboratory: KTL

**Parani-UD100 Bluetooth USB Adapter 39CH Vertical Front & Ant Horizontal – extension cable**  
**Separation Distance between EUT and Phantom : 0.5 cm**

**\*Test Date : 20th/Jan/2009**

**Measured Liquid Temperature(°C) : 21.7 , Ambient Temperature(°C) : 21.0**

Communication System: Bluetooth; Frequency: 2441 MHz; Duty Cycle: 1:1

Medium: 2450D Medium parameters used:  $f = 2441$  MHz;  $\sigma = 1.96$  mho/m;  $\epsilon_r = 52.5$ ;  $\rho = 1000$  kg/m<sup>3</sup>

Phantom section: Flat Section

Measurement Standard: DAS4 (High Precision Assessment)

DASY4 Configuration:

- Probe: ES3DV2 - SN3020; ConvF(3.82, 3.82, 3.82); Calibrated: 2008-07-21
- Sensor-Surface: 4mm (Mechanical Surface Detection)
- Electronics: DAE4 Sn559; Calibrated: 2008-03-13
- Phantom: SAM Twin Phantom\_1800MHz; Type: SAM; Serial: TP-1433
- Measurement SW: DAS4, V4.7 Build 71; Postprocessing SW: SEMCAD, V1.8 Build 184

**Area Scan (31x81x1):** Measurement grid: dx=20mm, dy=20mm

Maximum value of SAR (interpolated) = 0.065 mW/g

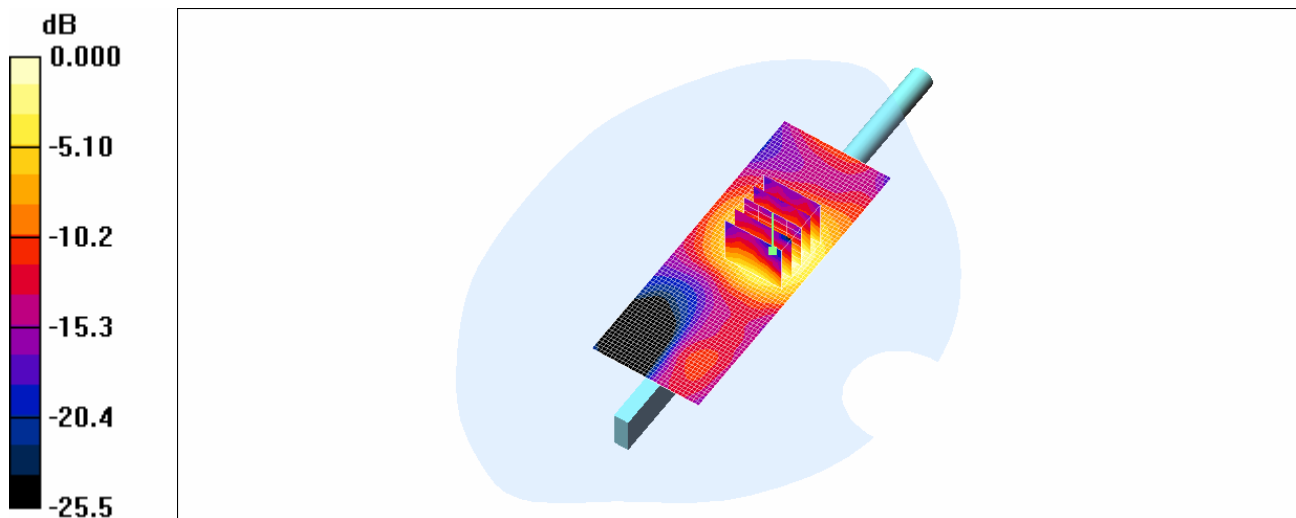
**Zoom Scan (5x5x7)/Cube 0:** Measurement grid: dx=8mm, dy=8mm, dz=5mm

Reference Value = 1.27 V/m; Power Drift = -0.048 dB

Peak SAR (extrapolated) = 0.114 W/kg

**SAR(1 g) = 0.057 mW/g; SAR(10 g) = 0.030 mW/g**

Maximum value of SAR (measured) = 0.062 mW/g



0 dB = 0.062mW/g

Test Laboratory: KTL

**Parani-UD100 Bluetooth USB Adapter 39CH Vertical Front & Ant Vertical – extension cable**

**Separation Distance between EUT and Phantom : 0.5 cm**

**\*Test Date : 20th/Jan/2009**

**Measured Liquid Temperature(°C) : 21.7 , Ambient Temperature(°C) : 21.0**

Communication System: Bluetooth; Frequency: 2441 MHz; Duty Cycle: 1:1

Medium: 2450D Medium parameters used:  $f = 2441$  MHz;  $\sigma = 1.96$  mho/m;  $\epsilon_r = 52.5$ ;  $\rho = 1000$  kg/m<sup>3</sup>

Phantom section: Flat Section

Measurement Standard: DAS4 (High Precision Assessment)

DASY4 Configuration:

- Probe: ES3DV2 - SN3020; ConvF(3.82, 3.82, 3.82); Calibrated: 2008-07-21
- Sensor-Surface: 4mm (Mechanical Surface Detection)
- Electronics: DAE4 Sn559; Calibrated: 2008-03-13
- Phantom: SAM Twin Phantom\_1800MHz; Type: SAM; Serial: TP-1433
- Measurement SW: DAS4, V4.7 Build 71; Postprocessing SW: SEMCAD, V1.8 Build 184

**Area Scan (31x81x1):** Measurement grid: dx=20mm, dy=20mm

Maximum value of SAR (interpolated) = 0.020 mW/g

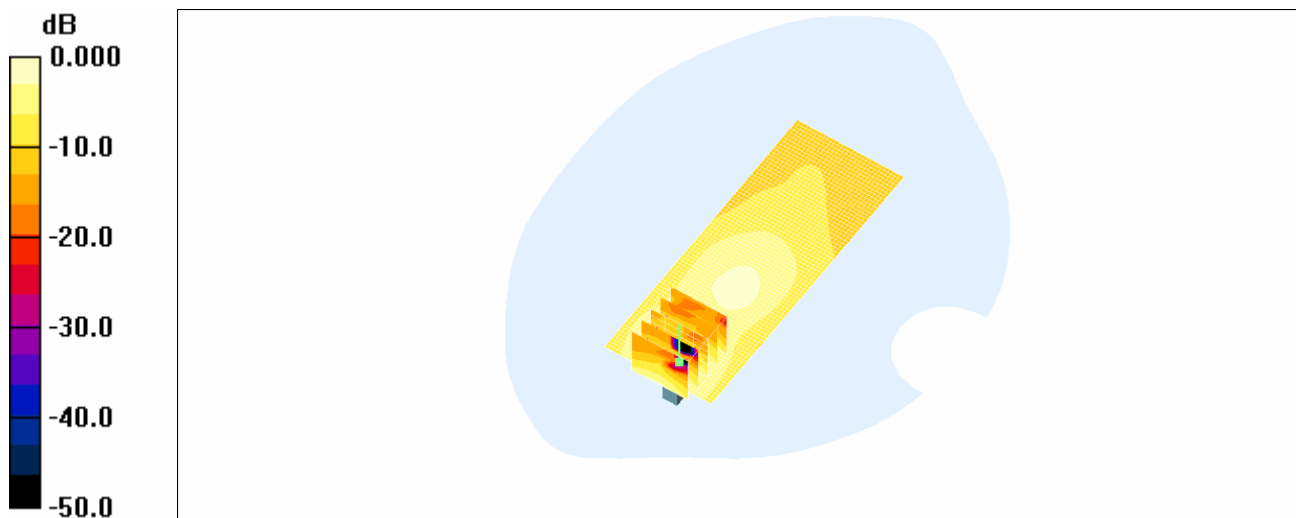
**Zoom Scan (5x5x7)/Cube 0:** Measurement grid: dx=8mm, dy=8mm, dz=5mm

Reference Value = 1.78 V/m; Power Drift = -0.031 dB

Peak SAR (extrapolated) = 0.045 W/kg

**SAR(1 g) = 0.021 mW/g; SAR(10 g) = 0.011 mW/g**

Maximum value of SAR (measured) = 0.024 mW/g



0 dB = 0.024mW/g



Test Laboratory: KTL

**Parani-UD100 Bluetooth USB Adapter 39CH Vertical Back & Ant Horizontal- extension cable**

**Separation Distance between EUT and Phantom : 0.5 cm**

**\*Test Date : 20th/Jan/2009**

**Measured Liquid Temperature(°C) : 21.7 , Ambient Temperature(°C) : 21.0**

Communication System: Bluetooth; Frequency: 2441 MHz; Duty Cycle: 1:1

Medium: 2450D Medium parameters used:  $f = 2441 \text{ MHz}$ ;  $\sigma = 1.96 \text{ mho/m}$ ;  $\epsilon_r = 52.5$ ;  $\rho = 1000 \text{ kg/m}^3$

Phantom section: Flat Section

Measurement Standard: DAS4 (High Precision Assessment)

DASY4 Configuration:

- Probe: ES3DV2 - SN3020; ConvF(3.82, 3.82, 3.82); Calibrated: 2008-07-21
- Sensor-Surface: 4mm (Mechanical Surface Detection)
- Electronics: DAE4 Sn559; Calibrated: 2008-03-13
- Phantom: SAM Twin Phantom\_1800MHz; Type: SAM; Serial: TP-1433
- Measurement SW: DAS4, V4.7 Build 71; Postprocessing SW: SEMCAD, V1.8 Build 184

**Area Scan (31x91x1):** Measurement grid:  $dx=20\text{mm}$ ,  $dy=20\text{mm}$

Maximum value of SAR (interpolated) = 0.038 mW/g

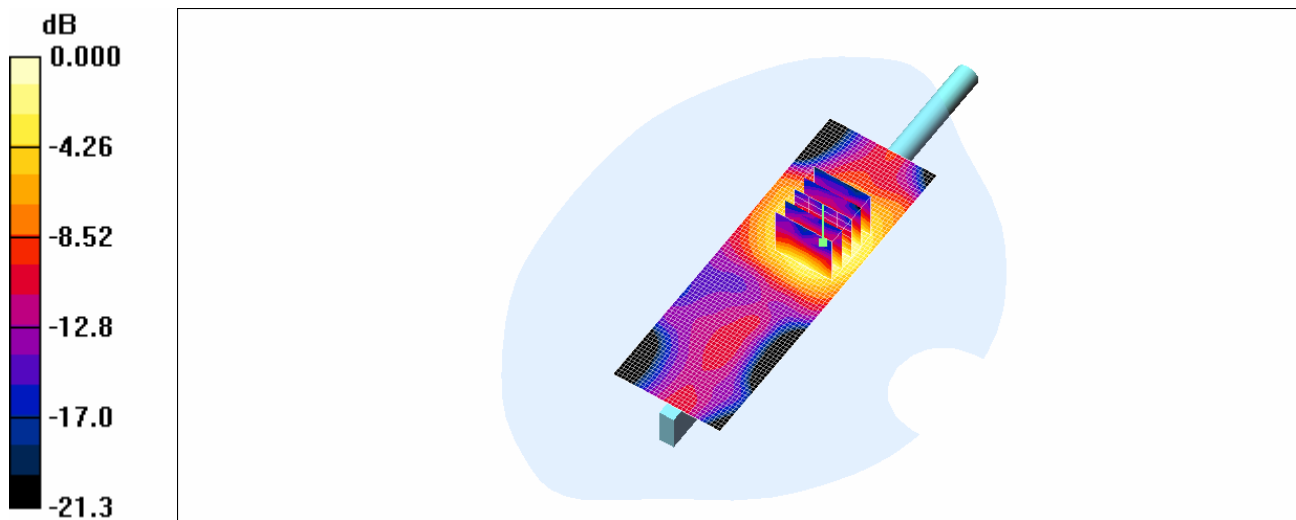
**Zoom Scan (5x5x7)/Cube 0:** Measurement grid:  $dx=8\text{mm}$ ,  $dy=8\text{mm}$ ,  $dz=5\text{mm}$

Reference Value = 0.995 V/m; Power Drift = 0.054 dB

Peak SAR (extrapolated) = 0.069 W/kg

**SAR(1 g) = 0.035 mW/g; SAR(10 g) = 0.019 mW/g**

Maximum value of SAR (measured) = 0.038 mW/g



0 dB = 0.038mW/g

Test Laboratory: KTL

**Parani-UD100 Bluetooth USB Adapter 39CH Vertical Back & Ant Vertical- extension cable**

**Separation Distance between EUT and Phantom : 0.5 cm**

**\*Test Date : 20th/Jan/2009**

**Measured Liquid Temperature(°C) : 21.7 , Ambient Temperature(°C) : 21.0**

Communication System: Bluetooth; Frequency: 2441 MHz; Duty Cycle: 1:1

Medium: 2450D Medium parameters used:  $f = 2441 \text{ MHz}$ ;  $\sigma = 1.96 \text{ mho/m}$ ;  $\epsilon_r = 52.5$ ;  $\rho = 1000 \text{ kg/m}^3$

Phantom section: Flat Section

Measurement Standard: DASY4 (High Precision Assessment)

DASY4 Configuration:

- Probe: ES3DV2 - SN3020; ConvF(3.82, 3.82, 3.82); Calibrated: 2008-07-21
- Sensor-Surface: 4mm (Mechanical Surface Detection)
- Electronics: DAE4 Sn559; Calibrated: 2008-03-13
- Phantom: SAM Twin Phantom\_1800MHz; Type: SAM; Serial: TP-1433
- Measurement SW: DASY4, V4.7 Build 71; Postprocessing SW: SEMCAD, V1.8 Build 184

**Area Scan (31x81x1):** Measurement grid:  $dx=20\text{mm}$ ,  $dy=20\text{mm}$

Maximum value of SAR (interpolated) = 0.013 mW/g

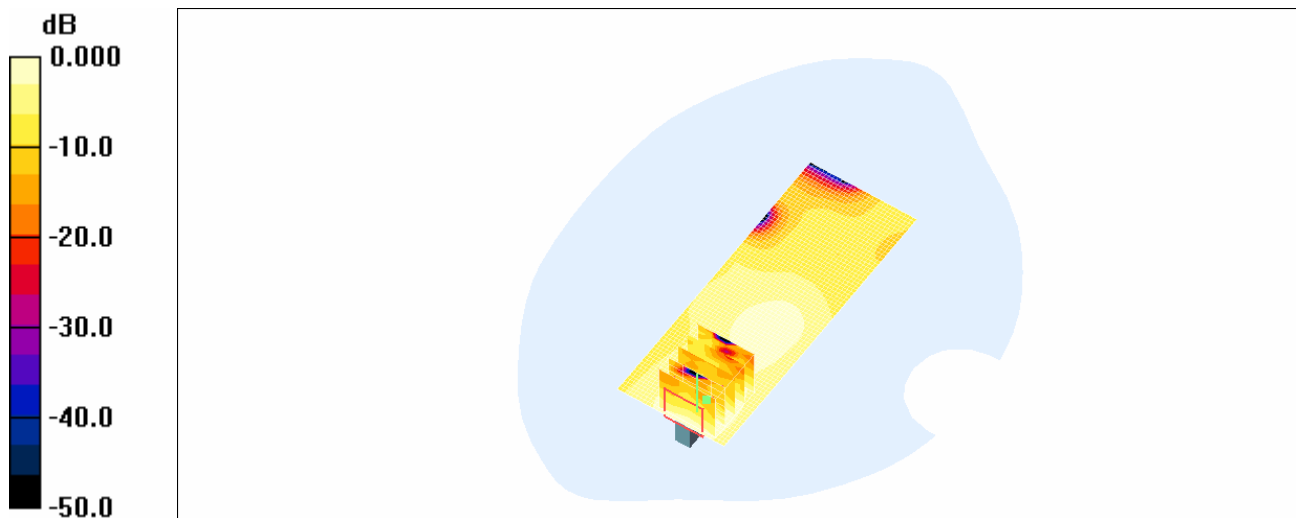
**Zoom Scan (5x5x7)/Cube 0:** Measurement grid:  $dx=8\text{mm}$ ,  $dy=8\text{mm}$ ,  $dz=5\text{mm}$

Reference Value = 1.60 V/m; Power Drift = 0.106 dB

Peak SAR (extrapolated) = 0.026 W/kg

**SAR(1 g) = 0.012 mW/g; SAR(10 g) = 0.00651 mW/g**

Maximum value of SAR (measured) = 0.014 mW/g



0 dB = 0.014mW/g

Test Laboratory: KTL

**Parani-UD100 Bluetooth USB Adapter 0CH Horizontal Up & Ant Horizontal – extension cable  
Separation Distance between EUT and Phantom : 0.5 cm**

**\*Test Date : 20th/Jan/2009**

**Measured Liquid Temperature(°C) : 21.7 , Ambient Temperature(°C) : 21.0**

Communication System: Bluetooth; Frequency: 2402 MHz; Duty Cycle: 1:1

Medium: 2450D Medium parameters used:  $f = 2402$  MHz;  $\sigma = 1.92$  mho/m;  $\epsilon_r = 52.8$ ;  $\rho = 1000$  kg/m<sup>3</sup>

Phantom section: Flat Section

Measurement Standard: DAS4 (High Precision Assessment)

DASY4 Configuration:

- Probe: ES3DV2 - SN3020; ConvF(3.82, 3.82, 3.82); Calibrated: 2008-07-21
- Sensor-Surface: 4mm (Mechanical Surface Detection)
- Electronics: DAE4 Sn559; Calibrated: 2008-03-13
- Phantom: SAM Twin Phantom\_1800MHz; Type: SAM; Serial: TP-1433
- Measurement SW: DAS4, V4.7 Build 71; Postprocessing SW: SEMCAD, V1.8 Build 184

**Area Scan (31x91x1):** Measurement grid: dx=20mm, dy=20mm

Maximum value of SAR (interpolated) = 0.117 mW/g

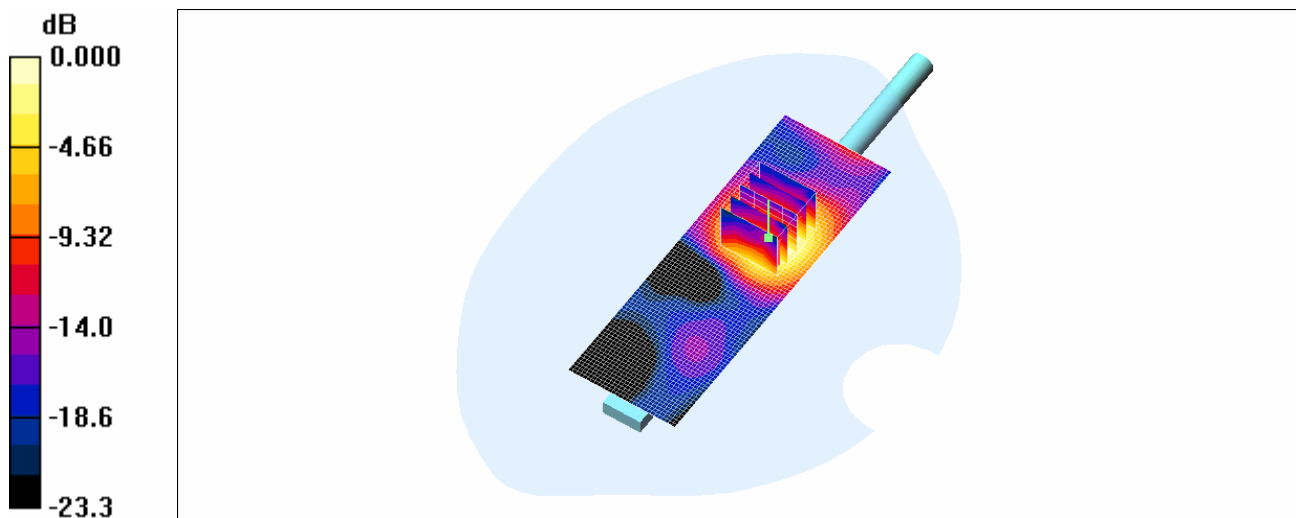
**Zoom Scan (5x5x7)/Cube 0:** Measurement grid: dx=8mm, dy=8mm, dz=5mm

Reference Value = 1.01 V/m; Power Drift = -0.117 dB

Peak SAR (extrapolated) = 0.194 W/kg

**SAR(1 g) = 0.096 mW/g; SAR(10 g) = 0.048 mW/g**

Maximum value of SAR (measured) = 0.104 mW/g



0 dB = 0.104mW/g

Test Laboratory: KTL

**Parani-UD100 Bluetooth USB Adapter 78CH Horizontal Up & Ant Horizontal – extension cable**  
**Separation Distance between EUT and Phantom : 0.5 cm**

**\*Test Date : 20th/Jan/2009**

**Measured Liquid Temperature(°C) : 21.7 , Ambient Temperature(°C) : 21.0**

Communication System: Bluetooth; Frequency: 2480 MHz; Duty Cycle: 1:1

Medium: 2450D Medium parameters used:  $f = 2480$  MHz;  $\sigma = 2.02$  mho/m;  $\epsilon_r = 52.5$ ;  $\rho = 1000$  kg/m<sup>3</sup>

Phantom section: Flat Section

Measurement Standard: DAS4 (High Precision Assessment)

DASY4 Configuration:

- Probe: ES3DV2 - SN3020; ConvF(3.82, 3.82, 3.82); Calibrated: 2008-07-21
- Sensor-Surface: 4mm (Mechanical Surface Detection)
- Electronics: DAE4 Sn559; Calibrated: 2008-03-13
- Phantom: SAM Twin Phantom\_1800MHz; Type: SAM; Serial: TP-1433
- Measurement SW: DAS4, V4.7 Build 71; Postprocessing SW: SEMCAD, V1.8 Build 184

**Area Scan (31x91x1):** Measurement grid: dx=20mm, dy=20mm

Maximum value of SAR (interpolated) = 0.093 mW/g

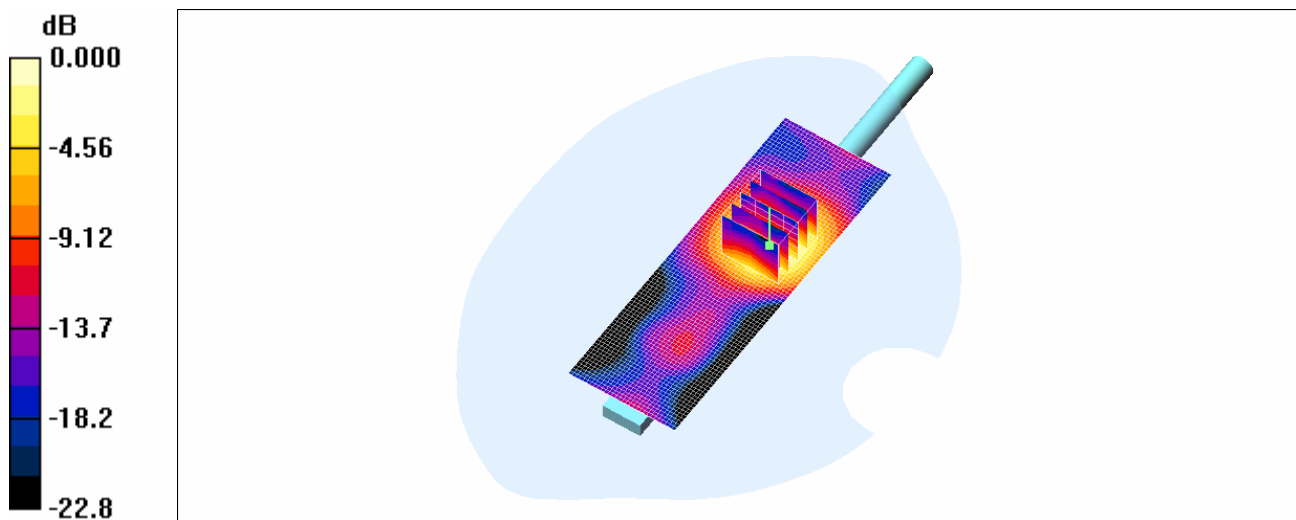
**Zoom Scan (5x5x7)/Cube 0:** Measurement grid: dx=8mm, dy=8mm, dz=5mm

Reference Value = 1.56 V/m; Power Drift = 0.121 dB

Peak SAR (extrapolated) = 0.167 W/kg

**SAR(1 g) = 0.081 mW/g; SAR(10 g) = 0.040 mW/g**

Maximum value of SAR (measured) = 0.088 mW/g



0 dB = 0.088mW/g