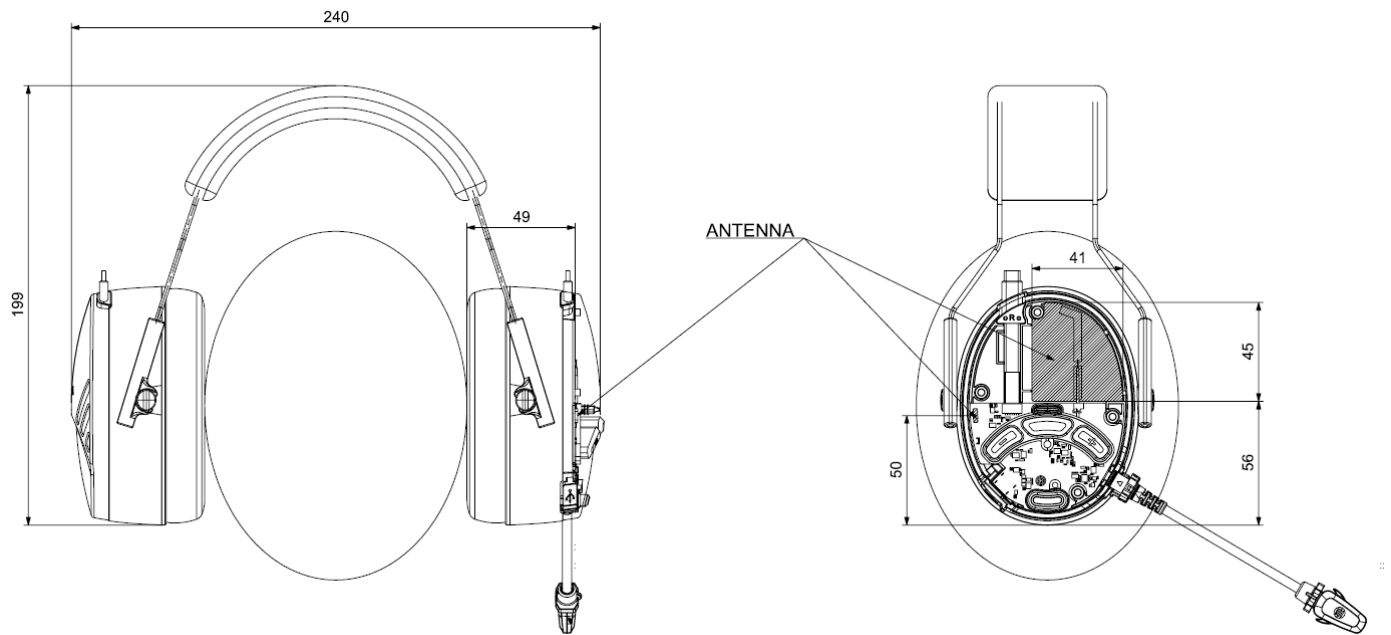


Dec 05<sup>th</sup>, 2018

Applicant : Sena Technologies, Inc.  
FCC ID: S7A-SP64 / IC: 8154A-SP64

So, We, Sena Technologies, Inc. confirm that when equipped, the distance between antenna and one's head is 49 mm.



Sincerely,

---

*Seunhyun Kim / Research Engineer*