

Tufftalk M Manual



Charging

Red LED: Charging

Blue LED: Fully charged

Power On/Off

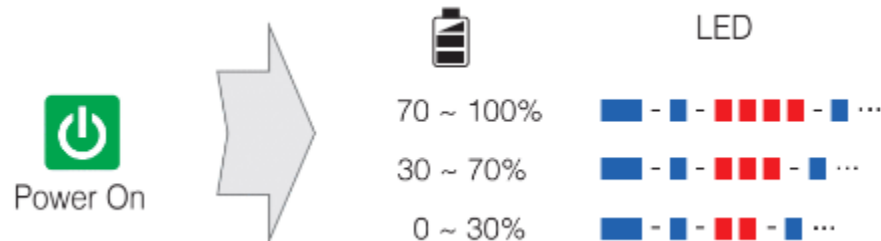
(+) Button + Center Button for 1 sec

Volume Adjustment

(+) Button - Increase the volume

(-) Button - Decrease the volume

Battery Check



Phone, Music Pairing

1. Press the Center Button for 10 seconds.
2. Press the (+) Button to enter into Phone Pairing
3. Search for Bluetooth devices on your mobile phone. Select the SF4 in the list of the devices detected on the mobile phone.
4. Enter 0000 for the PIN. Some mobile phones may not ask for the PIN.

Music Operation

Play or pause music: Press the Center Button for 1 second.

Track back: Press the (-) Button for 1 second.

Track forward: Press the (+) Button for 1 second.

Mobile Phone Call Making and Answering

Answering a call: Tap the Center Button

Ending a call: Press the Center Button for 2 seconds.

Voice dial: Press the Center Button for 3 seconds.

Speed dial: Press the (+) Button for 3 seconds.

Rejecting a call: Press the Center Button for 2 seconds.

Intercom Pairing

1. Press and hold the Center Button of two headsets for 5 seconds until red LEDs of both units start to flash rapidly.
2. Simply tap the Center Button of any one of the two headsets.

Mesh Intercom On/Off

Mesh Intercom On : Tap the Mesh Button.

Mesh Intercom Off : Tap the Mesh Button.

Create Mesh

Press and Hold the Mesh Button 5 seconds.

Accept Invitation During Mesh Creation

Tap the Mesh Button

Join an Existing Mesh

Tap the Mesh Button twice.

Quit Mesh

Press and Hold the Mesh Button 8 seconds.

Radio On/Off

Turn on the FM radio: Press the (-) Button for 1 second.

Turn off the FM radio: Press the (-) Button for 1 second.

Radio Scan Up FM Band

Start scanning: Press (+) Button for 1 second.

Stop scanning: Press (+) Button for 1 second.

Save presets while scanning

Save presets: Tap the Center Button

Radio Move to Preset Station

Move to next preset: Press the Center Button for 1 second (1 → 2 → ... → 10)

Radio Seek Stations

Seek up stations: Double tap the (+) Button.

Seek down stations: Double tap the (-) Button.

Setting

Configuration Menu: Press the Center Button for 10 seconds.

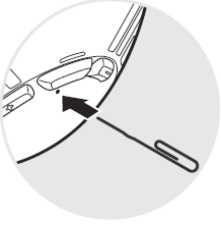
Troubleshooting

Factory Reset

If you want to restore the headset to factory default settings, use the Factory Reset in the configuration menu. The headset automatically restores the default settings and turns off.

Fault Reset

If the headset is not working properly for any reason, reset by gently pushing the pin-hole reset button located below the Center Button.



Certification and Safety Approvals

FCC Compliance Statement

This device complies with part 15 of the FCC rules.

Operation is subject to the following two conditions:

- (1) This device may not cause harmful interference, and
- (2) This device must accept any interference received, including interference that may cause undesired operation.

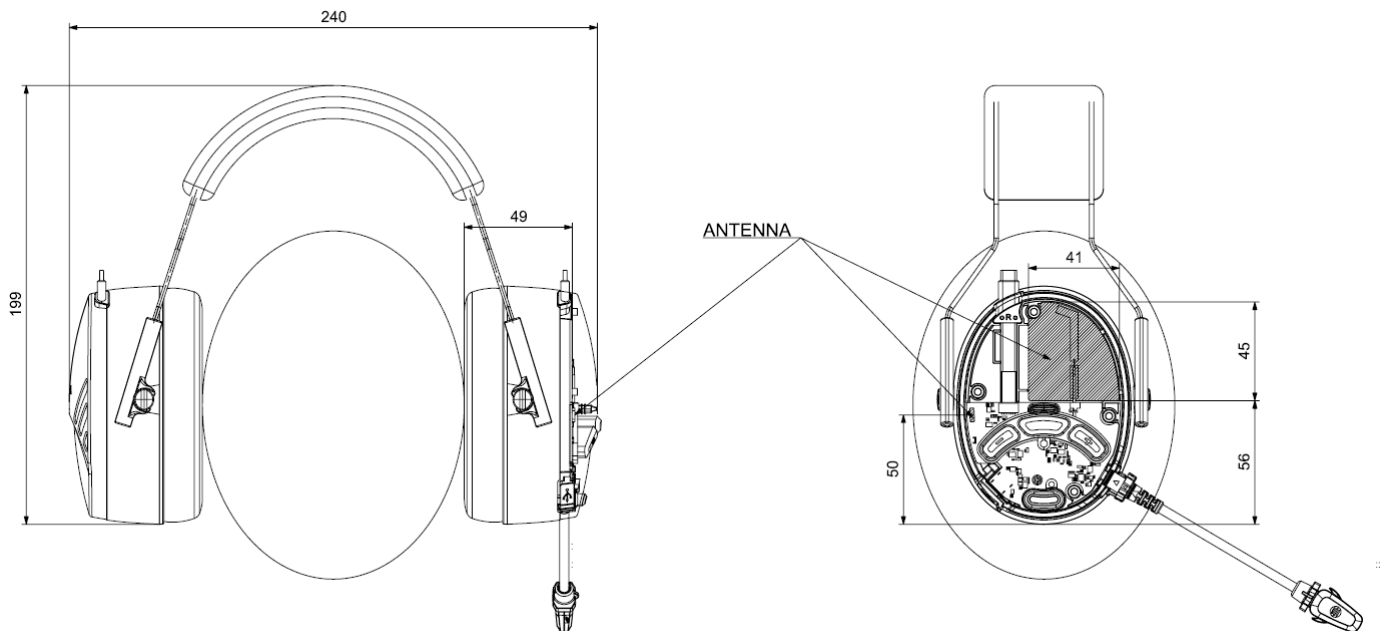
This equipment has been tested and found to comply with the limits for a Class B digital device pursuant to part 15 of the FCC rules. These limits are designed to provide reasonable protection against harmful interference in a residential installation. This equipment generates, uses and can radiate radio frequency energy and, if not installed and used in accordance with the instructions, may cause harmful interference to radio communications. However, there is no guarantee that interference will not occur in a particular installation. If this equipment does cause harmful interference to radio or television reception, which can be determined by turning the equipment on and off, the user is encouraged to try to correct the interference by one or more of the following measures:

- Reorient or relocate the receiving antennae
- Increase the separation between the equipment and the receiver
- Connect the equipment into an outlet on a circuit different from that to which the receiver is connected.
- Consult the dealer or an experienced radio/TV technician for help.

FCC RF Exposure Statement

This equipment complies with FCC radiation exposure limits set forth for an uncontrolled environment. End users must follow the specific operating instructions for satisfying RF exposure compliance. The antenna used for this transmitter must not transmit simultaneously with any other antenna or transmitter, except in accordance with FCC multi-transmitter product procedures.

We, Sena Technologies, Inc. confirm that when equipped, the distance between antenna and one's head is 49 mm. So, We, Sena Technologies, Inc. confirm that when equipped, the helmet needs to be at least 49 mm apart from one's head.



FCC Caution

Any changes or modifications to the equipment not expressly approved by the party responsible for compliance could void user's authority to operate the equipment.

Industry Canada Statement

This device complies with Industry Canada license-exempt RSS standard(s). Operation is subject to the following two conditions:

- (1) This device may not cause interference.
- (2) This device must accept any interference, including interference that may cause undesired operation of the device.

Déclaration de conformité IC (Industrie Canada)

Le présent appareil est conforme aux CNR d'Industrie Canada applicables aux appareils radio exempts de licence. L'exploitation est autorisée aux deux conditions suivantes :

- (1) Cet appareil ne doit pas créer d'interférences.
- (2) Cet appareil doit accepter toutes les interférences reçues, y compris celles qui pourraient entraver son bon fonctionnement.

Énoncé FCC sur l'exposition aux radiations RF :

Cet équipement est conforme aux réglementations FCC d'exposition aux radiations définies pour un environnement non contrôlé. Les utilisateurs suivront les instructions d'exploitation spécifiques pour répondre aux exigences de conformité sur l'exposition aux RF. L'antenne utilisée pour cet appareil ne doit pas fonctionner en même temps qu'une autre antenne ou émetteur, sauf s'il y a conformité avec les procédures FCC des produits multi-émetteurs.

Nous, Sena Technologies, Inc. confirmer que lorsqu'il est équipé, la distance entre l'antenne et la tête est de 49 mm. Donc, nous, Sena Technologies, Inc. confirmer que, lorsqu'il est équipé, le casque doit être éloigné d'au moins 49 mm de la tête.

