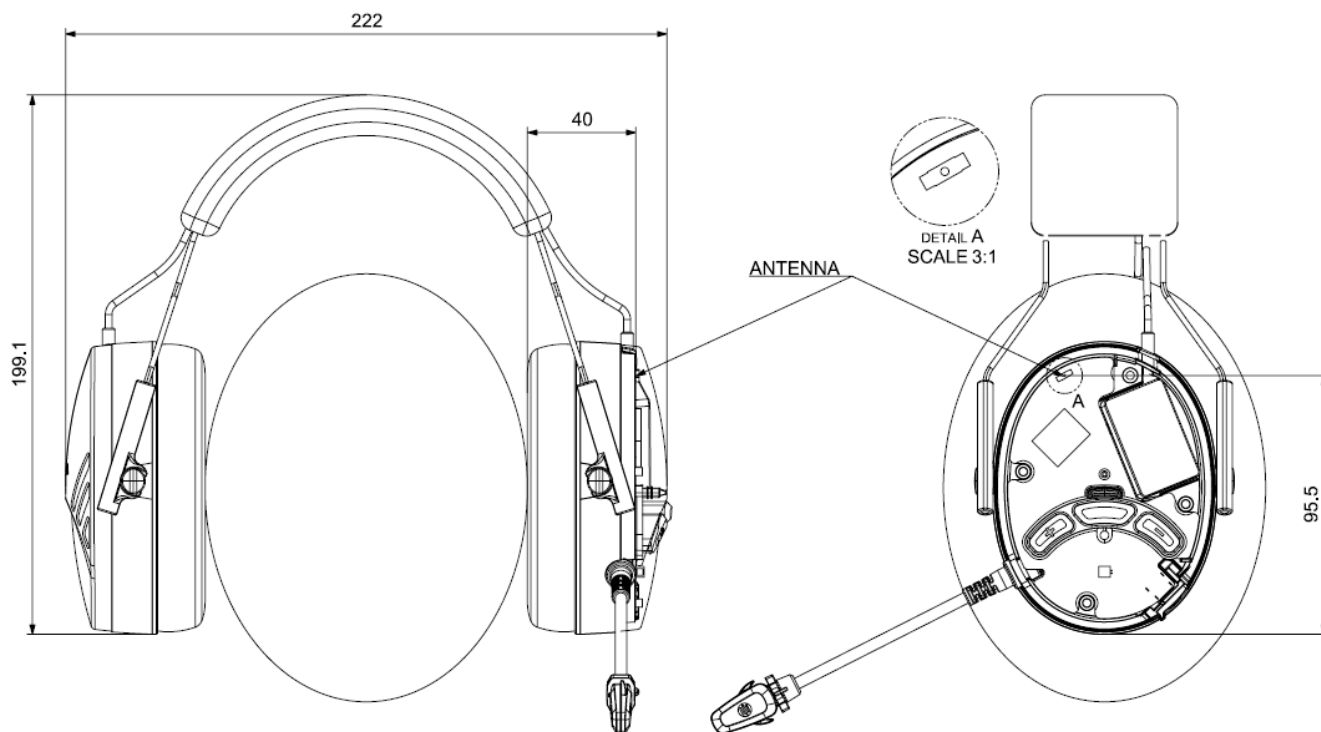


Applicant: **SENA TECHNOLOGIES.Inc**
FCC ID: **S7A-SP54**
IC: **8154A-SP54**

So, We, Sena Technologies,Inc. confirm that when equipped, the distance between antenna and one's head is 40mm.



Seunghyun Kim
Research Engineer