



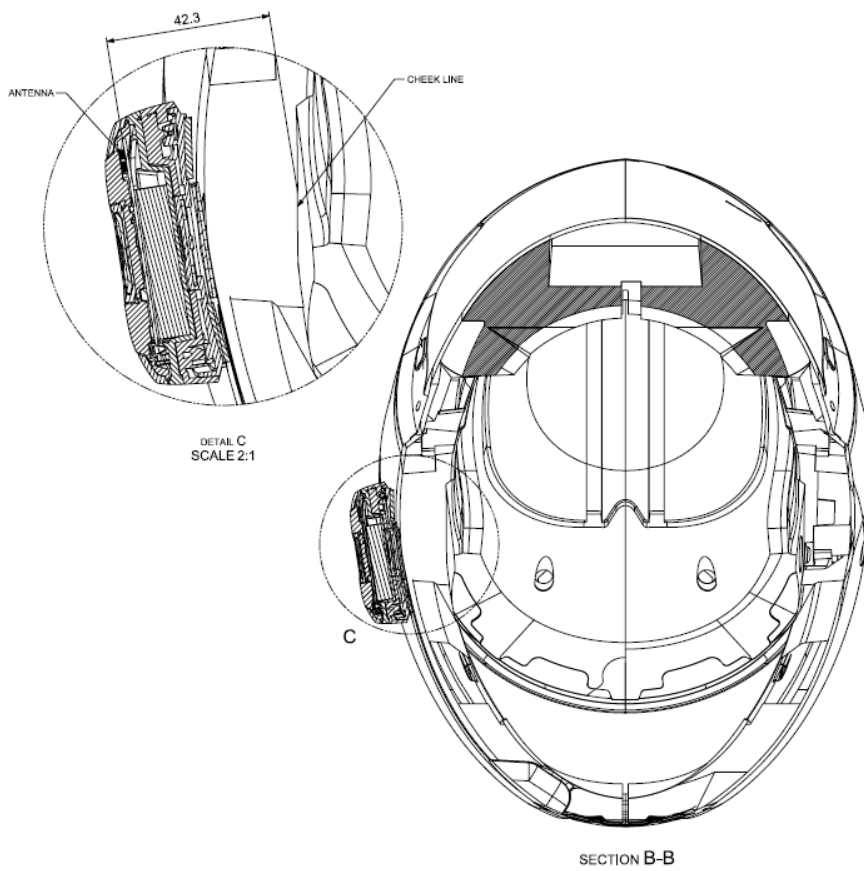
Sena Technologies, Inc.

Nov 30th, 2018

Applicant : Sena Technologies, Inc.

FCC ID: S7A-SP52 / IC: 8154A-SP52

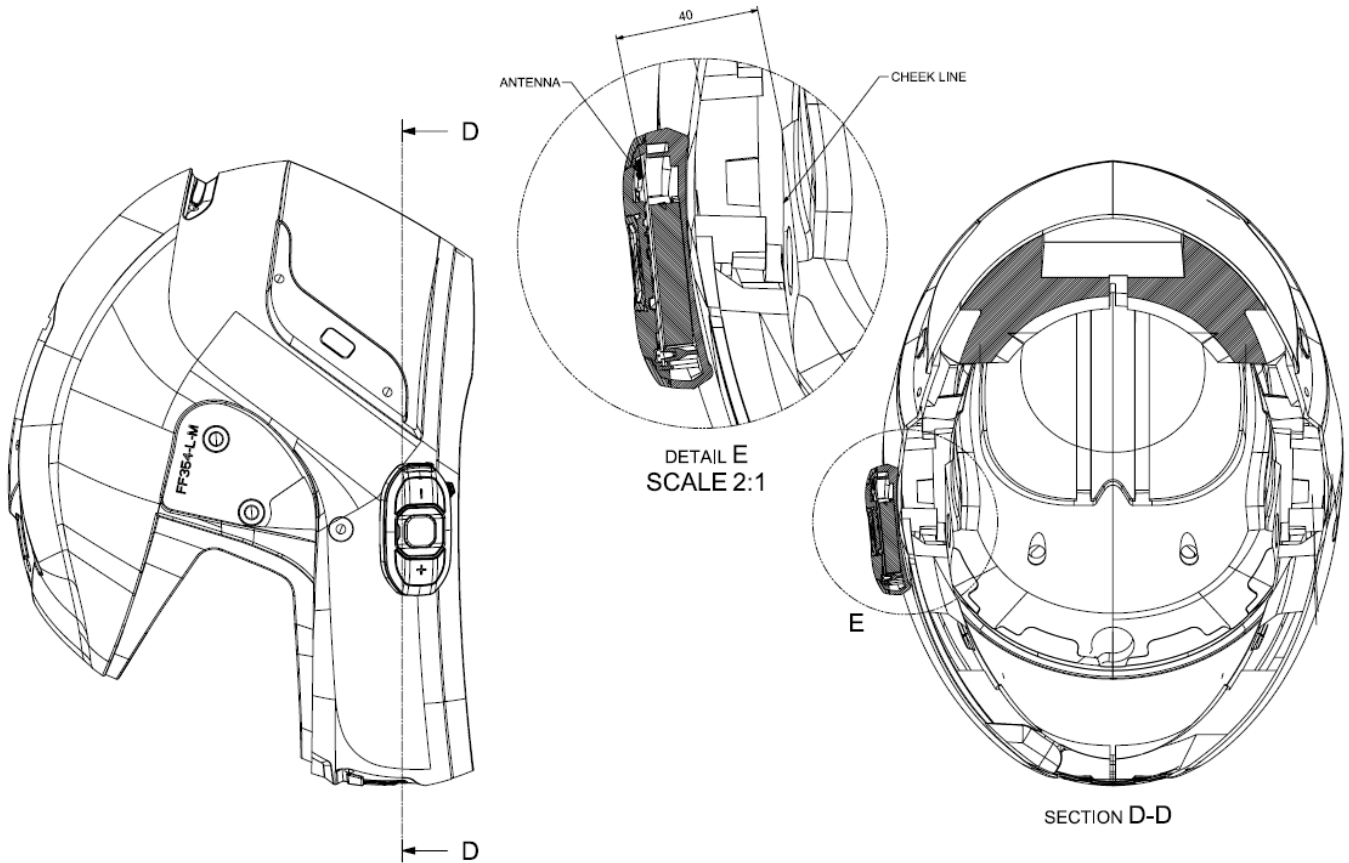
So, We, Sena Technologies, Inc. confirm that when equipped, the distance between antenna and one's head is 42.3 mm for SP52-C, PS52-A, SP52-B.





Sena Technologies, Inc.

And, Sena Technologies, Inc. confirm that when equipped, the distance between antenna and one's head is 40 mm for SP52-R.



Sincerely,

Seunhyun Kim / Research Engineer