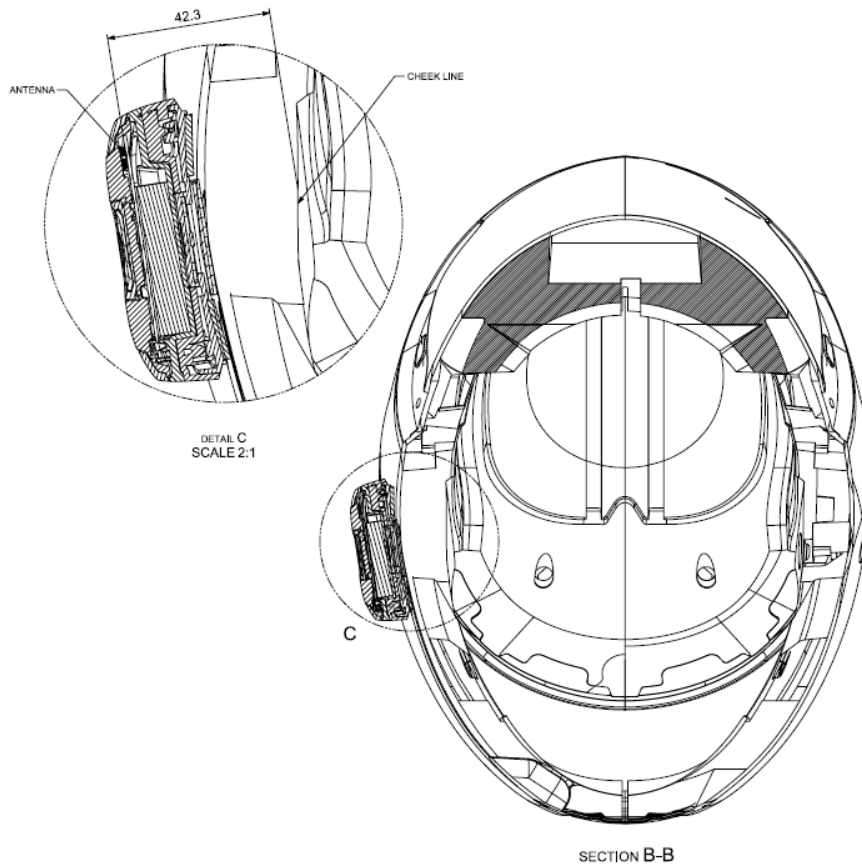


Nov 30th, 2017

Applicant: **SENA TECHNOLOGIES.Inc**
FCC ID: **S7A-SP52**
IC : **8154A-SP52**

So, We, Sena Technologies,Inc. confirm that when equipped, the distance between antenna and one's head is 42.3mm.



Seunghyun Kim
Research Engineer