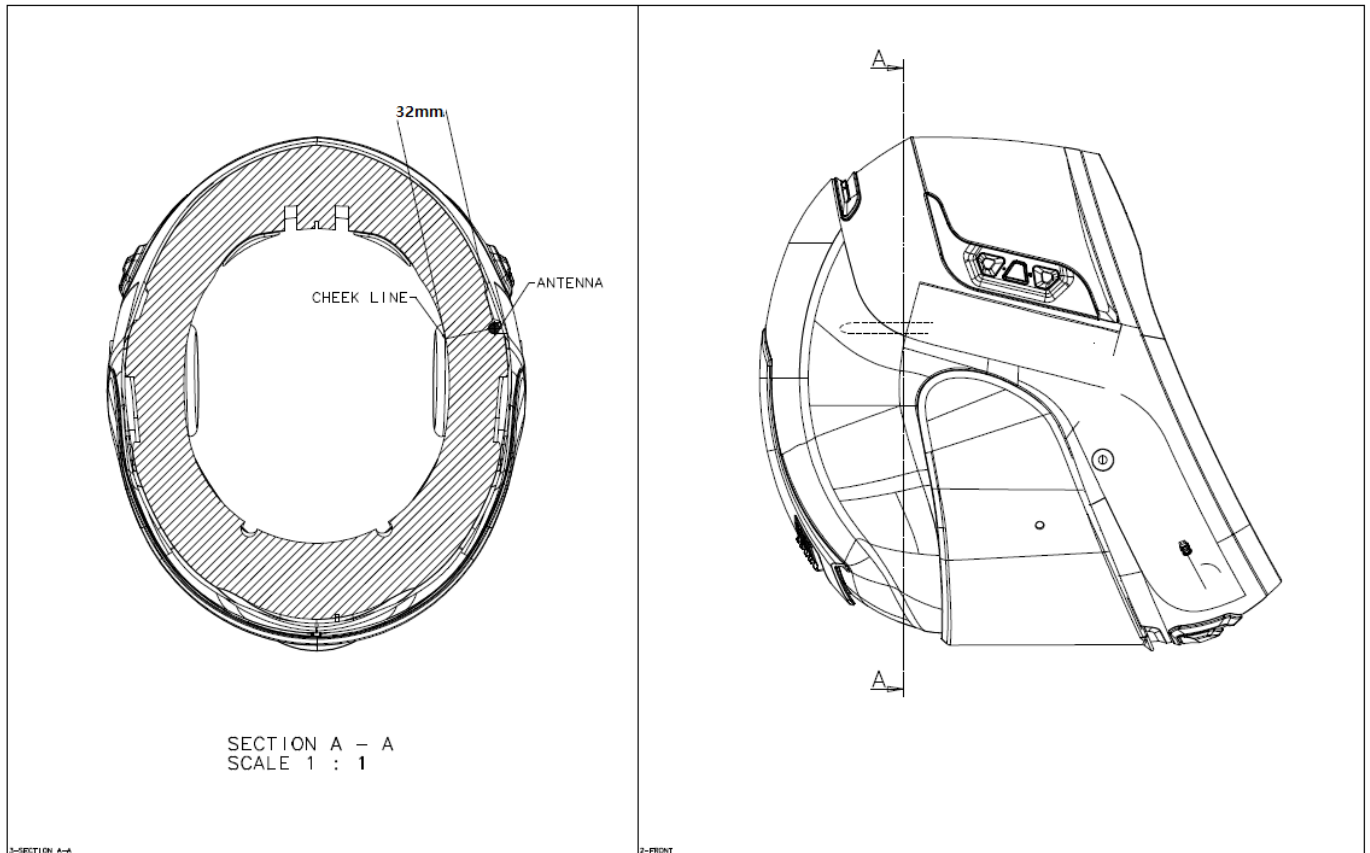


Mar 13th, 2018

Applicant: **SENA TECHNOLOGIES.Inc**

FCC ID: **S7A-SP44 / IC: 8154A-SP44**

So, We, Sena Technologies,Inc. confirm that when equipped, the distance between antenna and one's head is 32mm.



Seunghyun Kim
Research Engineer