



Sena Technologies, Inc.

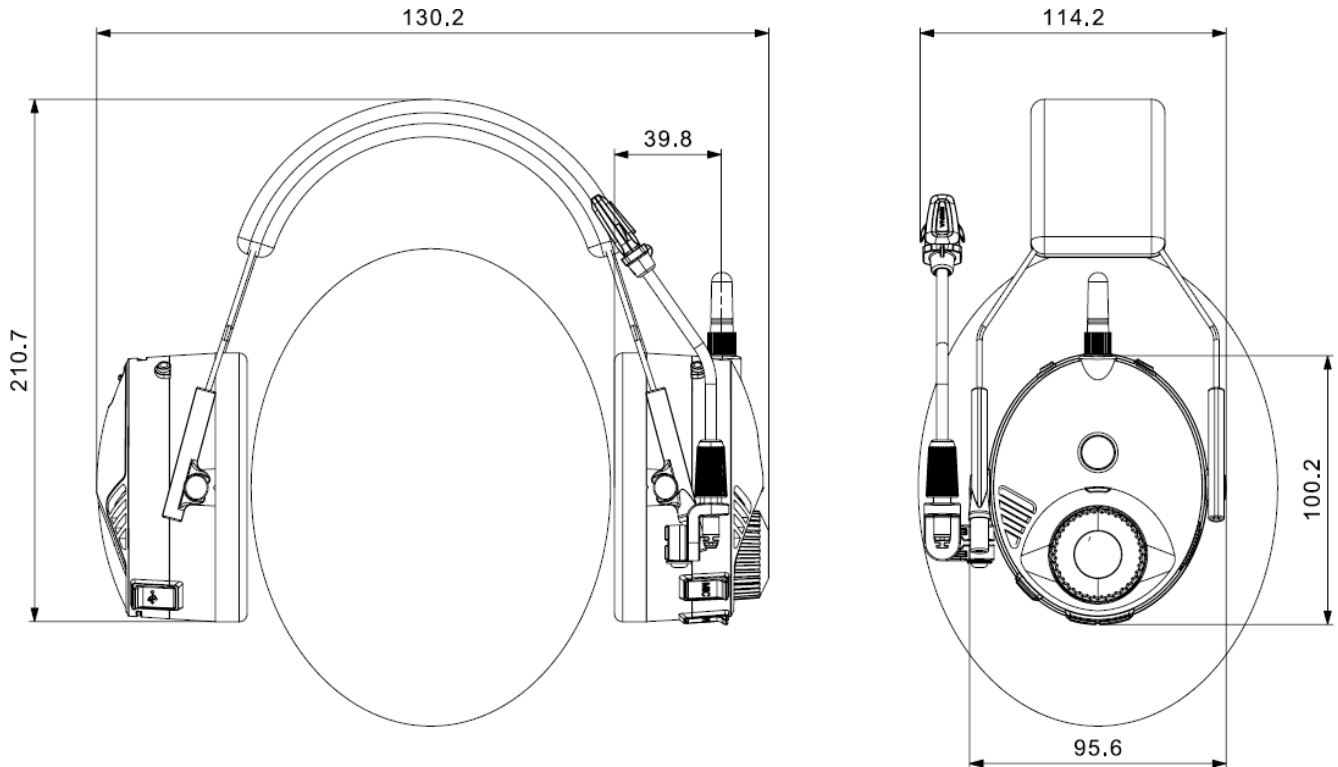
19, Heolleung-ro 569-gil, Gangnam-gu, Seoul, South Korea

Nov 27th, 2018

Applicant : Sena Technologies, Inc.

FCC ID: S7A-SP27 / IC: 8154A-SP27

So, We, Sena Technologies, Inc. confirm that when equipped, the distance between antenna and one's head is 39.8 mm. The end users can NOT change arbitrarily the position of the antenna on the market.



Sincerely,

Seunhyun Kim / Research Engineer