

Wristband Remote

SENA

www.sena.com

User's Guide

© 1998-2015 Sena Technologies, Inc. All rights reserved.

Sena Technologies, Inc reserves the right to make any changes and improvements to its product without providing prior notice.

Sena™ is a trademark of Sena Technologies, Inc. or its subsidiaries in the USA and other countries. 20S™, SMH10™, SMH5™, SMH5-FM™, SPH10™, SPH10H™, SPH10H-FM™, SMH10R™, SPH10S™, SPH10H™, SR10™, SM10™, EXPAND™, Bluetooth Pack for GoPro® are trademarks of Sena Technologies, Inc. or its subsidiaries. These trademarks may not be used without the express permission of Sena.

GoPro® is a registered trademark of Woodman Labs of San Mateo, California. Sena Technologies, Inc. ("Sena") is not affiliated with Woodman Labs. The Sena Bluetooth Pack for GoPro® is an after-market accessory specially designed and manufactured by Sena Technologies, Inc. for the GoPro® Hero3 allowing for Bluetooth capabilities.

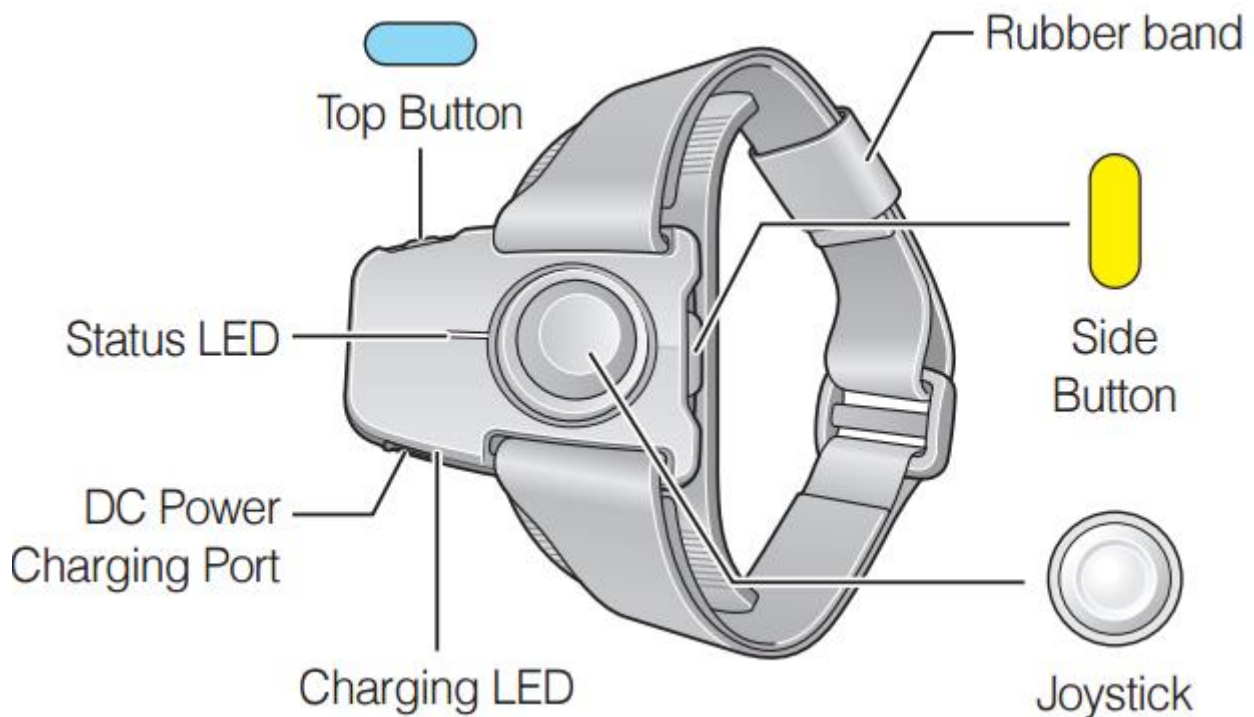
The Bluetooth® word mark and logos are owned by the Bluetooth SIG, Inc. and any use of such marks by Sena is under license. iPhone, iPod touch are registered trademarks of Apple Inc. Zumo™ is a trademark of Garmin Ltd. or its subsidiaries. TomTom™ is the trademark or registered trademark owned by TomTom International B.V. Other trademarks and tradenames are those of their respective owners.

1 INTRODUCTION

Thank you for choosing the Sena Wristband Remote, remote control for Sena motorcycle bluetooth headsets. With the Wristband Remote, you can control your headset from your wrist. The Wristband Remote is compliant with Bluetooth 4.1 Sena headsets. Check www.sena.com for more information.

2 PACKAGE CONTENTS

Wristband Remote Unit



3 INSTALLING THE WRISTBAND REMOTE

1. Use the straps to wear the Wristband Remote on your wrist.
2. After you wear the Wristband Remote, put the strap inside the rubber band.

4 GETTING STARTED

4.1 Charging

You can charge the Wristband Remote by connecting the supplied USB power & data cable into a computer's USB port or USB wall charger. You can use any standard micro-USB cable to charge the Wristband Remote. The LED turns red while the headset is charging and turns blue when it is fully charged. It takes about 2.5 hours to be fully charged.

4.2 Powering On and Off

Press the Side Button to turn on the Wristband Remote. Press the Side Button and the Joystick simultaneously to turn off the device.

5 PAIRING WITH YOUR HEADSET

Before using the Wristband Remote with any other Sena headsets for the first time, you will need to pair them together. The pairing operation is required only once for each Bluetooth device. The device remains paired with the headsets and automatically reconnects to them when they are within range.

1. Turn on the Wristband Remote and press and hold the Top Button for 5 seconds.
2. Place the headset into Remote Control Pairing mode inside the configuration menu. Please refer to the headset's manual for details.
3. Wait until the headset's LED turns blue.

Note:

The Wristband Remote is compliant only with Bluetooth 4.1 Sena Headsets.

6 REMOTE CONTROL FUNCTIONS

6.1 Mobile Phone Call Making and Answering

Please have your headset Bluetooth paired to a phone before using the mobile phone functions with the Wristband Remote.

1. When you have an incoming call, simply tap the Top Button or the Side Button to answer the call.
2. To end a call, tap the Top Button or press the Side Button for 2 seconds until you hear a beep, or wait for the called person to end the call.
3. To reject a call, press the Side Button for 2 seconds until you hear a beep while the phone is ringing.
4. To transfer a call between the mobile phone and the headset during the phone conversation, press the Side Button for 2 seconds until you hear a beep.
5. Double tap the Top Button to enter into speed dials.

6.2 Bluetooth Stereo Music

Please have your headset Bluetooth paired to a media device before using the Bluetooth stereo music functions with the Wristband Remote.

1. To play or pause music, press and hold the Joystick for 1 second until you hear a double beep.
2. To adjust volume, move the Joystick up or down.
3. To track forward or track back, move the Joystick left or right for 1 second.

6.3 Intercom

You can start an intercom conversation with one of any intercom friends by tapping the Side Button: single tap to intercom with the first intercom friend, double tap to intercom with the second intercom friend, and triple tap to intercom with the third intercom friend. To terminate an intercom conversation, single tap the Side Button. Any intercom connection with any intercom friend will be terminated by a single tap. A double or triple tap will do nothing in this case.

6.4 FM Radio

To turn on the FM radio, press and hold the Top Button for 1 second until you hear a mid-toned double beep sound. To turn off the FM radio, press and hold the Top Button for 1 second.

1. You can listen to preset stations while listening to the FM radio. Tap the Top Button once to go upward to your next saved preset station.
2. Push the Joystick right or left to seek station frequencies up or down.
3. Double tap the Top Button to scan up the radio frequencies. Tap the Top Button if you want to save the station.
4. Press and hold the Side Button for 1 seconds to enter into preset mode. Push the Joystick up or down to seek through the presets. Tap the Side Button if you want to save the preset. Tap the Top Button if you want to delete the preset.

6.5 Configuration Menu

Press and hold the Side Button for about 12 seconds to enter into configuration setting mode.

CERTIFICATION AND SAFETY APPROVALS

FCC Compliance Statement

This device complies with part 15 of the FCC rules. Operation is subject to the following two conditions:

- (1) This device may not cause harmful interference, and
- (2) This device must accept any interference received, including interference that may cause undesired operation.

This equipment has been tested and found to comply with the limits for a Class B digital device pursuant to part 15 of the FCC rules. These limits are designed to provide reasonable protection against harmful interference in a residential installation. This equipment generates, uses and can radiate radio frequency energy and, if not installed and used in accordance with the instructions, may cause harmful interference to radio communications. However, there is no guarantee that interference will not occur in a particular installation. If this equipment does cause harmful interference to radio or television reception, which can be determined by turning the equipment on and off, the user is encouraged to try to correct the interference by one or more of the following measures:

- Reorient or relocate the receiving antennae
- Increase the separation between the equipment and the receiver
- Connect the equipment into an outlet on a circuit different from that to which the receiver is connected.
- Consult the dealer or an experienced radio/TV technician for help.

FCC RF Exposure Statement

This equipment complies with FCC radiation exposure limits set forth for an uncontrolled environment. End users must follow the specific operating instructions for satisfying RF exposure compliance. The antenna used for this transmitter must not transmit simultaneously with any other antenna or transmitter, except in accordance with FCC multi-transmitter product procedures.

FCC Caution

Any changes or modifications to the equipment not expressly approved by the party responsible for compliance could void user's authority to operate the equipment.

CE Declaration of Conformity

This product is CE marked according to the provisions of the R&TTE Directive (99/5/EC). Hereby, Sena declares that this product is in compliance with the essential requirements and other relevant provisions of Directive 1999/5/EC. For further information, please consult www.sena.com. Please note that this product uses radio frequency bands not harmonized within EU. Within the EU this product is intended to be used in Austria, Belgium, Denmark, Finland, France, Germany, Greece, Ireland, Italy, Luxembourg, The Netherlands, Portugal, Spain, Sweden, United Kingdom and within EFTA in Iceland, Norway and Switzerland.

Industry Canada Statement

This device complies with Industry Canada license-exempt RSS standard(s). Operation is subject to the following two conditions:

- (1) This device may not cause interference.
- (2) This device must accept any interference, including interference that may cause undesired operation of the device.

Bluetooth License

The Bluetooth® word mark and logos are owned by the Bluetooth SIG, Inc. and any use of such marks by Sena is under license. Other trademarks and trade names are those of their respective owners.

The product is compliant with and adopts the Bluetooth® Specification 3.0 and has successfully passed all interoperability tests that are specified in the Bluetooth® specification. However, interoperability between the device and other Bluetooth®-enabled products is not guaranteed.

WEEE (Waste Electrical and Electronic Equipment)



The crossed-out wheel bin symbol on the product, literature, or packaging reminds you that all electrical and electronic products, batteries, and accumulators must be taken to separate collection at the end of their working life. This requirement applies to the European Union and other locations where separate collection systems are available. To prevent possible harm to the environment or human health from uncontrolled waste disposal, please do not dispose of these products as unsorted municipal waste, but hand it in at an official collection point for recycling.

SAFETY INFORMATION

Please ensure that the product is properly used by observing the warnings and cautions below to prevent any risk and/or damage to property.

Product Storage and Management

- Keep the product free of dust. It may damage mechanical and electronic parts of the product.
- Do not store the product in high temperatures as this may reduce the life span of electronic devices, damage the battery, and/or melt plastic parts of the product.
- Do not store the product in cold temperatures. Abrupt changes in temperatures may cause condensation and damage electronic circuits. Do not clean the product with cleaning solvents, toxic chemicals, or strong detergents as this may damage the product.
- Do not paint the product. Paint may obstruct moving parts or interfere with the normal operation of the product.
- Do not drop or otherwise shock the product. It may damage the product or its internal electronic circuits.
- Do not disassemble, repair or modify the product as this may damage the product and invalidate the product

warranty.

Product Use

- In some regions, it is prohibited by law to ride motorcycles or bicycles while wearing headsets. Therefore be certain to comply with all relevant laws in the region before using the product.
- Use of the product at a high volume for a long period of time may damage your eardrums or hearing ability. Keep the volume at a modest level.
- Do not cause impact to the product or touch it with sharp tools as this may damage the product.
- Do not use the product in high-temperatures or apply heat to the product as this may cause damage, explosion, or fire.
- Keep the product dry and away from water. It may damage the product.
- Keep product away from pets or small children. It may damage the product or cause accidents.
- Do not use the product near a microwave oven or a wireless LAN device as this may cause malfunction or interference with the product.
- In any place where wireless communication is prohibited, such as hospitals or airplanes, turn off the power and refrain from using the product. In a place where wireless communication is prohibited, electromagnetic waves may cause hazards or accidents.
- Do not use the product near hazardous explosives. When there are near any explosion hazards, turn off the power and heed any regulations, instructions, and signs in the area.
- When using the product, drive at a low speed (slower than 35km/h) for safety. In addition, be certain to conform to laws regarding the use of communications devices while driving.
- Do not put the product where it may hamper the driver's vision or manipulate it while driving. This may cause traffic accidents.
- Before driving, fasten the product to the helmet, and double-check that it is fastened. Separation of the product while driving may cause damage to the product or accidents.
- If the product is damaged, stop using it immediately. It may cause damage, explosion, or fire.

Battery

This product has an irreplaceable rechargeable battery inside. Therefore, when using the product, make sure to adhere to the following:

- Never separate the battery from the product as this may damage the product.
- The battery performance may be reduced over time with usage.
- In recharging the battery, make sure to use an approved charger provided by the manufacturer. Use of a non-approved charger may cause fire, explosion, leakage, and other hazards may also reduce the life time or performance of the battery.
- Store the battery at temperatures of 15°C~25°C (59°F~77°F). Higher or lower temperatures may reduce the capacity and life of the battery, or may cause temporary non-operation. Do not use the product in sub-zero temperature, because it may cause serious reduction of the battery performance.

- If you apply heat to the battery or throw it into fire, it may explode.
- Do not use the product with a damaged battery. It may explode and/or cause accidents.
- Never use a damaged charger. It may explode and/or cause accidents.
- Battery life may vary depending on conditions, environmental factors, functions of the product in use, and devices used with it.

PRODUCT WARRANTY AND DISCLAIMER

Limited Warranty

Limited Warranty

Sena Technologies, Inc. ("Sena") guarantees the product quality based on the technical specification stated in the product manual, and data regarding product warranty. Here, product warranty extends to the product only. Sena will not be liable for any loss, damage of human life, or loss of property which may result from using the product beyond defective parts or flaws that occur due to problems in manufacture.

Warranty Period

Sena guarantees free-of-charge replacements of defective parts of the product or flaws that may have occurred due to problems in manufacture for a period of 2 years from the date of initial purchase.

Termination

Quality warranty of the product becomes effective on the date of initial purchase. In addition, the quality warranty of the product expires when the warranty period expires. However, in the following cases, the warranty will be terminated prematurely.

- In the event the product has been sold or transferred to a third party.
- In the event the manufacturer's name, serial number, product label, or other markings have been modified or removed.
- In the event any unauthorized person has tried to disassemble, repair, or modify the product.

Notice and Waiver

By buying and using this product, you relinquish considerable legal rights including any claim for compensation for damages. Therefore, be certain to read and understand the following terms and conditions before using the product. Use of this product will constitute consent to this agreement, and forfeiture of rights to all claims. If you do not consent to all the terms and conditions of this agreement, return the product for a refund. (Refer to the section "Return for Full Refund".)

1. You agree that you, your descendants, legal proxies, successors, or transferees will not raise permanent volitional request for any suit, claim, implementation, redemption or similar action from Sena with regard to any occasion such as difficulty, pain, suffering, inconvenience, loss, injury, or death which may occur to you or a third party during the use of this product.
2. You must completely understand and accept all risks (including those occurring due to any careless behavior of yours or others) which may occur during the use of this product.

3. You are responsible for ensuring that your medical condition permits usage of the product and that you are in sufficient physical condition for using any device which can be used with it. In addition, you must ensure that the product does not limit your abilities and that you are able to use it safely.
4. You must be an adult who can take responsibilities for using the product.
5. You must read and understand the following warnings and alerts:
 - Sena; together with employees, managers, partners, subsidiaries, representatives, agents, supporting firms and suppliers, sole sellers of Sena (collectively referred to as "the company") recommend that, before using the product and similar devices of any brands including its derivative models, you collect any relevant information in advance and be entirely prepared in terms of weather, traffic situation, and road conditions.
 - When you use the product while you operating any vehicle or equipment such as motorcycles, scooters, mopeds, ATVs, or quad-bikes (hereinafter called as "transportation means"), you must take complete caution regardless of the location of such operation.
 - Use of the product on the road may cause such risks as fracture, serious disability, or death.
 - Risk factors, which may occur when you use the product, may be due to errors of the manufacturer, its agents, or third parties which are involved in the manufacturing.
 - Risk factors, which may occur when you use the product, may be unforeseeable. Therefore, you must take full responsibility for any damage or loss caused by all risk factors which may occur when using the product.
 - When you use the product, use good judgment; never use it under the influence of alcohol.
6. You must read and completely understand all terms and conditions of legal rights and warnings that are involved in using the product. In addition, usage of the product constitutes acceptance of all terms and conditions regarding waiver of rights.

Warranty Exclusions

Reasons for Limited Liabilities

If you do not return the product after purchasing it, you relinquish all rights to liabilities, loss, claims, and claims for reimbursement of expenses (including attorney's fees). Therefore, Sena will not be liable for physical injury, death, or any loss or damage of transportation means, possessions, or assets which belong to you or third parties that may have occurred while you use the product. Further, Sena will not be liable for any substantial damage not related to the, condition, environment, or malfunction of the product. All risks related with the operation of the product depend entirely on the user regardless of its use by the initial purchaser or a third party.

Use of this product may violate local or national laws. In addition, be aware once again that correct and safe use of the product is entirely your responsibility.

Limitation of Liability

TO THE FULL EXTENT ALLOWED BY LAW, SENA EXCLUDES FOR ITSELF AND ITS SUPPLIERS ANY LIABILITY, WHETHER BASED IN CONTRACT OR TORT (INCLUDING NEGLIGENCE), FOR INCIDENTAL, CONSEQUENTIAL, INDIRECT, SPECIAL, OR PUNITIVE DAMAGES OF ANY KIND, OR FOR LOSS OF REVENUE OR PROFITS, LOSS OF BUSINESS, LOSS OF INFORMATION OR DATA, OR OTHER FINANCIAL LOSS ARISING OUT OF OR IN CONNECTION WITH THE SALE, INSTALLATION, MAINTENANCE, USE, PERFORMANCE, FAILURE, OR

INTERRUPTION OF ITS PRODUCTS, EVEN IF SENA OR ITS AUTHORIZED RESELLER HAS BEEN ADVISED OF THE POSSIBILITY OF SUCH DAMAGES, AND LIMITS ITS LIABILITY TO REPAIR, REPLACEMENT, OR REFUND OF THE PURCHASE PRICE PAID, AT SENA'S OPTION. THIS DISCLAIMER OF LIABILITY FOR DAMAGES WILL NOT BE AFFECTED IF ANY REMEDY PROVIDED HEREIN SHALL FAIL OF ITS ESSENTIAL PURPOSE. IN ANY CASE, THE TOTAL COMPENSATION LIABILITIES OF SENA OR ITS SALES AGENTS SHALL NOT EXCEED THE PRICE PAID FOR THE PRODUCT BY THE PURCHASER.

Liabilities Disclaimer

In addition to damages which may occur due to the use of the product, Sena will not be liable for damages of the product which occur due to the following events.

In the event the product is misused or used for purposes other than its intended purposes.

In the event the product is damaged because the user does not follow the content of the product manual.

In the event the product is damaged because it has been left unattended or has undergone any other accident.

In the event the product is damaged because the user has used any parts or software which are not provided by the manufacturer.

In the event the product is damaged because the user has disassembled, repaired, or modified it in such way as is not explained in the product manual.

In the event the product is damaged by a third party.

In the event the product is damaged due to Acts of God (including fire, flood, earthquake, storm, hurricane or other natural disaster).

In the event the surface of the product is damaged by use.

Warranty Service

To obtain product warranty service, send the defective product, at your expense, to the manufacturer or the seller along with proof of purchase (a receipt that shows the purchase date, a product registration certificate of the Website, and other relevant information). Take necessary measures to protect the product. In order to get a refund or replacement, you must include the whole package as it was purchased.

Free-of-charge Service

Sena will provide free-of-charge repair or replacement service for the product when product defects occur within the scope of the product warranty during the warranty period.

Charged Service

Sena will provide charged repair or replacement service for the product when the product warranty period has been expired or when the product damage is beyond the scope of the product warranty. For further information on charged service, you may contact the service center of Sena.

Return for Full Refund

Should you not agree to the terms and conditions explained above, you may return the product for a full refund. To get a refund, within 14 days from the purchase date you must return the product to the seller in such a condition as it was purchased.

Unless you return the product within 14 days from the purchase date, you will have read and agreed to all the terms and conditions explained above, and Sena will not be liable for any claim for damages related with the product.

CERTIFICATION ET HOMOLOGATION EN TERMES DE SÉCURITÉ

Déclaration de conformité FCC

Cet appareil est en conformité avec la partie 15 de la réglementation FCC. L'exploitation est autorisée aux deux conditions suivantes :

- (1) Cet appareil ne doit pas créer d'interférences préjudiciables et
- (2) Cet appareil doit accepter toutes les interférences reçues, y compris celles qui pourraient entraver son bon fonctionnement.

Ce matériel a été testé et déclaré en conformité avec les limites d'un appareil numérique de Classe B, suivant la partie 15 de la réglementation FCC. Ces limites sont destinées à assurer une protection raisonnable contre les interférences préjudiciables dans un environnement résidentiel. Ce matériel génère, utilise et peut dégager de l'énergie en radio fréquence et, s'il n'est pas installé et utilisé en conformité avec les instructions, peut provoquer des interférences préjudiciables avec les communications radio. Cependant, il n'y a aucune garantie que des interférences ne se produiront pas dans des installations particulières. Si ce matériel provoque des interférences préjudiciables à une réception radio ou TV, ce qui peut être déterminé en allumant puis en éteignant l'appareil, il est vivement recommandé à l'utilisateur d'essayer de mettre un terme à ces interférences en prenant l'une des mesures suivantes :

Réorienter ou repositionner l'antenne réceptrice Augmenter la séparation entre le matériel et le récepteur.

Connecter le matériel à une sortie sur un circuit différent de celui sur lequel le récepteur est connecté.

Contactez le revendeur ou un technicien radio/TV expérimenté pour une assistance.

Énoncé FCC sur l'exposition aux radiations RF :

Cet équipement est conforme aux réglementations FCC d'exposition aux radiations définies pour un environnement non contrôlé. Les utilisateurs suivront les instructions d'exploitation spécifiques pour répondre aux exigences de conformité sur l'exposition aux RF. L'antenne utilisée pour cet appareil ne doit pas fonctionner en même temps qu'une autre antenne ou émetteur, sauf s'il y a conformité avec les procédures FCC des produits multi-émetteurs.

Précautions FCC

Tout changement ou modification apporté au matériel qui n'aurait pas été approuvé par le responsable de la conformité pourrait invalider le droit de l'utilisateur à faire fonctionner ce matériel.

Déclaration de conformité CE

Ce produit porte un marquage CE, conformément aux dispositions de la directive R&TTE (99/5/CE). Sena déclare par la présente que ce produit est conforme aux exigences principales et autres dispositions correspondantes de la directive 1999/5/CE. Pour plus d'informations, veuillez consulter le site www.senablueetooth.fr. Veuillez noter que ce produit utilise des bandes de radio fréquence non uniformisées au sein de l'Union Européenne. Au sein de l'Union Européenne, ce produit est destiné à être utilisé en Autriche, Belgique, Danemark, Finlande, France, Allemagne, Grèce, Irlande, Italie, Luxembourg, Pays-Bas, Portugal, Espagne, Suède et Royaume-Uni et au sein de l'AELE, en Islande, Norvège et Suisse.

Déclaration de conformité IC (Industrie Canada)

Le présent appareil est conforme aux CNR d'Industrie Canada applicables aux appareils radio exempts de licence. L'exploitation est autorisée aux deux conditions suivantes :

- (1) Cet appareil ne doit pas créer d'interférences.
- (2) Cet appareil doit accepter toutes les interférences reçues, y compris celles qui pourraient entraver son bon fonctionnement.

Licence Bluetooth

La marque et les logos Bluetooth® sont la propriété de Bluetooth SIG, Inc et toute utilisation de ces marques par Sena s'effectue sous licence. D'autres marques et appellations commerciales sont celles de leurs propriétaires respectifs. Le produit est conforme à et suit la spécification Bluetooth® 3.0 et a réussi tous les tests d'interopérabilité mentionnés dans la spécification Bluetooth®. Cependant, l'interopérabilité entre l'appareil et d'autres produits Bluetooth® n'est pas garantie.

WEEE(DEEE:Déchets d'équipements électriques et électroniques)

Le symbole poubelle barrée figurant sur le produit, la documentation ou l'emballage signifie que tous les produits électriques et électroniques, les batteries et les accumulateurs doivent être conduits en fin de vie dans une structure de récupération et de recyclage séparée. Cette exigence s'applique à l'Union Européenne mais aussi aux autres pays où des systèmes de récupération et de recyclage séparés existent. Pour prévenir toutes les conséquences possibles pour l'environnement ou la santé d'une élimination de déchets non contrôlée, veuillez ne pas considérer ces produits comme des déchets ménagers, mais vous rendre dans une structure de récupération officielle pour le recyclage.

INFORMATIONS SUR LA SÉCURITÉ

Veuillez vous assurer que le produit est utilisé de manière adéquate en respectant les avertissements et précautions énumérés ci-dessous pour éviter tout risque et/ou dommage matériel.

Rangement du produit et manipulation

Garder le produit à l'abri de la poussière. Cela pourrait endommager les pièces mécaniques et électroniques du produit.

Ne pas ranger le produit dans des zones chaudes car cela pourrait réduire la durée de vie des appareils électroniques, endommager la batterie et/ou faire fondre les pièces en plastique du produit.

Ne pas stocker l'appareil dans des zones froides. Des changements de températures brusques peuvent former de la condensation et endommager les circuits électroniques. Ne pas nettoyer le produit avec des solvants de nettoyage, des produits chimiques toxiques ou des détergents puissants car cela pourrait endommager le produit.

Ne pas peindre le produit. La peinture pourrait obstruer les pièces amovibles ou interférer avec le fonctionnement normal du produit.

Ne pas laisser tomber ou cogner l'appareil. Cela pourrait endommager le produit ou ses circuits électroniques internes.

Ne pas démonter, réparer ou modifier le produit car cela pourrait endommager le produit et annuler la garantie du produit.

Utilisation du produit

- Dans certaines régions, la loi interdit le port d'écouteurs en étant à moto ou à vélo. Assurez-vous donc de respecter toutes les lois correspondantes dans la région avant d'utiliser le produit.
- L'utilisation du produit à volume élevé pendant une période prolongée peut endommager les tympans ou la capacité auditive. Garder le volume sonore à un niveau modéré.
- Ne pas heurter le produit ou le toucher avec des outils tranchants car cela pourrait l'endommager.
- Ne pas utiliser le produit dans des zones chaudes ou chauffer le produit car cela pourrait occasionner des dommages ou provoquer une explosion ou un incendie.
- Garder le produit au sec et à l'abri de l'eau. Cela pourrait endommager le produit.
- Tenir le produit hors de portée des animaux ou jeunes enfants. Cela pourrait endommager le produit ou provoquer des accidents.
- Ne pas utiliser le produit près d'un four à micro-ondes ou d'un appareil LAN sans fil car cela pourrait provoquer un dysfonctionnement ou des interférences avec le produit.
- Éteindre et ne pas utiliser pas le produit dans les endroits où les communications sans fil sont interdites comme les hôpitaux ou les avions. Les ondes électromagnétiques peuvent entraîner des risques ou des accidents dans ces endroits.
- Ne pas utiliser le produit près d'explosifs. En cas de risques d'explosion à proximité, éteindre le produit et respecter toute réglementation, instruction ou panneau présent dans la zone.
- Pour des raisons de sécurité, conduire à faible vitesse (inférieure à 35 km/h) pendant l'utilisation du produit. S'assurer en outre de respecter les lois concernant l'utilisation des appareils de communication lors de la conduite.
- Ne pas mettre le produit à un endroit où il pourrait entraver le champ de vision du conducteur et ne pas le manipuler durant la conduite. Cela pourrait causer des accidents de la route.
- Avant de conduire, attacher le produit au casque et s'assurer qu'il est bien fixé. Le retrait du produit durant la conduite peut provoquer des dommages au produit ou des accidents.
- Si le produit est endommagé, arrêter immédiatement de l'utiliser. Cela pourrait entraîner des dommages, une explosion ou un incendie.

Batterie

- Ce produit contient une batterie rechargeable irremplaçable à l'intérieur. S'assurer par conséquent lors de l'utilisation du produit de respecter ce qui suit :
- Ne jamais séparer la batterie du produit car cela pourrait endommager le produit.
- Les performances de la batterie peuvent s'altérer au fur à et mesure de son utilisation.
- Pendant le chargement de la batterie, s'assurer d'utiliser un chargeur agréé fourni par le fabricant. Utiliser un chargeur non agréé peut entraîner un incendie, une explosion, une fuite et d'autres risques et peut également réduire la durée de vie ou les performances de la batterie.
- Conserver la batterie à des températures entre 15 °C et 25 °C. Des températures supérieures ou inférieures peuvent réduire la capacité et la durée de vie de la batterie ou empêcher momentanément l'utilisation de celle-ci. Ne pas utiliser le produit en cas de températures en dessous de zéro car cela pourrait causer une réduction significative des performances de la batterie.
- Chauffer la batterie ou la jeter au feu peut provoquer son explosion.
- Ne pas utiliser le produit avec une batterie endommagée. Il pourrait exploser et/ou causer des accidents.
- Ne jamais utiliser un chargeur endommagé. Il pourrait exploser et/ou causer des accidents.
- La durée de vie de la batterie dépend des conditions, des facteurs environnementaux, des fonctions en cours d'utilisation du produit et des appareils utilisés conjointement.

Garantie limitée

Garantie limitée

Sena Technologies, Inc. (« Sena ») garantit la qualité du produit sur la base des caractéristiques techniques énoncées dans le manuel du produit et les données concernant la garantie du produit. La garantie du produit s'étend ici seulement au produit. Sena n'est pas responsable des pertes, blessures aux personnes ou pertes de propriétés qui pourraient résulter de l'utilisation du produit en dehors des pièces défectueuses ou des défauts survenant en raison de problèmes lors de la fabrication.

Période de garantie

Sena garantit le remplacement sans frais des pièces défectueuses du produit ou des défauts ayant pu survenir en raison de problèmes lors de la fabrication pour une période de deux ans à compter de la date d'achat initiale

FIN DE LA GARANTIE

La garantie de qualité du produit prend effet le jour de l'achat initial. De plus, la garantie de qualité du produit expire lorsque la période de garantie expire. Dans les cas suivants toutefois, la garantie prendra fin avant terme.

- Dans le cas où le produit a été vendu ou transféré à un tiers.
- Dans le cas où le nom, le numéro de série, l'étiquette du produit ou d'autres marquages du fabricant ont été modifiés ou supprimés.
- Dans le cas où une personne non autorisée a tenté de démonter, réparer ou modifier le produit.

Avis et renonciation

En achetant et en utilisant ce produit, vous renoncez à des droits légaux importants y compris les demandes d'indemnisation pour dommages. En conséquence, assurez-vous de lire et de comprendre les conditions suivantes avant d'utiliser le produit. L'utilisation de ce produit constitue un consentement au présent accord et un renoncement aux droits à toute indemnisation. Si vous ne consentez pas à toutes les conditions du présent accord, renvoyez le produit pour un remboursement. (Reportez-vous à la section « Renvoi pour remboursement total ».)

1. Vous convenez que vous, vos descendants, représentants légaux, héritiers, ou cessionnaires ne ferez de votre propre gré et, de manière permanente, de demande de procès, d'indemnisation, d'exécution, de rachat ou toute action similaire à l'encontre de Sena concernant toute occasion comme la difficulté, la douleur, la souffrance, le désagrément, la perte, la blessure ou le décès qui se produirait à votre encontre ou à un tiers durant l'utilisation de ce produit.
2. Vous devez parfaitement comprendre et accepter tous les risques (y compris ceux se produisant en raison de votre négligence ou d'autres) pouvant survenir durant l'utilisation de ce produit.
3. Vous avez la responsabilité de vous assurer que votre condition médicale permet l'utilisation du produit et que votre condition physique est suffisante pour utiliser tout appareil pouvant être utilisé conjointement. De plus, vous devez vous assurer que le produit ne limite pas vos capacités et que vous êtes en mesure de l'utiliser en toute sécurité.
4. Vous devez être majeur et porter la responsabilité de l'utilisation du produit.
5. Vous devez lire et comprendre les avertissements et les alertes suivantes :
 - Sena, en collaboration avec les employés, responsables, partenaires, filiales, représentants, agents, entreprises et fournisseurs impliqués, seuls vendeurs de Sena (collectivement désignés comme « l'entreprise ») vous recommandent, avant d'utiliser le produit et des appareils similaires de différentes marques y compris leurs modèles dérivés, de recueillir à l'avance toutes les informations pertinentes et d'être entièrement préparé quant aux conditions météorologiques et routières ainsi qu'à l'état de la circulation.
 - Si vous utilisez le produit tout en conduisant un véhicule tel que des
 - motos, scooters, cyclomoteurs, quatre-quatre ou quads (ci-après dénommés « moyens de transport »), vous devez faire preuve de la plus grande prudence quel que soit l'endroit d'utilisation.
 - L'utilisation du produit sur la route peut entraîner des risques de fractures, d'invalidité grave ou de décès.
 - Les facteurs de risque, pouvant survenir lorsque vous utilisez le produit, peuvent résulter d'erreurs du fabricant, de ses agents ou de tiers impliqués dans la fabrication.
 - Les facteurs de risque pouvant survenir lorsque vous utilisez le produit, peuvent être imprévisibles. Vous devez par conséquent porter l'entière responsabilité pour tout dommage ou perte causée par l'ensemble des facteurs de risque pouvant survenir lors de l'utilisation du produit.
 - Lorsque vous utilisez le produit, faites preuve de discernement ; ne l'utilisez jamais sous l'emprise de l'alcool.
6. Vous devez lire et comprendre intégralement toutes les conditions se rapportant aux droits légaux et aux avertissements qu'implique l'utilisation du produit. L'utilisation du produit constitue en outre une acceptation de l'ensemble des conditions concernant la renonciation des droits.

Exclusions de garantie

Raisons des limitations de responsabilité

Si vous ne renvoyez pas le produit après l'avoir acheté, vous renoncez à tous les droits de responsabilité, de pertes, de réclamations et d'indemnisations pour le remboursement des dépenses (y compris les honoraires d'avocat). Par conséquent, Sena n'est pas responsable des blessures physiques, décès ou pertes ou dommages des moyens de transport, possessions ou actifs vous appartenant ou appartenant à des tiers ayant pu se produire lors de votre utilisation du produit. D'autre part, Sena n'est pas responsable des dommages substantiels qui ne sont pas liés à l'état, à l'environnement ou au dysfonctionnement du produit. Tous les risques associés à l'utilisation du produit dépendent entièrement de l'utilisateur, quelle que soit son utilisation par l'acheteur d'origine ou d'un tiers.

L'utilisation de ce produit peut être contraire aux lois locales et nationales. De plus, soyez bien conscient que l'utilisation adéquate et sans danger de ce produit relève de votre entière responsabilité.

Limitation de responsabilité

DANS LES LIMITES PERMISES PAR LA LOI, SENA EXCLUT POUR ELLE-MÊME ET SES FOURNISSEURS TOUTE RESPONSABILITÉ CONTRACTUELLE OU DÉLICTUELLE (Y COMPRIS UNE NÉGLIGENCE) DE TOUT DOMMAGE DIRECT, CONSÉCUTIF, INDIRECT OU PUNITIF DE QUELQUE NATURE QUE CE SOIT, OU POUR LA PERTE DE REVENUS OU DE PROFITS, PERTES COMMERCIALES, PERTES D'INFORMATIONS OU DE DONNÉES OU TOUTE AUTRE PERTE FINANCIÈRE RÉSULTANT DE OU EN RELATION À LA VENTE, L'INSTALLATION, L'ENTRETIEN, L'UTILISATION, LA PERFORMANCE, LA PANNE OU L'INTERRUPTION DE SES PRODUITS, MÊME SI SENA OU SES REVENEURS AUTORISÉS ONT ÉTÉ AVERTIS DE L'ÉVENTUALITÉ DE TELS DOMMAGES, ET LIMITE SA RESPONSABILITÉ À RÉPARER, REMPLACER OU REMBOURSER LE PRIX D'ACHAT PAYÉ, AU CHOIX DE SENA. CET AVIS DE NON RESPONSABILITÉ POUR LES DOMMAGES NE SERA PAS AFFECTÉ SI UN RECOURS APPORTÉ PRÉSENTEMENT N'ATTEINT PAS SON BUT ESSENTIEL. DANS TOUS LES CAS, LES RESPONSABILITÉS D'INDEMNISATIONS TOTALES DE SENA OU DE SES AGENTS DE VENTE NE PEUVENT DÉPASSER LE PRIX PAYÉ POUR LE PRODUIT PAR L'ACHETEUR.

Exonération de responsabilités

Outre les dommages pouvant survenir en raison de l'utilisation du produit, Sena n'est pas tenu responsable des dommages du produit survenant en raison des situations suivantes.

- Dans le cas où il est fait mauvais usage du produit ou qu'il est utilisé dans un but autre que celui prévu.
- Dans le cas où le produit est endommagé car l'utilisateur ne suit pas le contenu du manuel du produit.
- Dans le cas où le produit est endommagé car il a été laissé sans surveillance ou a subi un autre accident.
- Dans le cas où le produit est endommagé car l'utilisateur s'est servi de pièces ou d'un logiciel n'étant pas fourni par le fabricant.
- Dans le cas où le produit est endommagé car l'utilisateur l'a démonté, réparé ou modifié d'une manière ne figurant pas dans le manuel du produit.
- Dans le cas où le produit est endommagé par un tiers.
- Dans le cas où le produit est endommagé en raison d'événements imprévisibles (y compris les incendies, inondations, tremblements de terre, tempêtes, ouragans et autres catastrophes naturelles).
- Dans le cas où la surface du produit est endommagée pour cause d'usure.

Service de garantie

Pour faire valoir vos droits à un service de garantie du produit, envoyez le produit défectueux, à vos frais, au fabricant ou revendeur accompagné de la preuve d'achat (un reçu indiquant la date d'achat, le certificat d'enregistrement du produit

du site internet et d'autres informations pertinentes). Prenez les mesures nécessaires pour protéger le produit. Afin d'obtenir le remboursement ou le remplacement du produit, vous devez inclure la totalité du paquet comme au moment de l'achat.

Service sans frais

Sena offre un service de réparation ou de remplacement sans frais du produit lorsque les défauts de produit rentrent dans la limite de la garantie du produit durant la période de garantie.

Service payant

Sena offre un service de réparation ou de remplacement payant du produit lorsque la période de garantie du produit a expiré ou lorsque les dommages causés au produit sortent du cadre de la garantie du produit. Pour de plus amples informations sur le service payant, vous pouvez contacter le centre de services de Sena.

Renvoi pour remboursement total

Si vous n'êtes pas d'accord avec les conditions exposées ci-dessus, vous pouvez renvoyer le produit pour un remboursement total. Pour obtenir le remboursement, vous devez renvoyer le produit au vendeur dans le même état dans lequel il a été acheté, dans une période de 14 jours à compter de la date d'achat.

À moins de renvoyer le produit dans une période de 14 jours à compter de la date d'achat, vous aurez lu et accepté l'ensemble des conditions exposées ci-dessus et Sena ne sera pas responsable de toute réclamation ou dommages associés au produit.

Hereby, SENA TECHNOLOGIES.Inc Declares that this SC-WR-01 is in compliance with the essential requirements and other relevant provisions of directive 1999/5/EC.

SENA

www.sena.com

User's Guide for Firmware v1.0