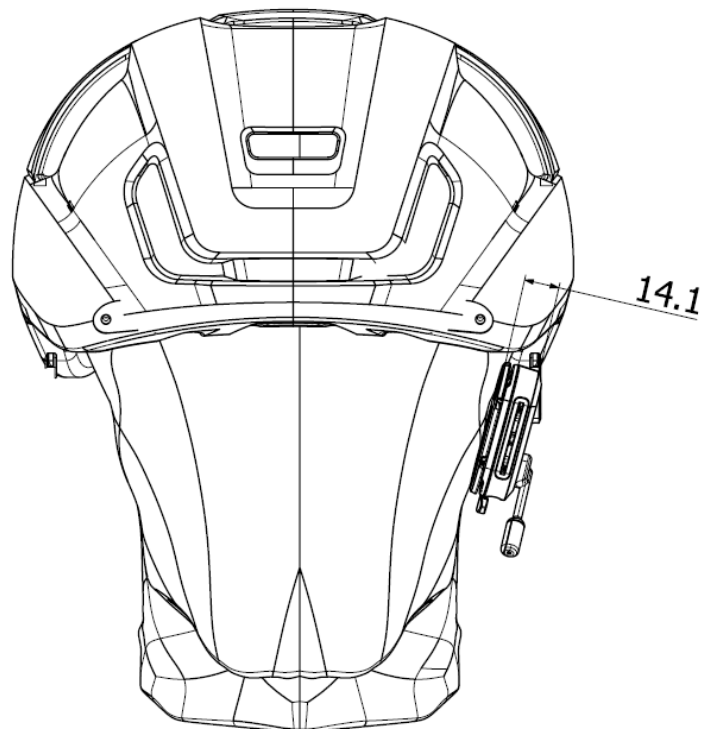


June 19 2024

**Applicant: Sena Technologies Co., Ltd.**  
**FCC ID: S7A-SP155 / IC: 8154A-SP155**

To. Whom it may concern:

We, Sena Technologies, Inc. declare that when equipped, the distance between antenna and one's head surface is 14.1mm.



A photograph of a handwritten signature in black ink on a white background. The signature is stylized and appears to read 'Seunghyun Kim'.

**Seunghyun Kim, Research Engineer**