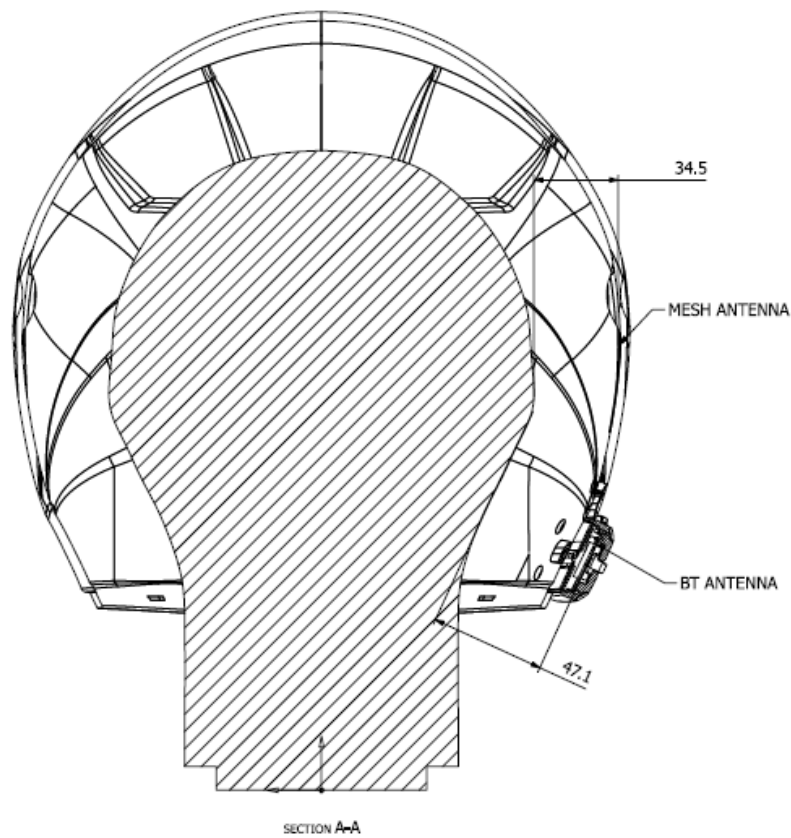


August 18th, 2022

Applicant: SENATECHNOLOGIES.Inc
FCC ID: S7A-SP133 / IC: 8154A-SP133

To. Whom it may concern:

We, Sena Technologies,Inc. declare that when equipped, the distance between antenna and one's head surface is 34.5mm.



Seunghyun Kim, Research Engineer