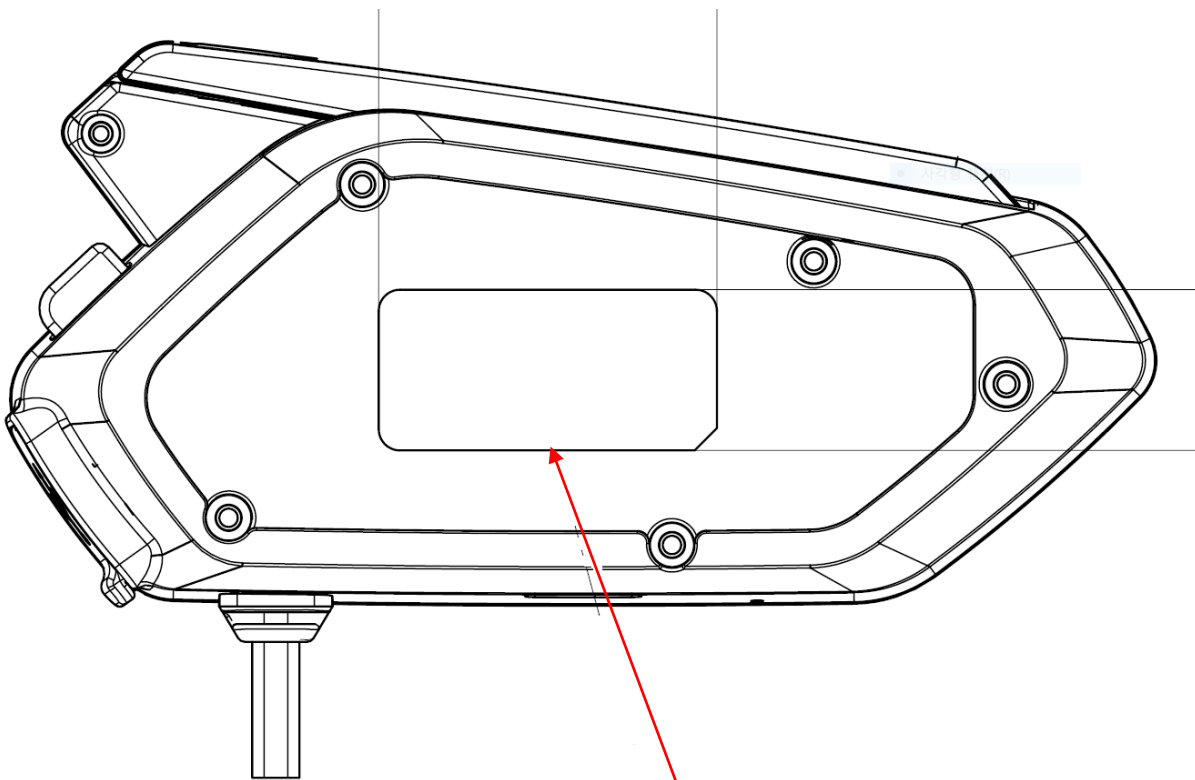


SOR   **UK**
Model : SP128
FCC ID : S7A-SP128
IC : 8154A-SP128
KC : R-C-SNA-SP128
5V_{DC} , 1.0A
Sena Technologies,
Inc. Made in China



Label location -bottom of sample.