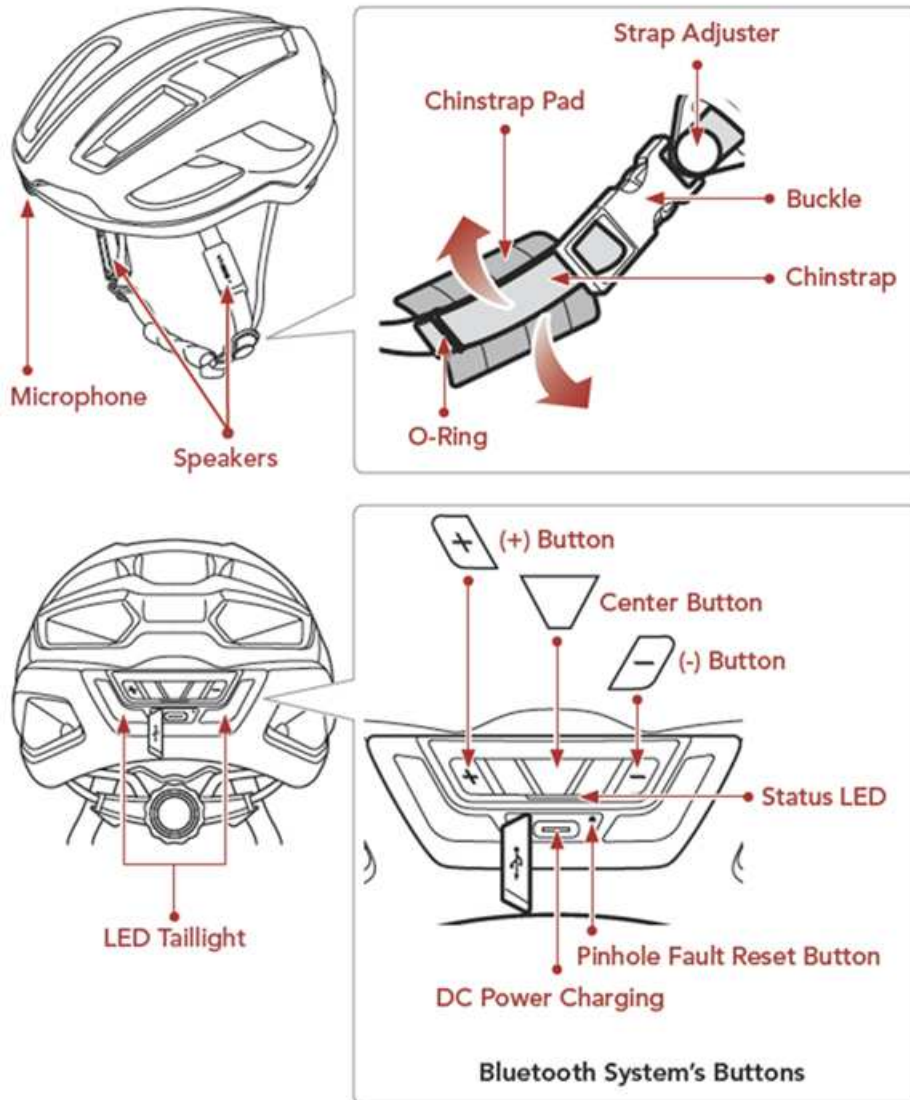


C1 Manual



Charging (The Bluetooth / LE function is not working while is charging.)

Red LED: Charging

Blue LED: Fully charged

Power On/Off

Power On : Press and hold the (+) Button and Center Button for 1 second

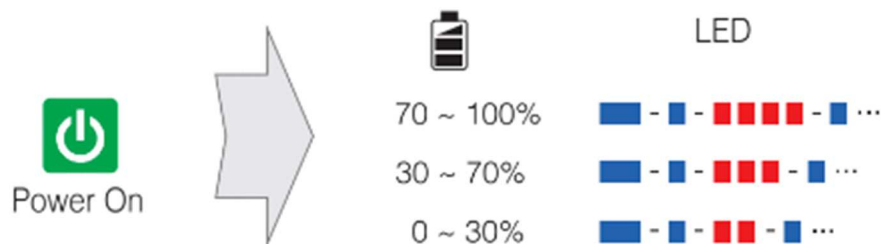
Power Off : Tap the (+) Button and Center Button.

Volume Adjustment

(+) Button - Increase the volume

(-) Button - Decrease the volume

Battery Check



Phone, Music Pairing

Initially Pairing the C1

The Bluetooth system will automatically enter the phone pairing mode when you initially turn on the Bluetooth system or in the following situation:

- Rebooting after executing Factory Reset

1. Press and hold the Center Button and (+) Button for 1 second.

2. Search for Bluetooth devices on your mobile phone. Select the **C1** in the list of the devices detected on the mobile phone.
3. Enter 0000 for the PIN. Some mobile phones may not ask for the PIN.

Music Operation

Play or pause music: Press the Center Button for 1 second.

Track back: Press the (-) Button for 1 second.

Track forward: Press the (+) Button for 1 second.

Mobile Phone Call Making and Answering

Answering a call: Tap the Center Button

Ending a call: Press the Center Button for 2 seconds.

Voice dial: Press the Center Button for 3 seconds.

Speed dial: Press the (+) Button for 3 seconds.

Rejecting a call: Press the (+) Button for 2 seconds.

Intercom

Intercom Pairing

1. Press and hold the Center Button of two headsets for 5 seconds until red LEDs of both units start to flash rapidly.
2. Simply tap the Center Button of any one of the two headsets.

Intercom Start/End : Tap the Center Button

LED Taillight

LED On and Solid -> Night Flash -> Day Flash -> LED Off : Press the (-) Button for 1 second.

Setting

Configuration Menu: Press the Center Button for 15 seconds.

Troubleshooting

Factory Reset

If you want to restore the headset to factory default settings, use the Factory Reset in the configuration menu. The headset automatically restores the default settings and turns off.

Certification and Safety Approvals

FCC Compliance Statement

This device complies with part 15 of the FCC rules.

Operation is subject to the following two conditions:

- (1) This device may not cause harmful interference, and
- (2) This device must accept any interference received, including interference that may cause undesired operation.

This equipment has been tested and found to comply with the limits for a Class B digital device pursuant to part 15 of the FCC rules. These limits are designed to provide reasonable protection against harmful interference in a residential installation. This equipment generates, uses and can radiate radio frequency energy and, if not installed and used in accordance with the instructions, may cause harmful interference to radio communications. However, there is no guarantee that interference will not occur in a particular installation. If this equipment does cause harmful interference to radio or television reception, which can be determined by turning the equipment on and off, the user is encouraged to try to correct the interference by one or more of the following measures:

- Reorient or relocate the receiving antennae
- Increase the separation between the equipment and the receiver
- Connect the equipment into an outlet on a circuit different from that to which the receiver is connected.
- Consult the dealer or an experienced radio/TV technician for help.

FCC RF Exposure Statement

This equipment complies with FCC radiation exposure limits set forth for an uncontrolled environment. End users must follow the specific operating instructions for satisfying RF exposure compliance.

The antenna used for this transmitter must not transmit simultaneously with any other antenna or transmitter, except in accordance with FCC multi-transmitter product procedures.

When equipped, the distance between antenna and one's head surface is 21.5 mm.

FCC Caution

Any changes or modifications to the equipment not expressly approved by the party responsible for compliance could void user's authority to operate the equipment.

CE Declaration of Conformity

This product is CE marked according to the provisions of the R&TTE Directive (1999/5/EC). Hereby, Sena declares that this product is in compliance with the essential requirements and other relevant provisions of Directive 1999/5/EC. For further information, please consult www.sena.com. Please note that this product uses radio frequency bands not harmonized within EU. Within the EU this product is intended to be used in Austria, Belgium, Denmark, Finland, France, Germany, Greece, Ireland, Italy, Luxembourg, The Netherlands, Portugal, Spain, Sweden, United Kingdom and within EFTA in Iceland, Norway and Switzerland.

Industry Canada(IC) Statement

This device complies with Industry Canada license-exempt RSS standard(s). Operation is subject to the following two conditions:

- (1) this device may not cause interference, and
- (2) this device must accept any interference, including interference that may cause undesired operation of the device.

Le present appareil est conforme aux CNR d'Industrie Canada applicables aux appareils radio exempts de licence. L'exploitation est autorisee aux deux conditions suivantes :

- (1) l'appareil ne doit pas produire de brouillage, et
- (2) l'utilisateur de l'appareil doit accepter tout brouillage radioelectrique subi, meme si le brouillage est susceptible d'en compromettre le fonctionnement.

IC RF Exposure Statement

Cet équipement est conforme aux limites d'exposition aux radiations de la FCC/IC définies pour un environnement non contrôlé. Les utilisateurs finaux doivent suivre les instructions d'utilisation spécifiques pour satisfaire à la conformité d'exposition RF.

Lorsque équipé, la distance entre l'antenne et la surface de la tête est de 21.5 mm.

This device can be operated in at least one Member State without infringing applicable requirements on the use of radio spectrum."

- RF Range: 2402 ~ 2 480 MHz (Bluetooth/LE)
- Max Power : BT: Max. 16.51 dBm(eirp), LE: Max. 4.92 dBm(eirp)
BT: Max. 16.69 dBm, LE: Max. 3.62 dBm

Trade name: SENA