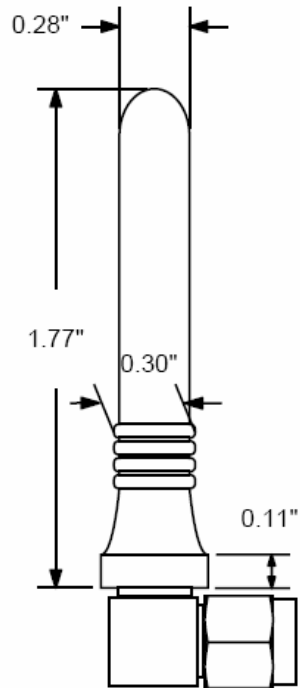


Antenna Type  
Gain (dBi)  
Model Number  
Connector type  
Drawing

Monopole, 1/4 wave  
1.8  
RCS  
Reverse SMA



Monopole, 1/2 Wave  
2.4  
RCL  
Reverse SMA

