

TRAFFIC RADAR SR7

Quick Start Guide

Read this first

Read through this Installation Guide carefully before installing the product. Keep the Installation Guide for future reference.

Liability

Every care has been taken in the preparation of this document. Please inform Sierzega of any inaccuracies or omissions. Sierzega Elektronik GmbH cannot be held responsible for any technical or typographical errors and reserves the right to make changes to the product and manuals without prior notice. Sierzega Elektronik GmbH makes no warranty of any kind with regard to the material contained within this document, including, but not limited to, the implied warranties of merchantability and fitness for a particular purpose. Sierzega Elektronik GmbH shall not be liable nor responsible for incidental or consequential damages in connection with the furnishing, performance or use of this material. This product is only to be used for its intended purpose.

Equipment modifications

This equipment must be installed and used in strict accordance with the instructions given in the user documentation. This equipment contains no user-serviceable components. Unauthorized equipment changes or modifications will invalidate all applicable regulatory certifications and approvals.

Regulatory information

Europe



This product complies with the applicable CE marking directives and harmonized standards.

A copy of the declaration of conformity may be obtained from Sierzega Elektronik GmbH.

USA / Canada

This device contains FCC-ID S6P-SR7 / IC 5792A-SR7 which includes FCC-ID QOQ-GM220P / IC 5123A-GM220P and FCC-ID XMR201910BG95M3 / IC 10224A-2019BG95M3

FCC Radiation Exposure Statement:

This equipment complies with FCC radiation exposure limits set forth for an uncontrolled environment. This equipment should be installed and operated with minimum distance of 20 cm between the radiator and your body.

Statement Regarding FCC / IC Compliance
(CAN ICES-3 (B)/NMB-3(B))

This device complies with Part 15 of the FCC Rules / Innovation, Science and Economic Development

Canada's licence-exempt RSS(s). Operation is subject to the following two conditions:

(1) This device may not cause harmful interference, and (2) This device must accept any interference received, including interference that may cause undesired operation.

L'émetteur/récepteur exempt de licence contenu dans le présent appareil est conforme aux CNR d'Innovation, Sciences et Développement économique Canada applicables aux appareils radio exempts de licence. L'exploitation est autorisée aux deux conditions suivantes:

(1) L'appareil ne doit pas produire de brouillage; (2) L'appareil doit accepter tout brouillage radioélectrique subi, même si le brouillage est susceptible d'en compromettre le fonctionnement.

Disposal and recycling

When this product has reached the end of its useful life, dispose of it according to local laws and regulations. For information about your nearest designated collection point, contact your local authority responsible for waste disposal. In accordance with local legislation, penalties may be applicable for incorrect disposal of this waste.

Europe



This symbol means that the product shall not be disposed of together with household or commercial waste. Directive 2012/19/EU on waste electrical and electronic equipment (WEEE) is applicable in the European Union member states. To prevent potential harm to human health and the environment, the product must be disposed of in an approved and environmentally safe recycling process. For information about your nearest designated collection point, contact your local authority responsible for waste disposal. Businesses should contact the product supplier for information about how to dispose of this product correctly.

This product complies with the requirements of Directive 2011/65/EU and 2015/863 on the restriction of the use of certain hazardous substances in electrical and electronic equipment (RoHS).

Contact Information

Sierzega Elektronik GmbH
Valentinstraße 11
4062 Thening
Austria

Tel: +43 (7221) 64114-0
Web: www.sierzega.com

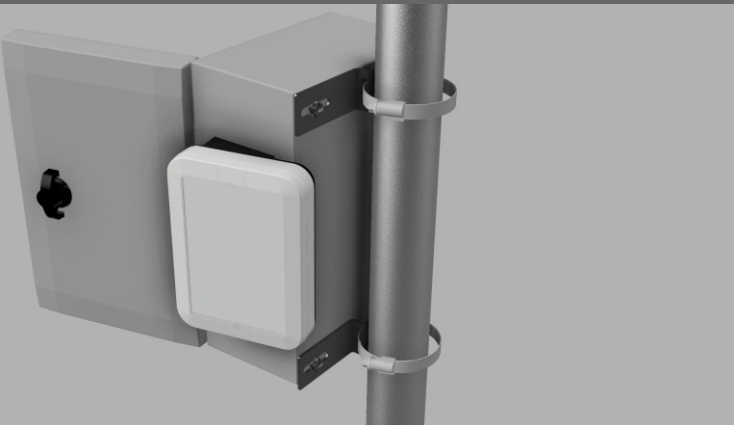
Version 08/2024

TRAFFIC RADAR SR7

Quick Start Guide



MOUNTING



The SR7 is mounted on the roadside at a distance of 1 to 4 metres from the edge of the road.

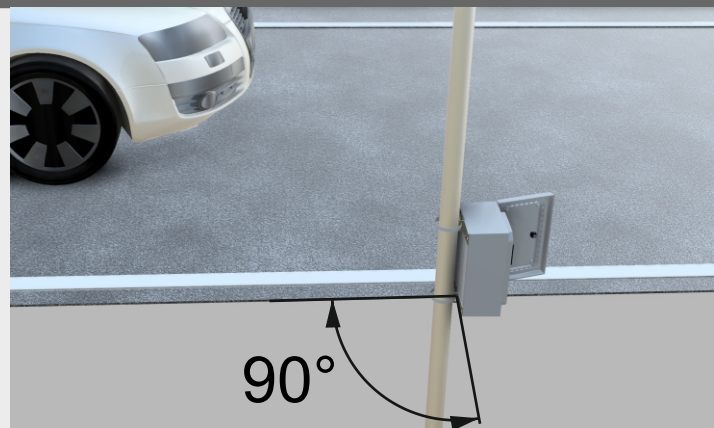
The mounting height of the upper edge of the box must be 0.8 to 1.2 metres for reliable vehicle axle detection.

The device is attached to masts/pipes using the enclosed clamps (see separate instructions).

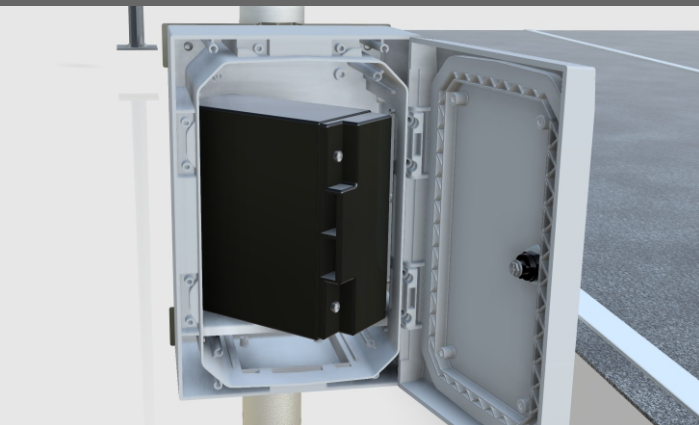
ALIGNMENT

The rear of the SR7 must be mounted at a 90° angle to the road.

Automatic calibration - The MIMO radar of the SR7 also looks to the side using several antennas and simultaneously detects the vehicles at different angles. This enables the SR7 to automatically determine the actual exact mounting angle and consider the results for further measurements and calculations.



POWER SUPPLY



Place the battery in the housing as shown. Contacts to the front right. Push the battery to the rear left and then slide it into the housing on the right side.

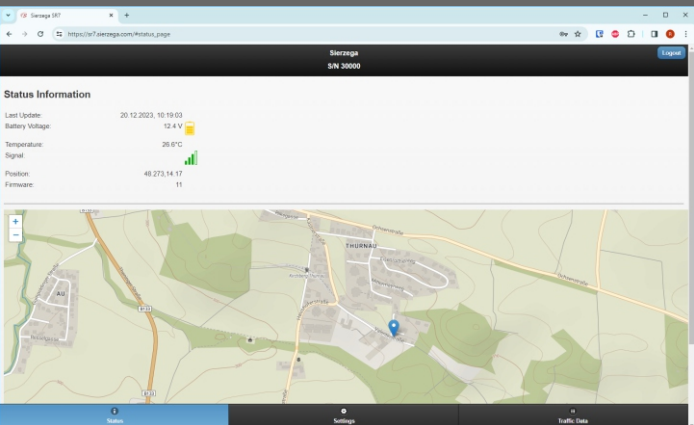
Then connect the battery cable and ensure that the cable is not near the lock.

Close and lock the door. All screws on the outside of the housing are theft-resistant and cannot be opened from the outside.

SR7

www.sierzega.com

CHECK STATUS



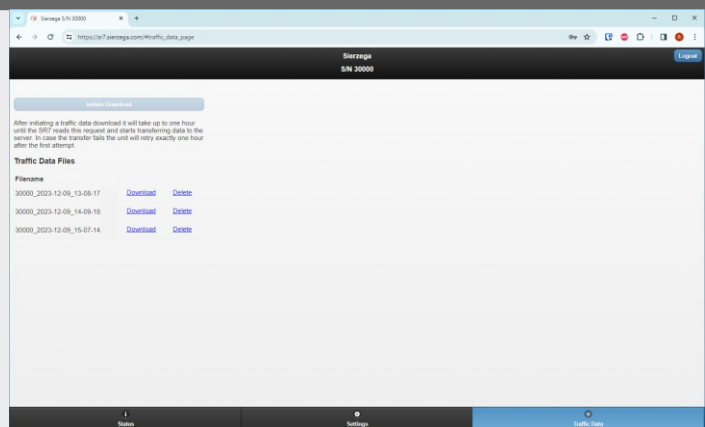
The SR7 is equipped with an LTE modem and GPS. Data on the current battery status, current position, reception and temperature in the device is transmitted to our servers every hour.

The status can be monitored at any time at sr7.sierzega.com using the device's serial number and PIN.

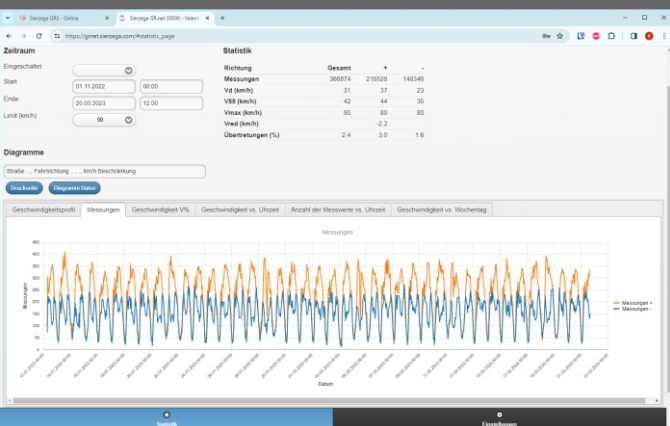
DOWNLOAD DATA

It is also possible to download data at sr7.sierzega.com. To do this, select the "Traffic Data" tab at the bottom right and initiate the start of a data download.

SR7 checks requests every hour and then carries out the upload to the server if required. Files remain stored on the server until they are manually deleted from there. The data is automatically deleted in the device after it is uploaded to the server.



CREATE REPORTS



The latest SRA evaluation software is available for use at www.sierzega.com.

The offline version SRA 5.4 can be found under "Software - Downloads", and an online version of the SRA software will also be available shortly, which will significantly simplify evaluation and add new features enabled by the SR7.