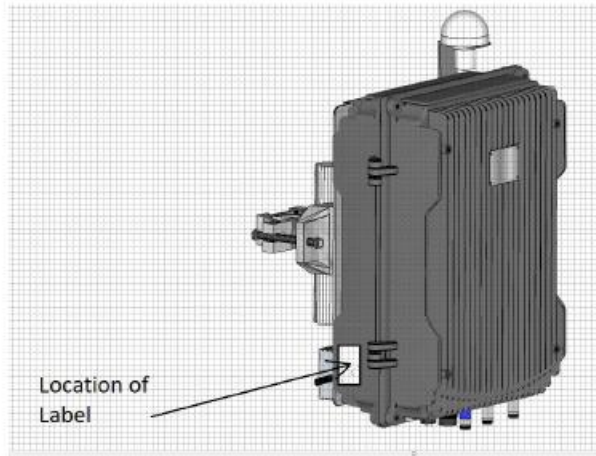


Star Solutions International

4600 Jacombs Road
Richmond, BC
Canada V6V 3B1
Phone (604) 276-0055
Fax (604) 276-0501

Document Title: FCC Label COMPAC-N, eNodeB, LTE BC5 FDD, -48V, 2x20W DC

Location: of the COMPAC-N FCC Label





STARSOLUTIONS

LTE BC25 NIB

Model: NL-2510 **Rated Voltage:** 48V DC
Rated Current: 6.0A

PN:



24246966GS



1239R23081500001 A0

This device complies with Part 15 of the FCC rules.
Operation is subject to the following two conditions:
(1) This device may not cause harmful interference, and
(2) This device must accept any interference received,
including interference that may cause undesired operation.

This Class A digital apparatus meets all
requirements of the Canadian Interference -
Causing Equipment Regulations.

Cet appareil numérique de la classe A respecte toutes
les exigences du Règlement sur le matériel brouilleur
du Canada.

IC: 8076A-71225001

FCC: S52-7-12--25-00-1

Made in Canada