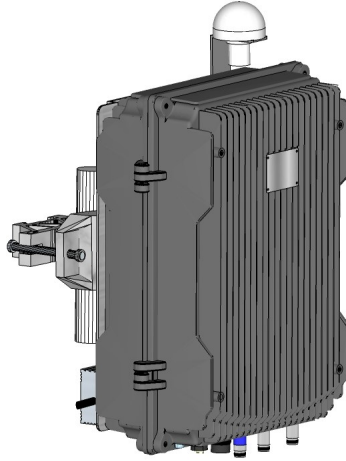

Star Solutions International

4600 Jacombs Road
Richmond, BC
Canada V6V 3B1
Phone (604) 276-0055
Fax (604) 276-0501

Document Title: FCC Label COMPAC-N, eNodeB, LTE BC5 FDD, -48V, 2x20W DC



©2022 Star Solutions International. All rights reserved. Printed in Canada.

This document contains proprietary information of Star Solutions and its affiliates and subsidiaries. No part of this document, or any software included with it, may be reproduced, stored in a retrieval system, or transmitted in any form or by any means, including photocopying, electronic, mechanical, recording or otherwise, without the prior written permission of the copyright holder. Product names mentioned in this document are trademarks or registered trademarks of their respective companies and are hereby acknowledged.

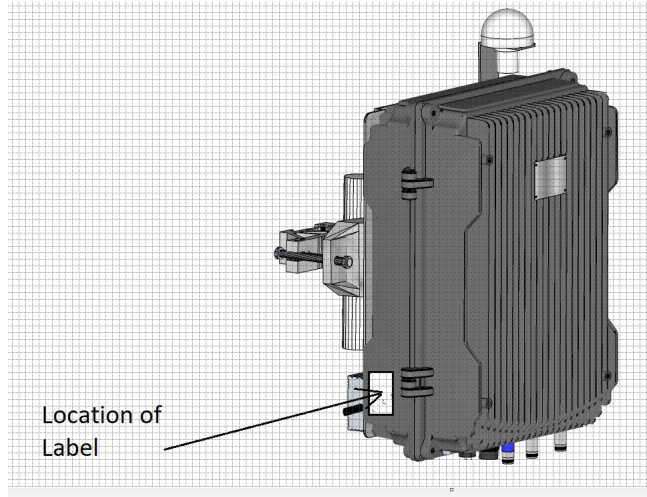
This document may contain technical inaccuracies or typographical errors. Star Solutions waives responsibility for any labor, materials, or costs incurred by any person or party as a result of using this document. Star Solutions International or other affiliates shall not be liable for any damages (including, but not limited to, consequential, indirect or incidental, special damages or loss of profits or data) even if they were foreseeable and Star Solutions Canada has been informed of their potential occurrence, arising out of or in connection with this document or its use.

Star Solutions International

4600 Jacombs Road
Richmond, BC
Canada V6V 3B1
Phone (604) 276-0055
Fax (604) 276-0501

Document Title: FCC Label COMPAC-N, eNodeB, LTE BC5 FDD, -48V, 2x20W DC

Location: of the COMPAC-N FCC Label



© Copyright , Star Solutions International Incorporated. All rights reserved.

Printed in Canada.
Refer to this document's Initial Page for Copyright Infringements.

Star Solutions International

4600 Jacombs Road
Richmond, BC
Canada V6V 3B1
Phone (604) 276-0055
Fax (604) 276-0501

Document Title: FCC Label COMPAC-N, eNodeB, LTE BC5 FDD, -48V, 2x20W DC

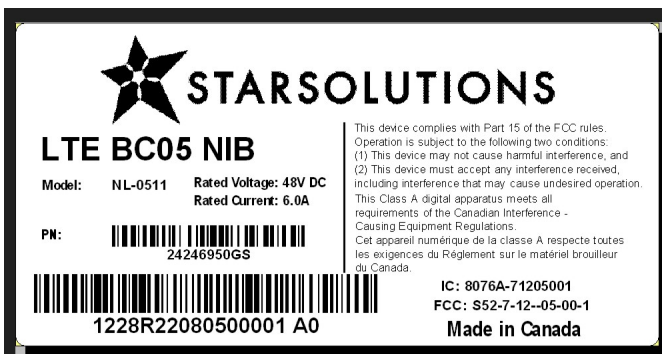
LTE COMPAC-N FCC/IC Label and Associated Information

FCC: S52-7-12-05-00-1
IC: 8076A-71205001
Band Class: 5
Technology: LTE

Part Number: **24246949GS**
Product Description: **COMPAC-N, eNodeB, LTE BC5 FDD, -48V, 2x20W DC, no CPU**
Model Number: NL-0510.0



Part Number: **24246950GS**
Product Description: **COMPAC-N, eNodeB, LTE BC5 FDD, -48V, 2x20W DC, with CPU**
Model Number: NL-0511.0



© Copyright , Star Solutions International Incorporated. All rights reserved.

Printed in Canada.

Refer to this document's Initial Page for Copyright Infringements.