

REVISION RECORD			
LTR	ECO NO:	APPROVED:	DATE:

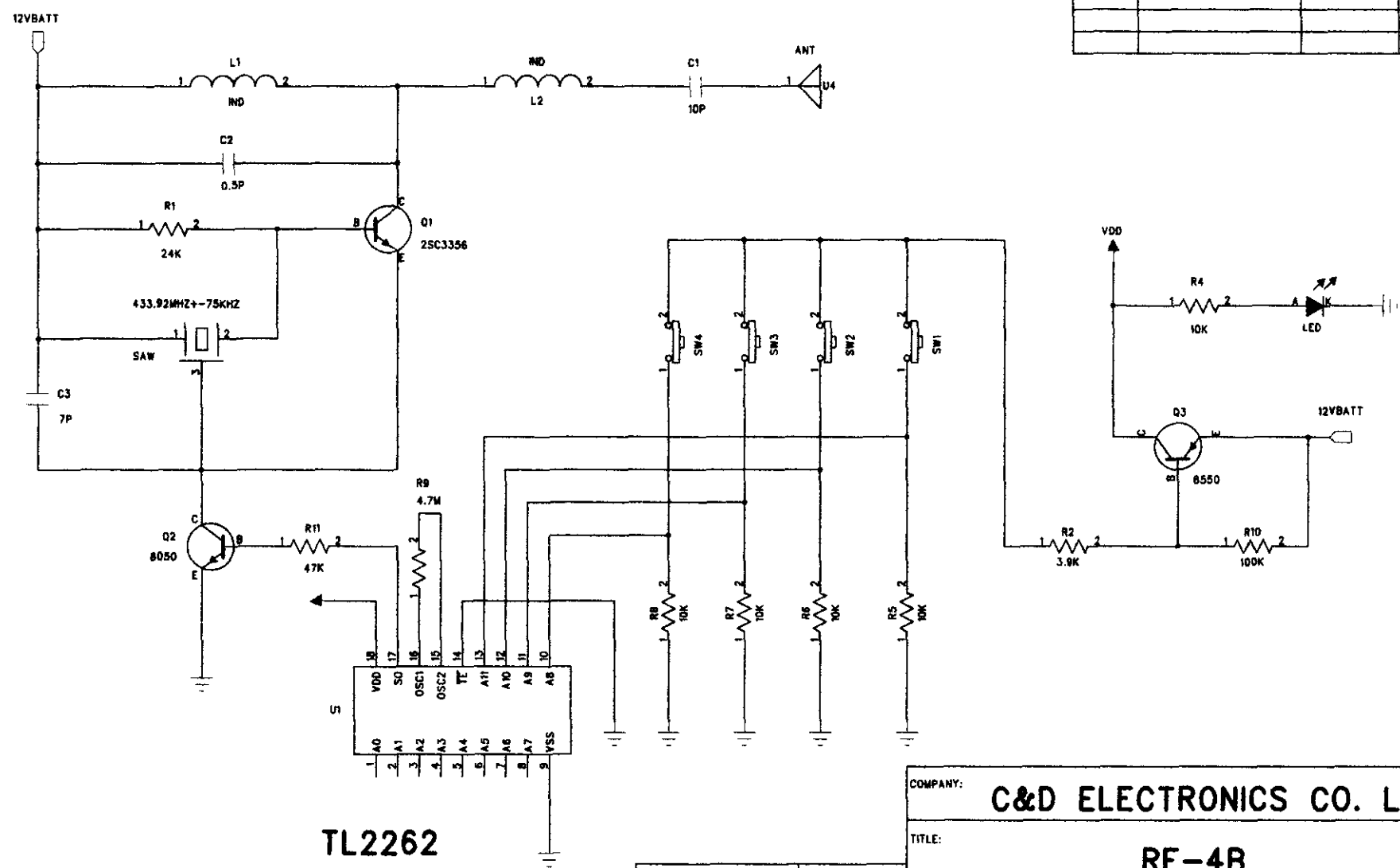
COMPANY: C&D ELECTRONICS CO. LTD			
TITLE: RF-4B			
BLOCK DIAGRAM			
CODE:	SIZE:	DRAWING NO:	REV:
SCALE:		SHEET: OF	

DRAWN: DZW	DATED: 2005/3/3
CHECKED: <i>胡瑞军</i>	DATED:
QUALITY CONTROL:	DATED:
RELEASED:	DATED:

6 5 4 3 2 1

D
C
B
A

REVISION RECORD			
LTR	ECO NO:	APPROVED:	DATE:



TL2262

COMPANY: C&D ELECTRONICS CO. LTD			
TITLE: RF-4B			
DRAWN: DZW	DATED: 2005/3/3	CODE:	SIZE:
CHECKED: <i>胡静</i>	DATED:	DRAWING NO:	REV:
QUALITY CONTROL:	DATED:	SCALE:	SHEET: OF
RELEASED:	DATED:		