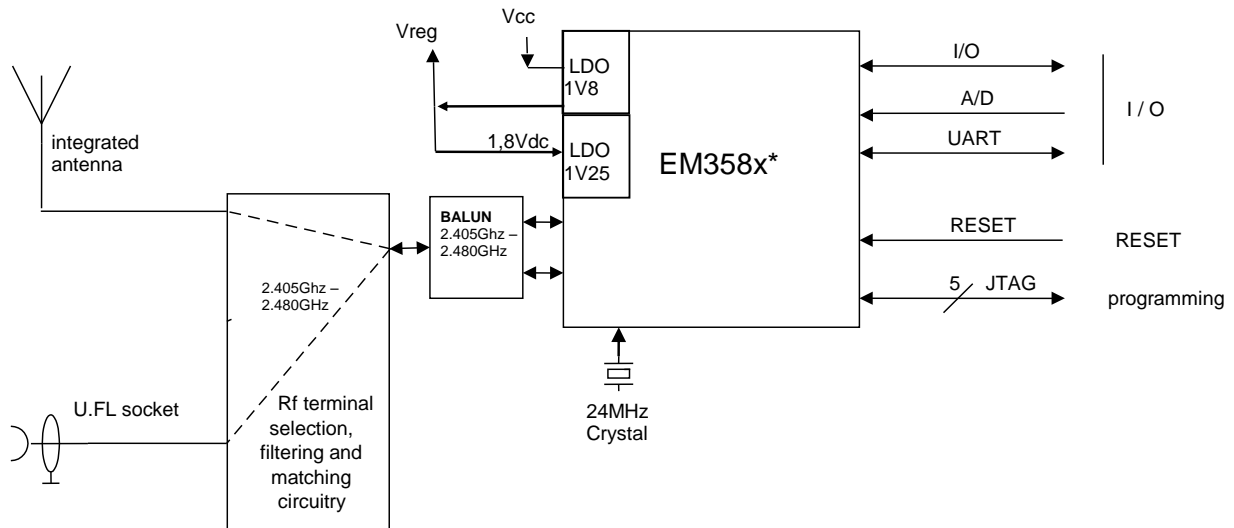


ETRX358x Block Diagram



*Frequencies internal to the EM358x

4.8GHz VCO and loop filter

12MHz High-frequency RC oscillator (system clock)

6MHz Peripheral clock (always half the rate of System Clock)

4MHz IF (intermediate frequency) mixer used by radio receiver

10kHz Low-frequency internal RC oscillator

1kHz Internal RC oscillator (used for system/sleep timer)