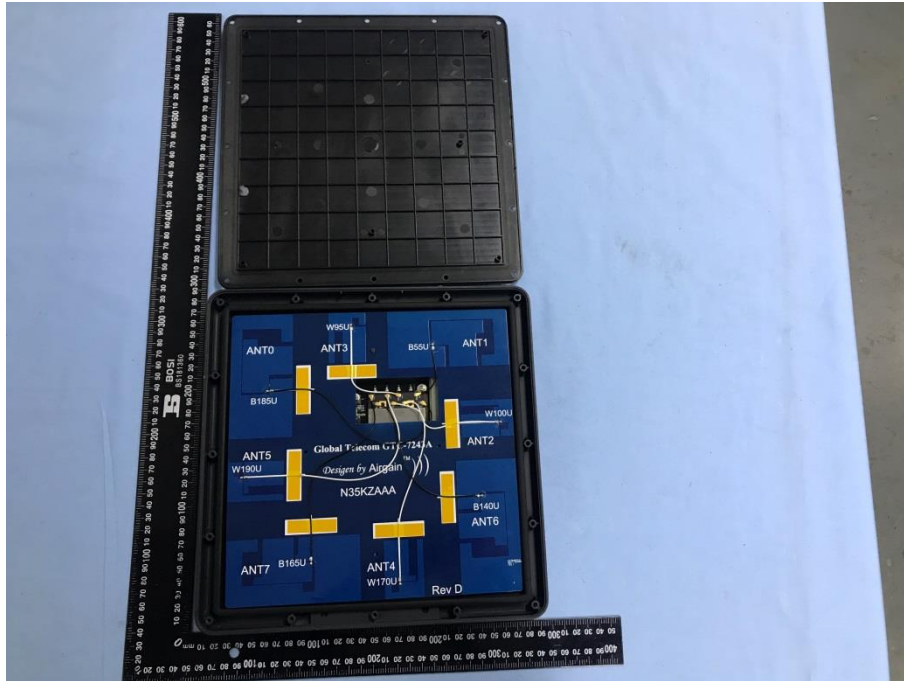


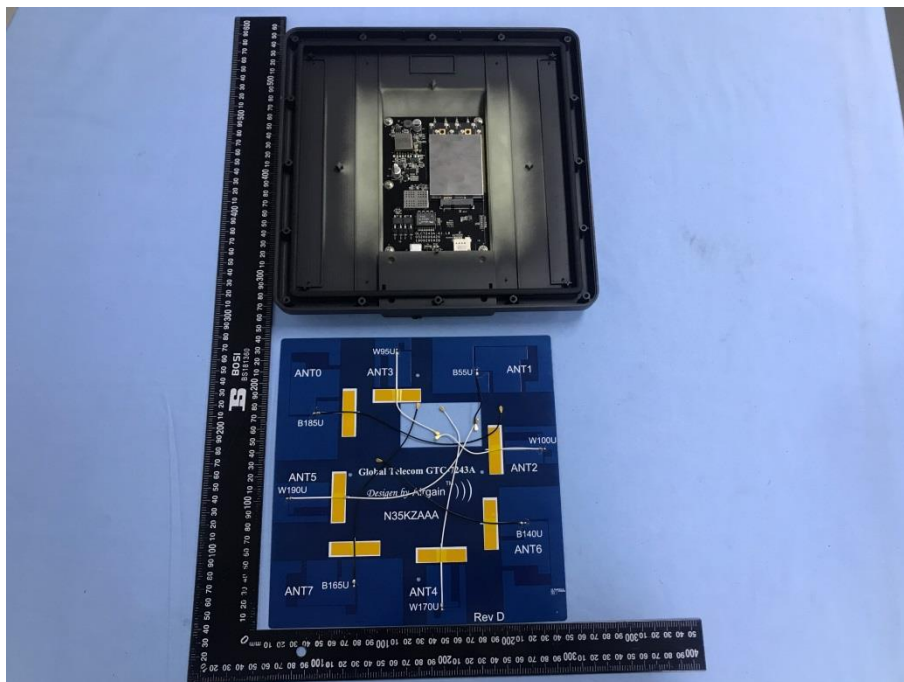


## EXHIBIT 3 - EUT INTERNAL PHOTOGRAPHS

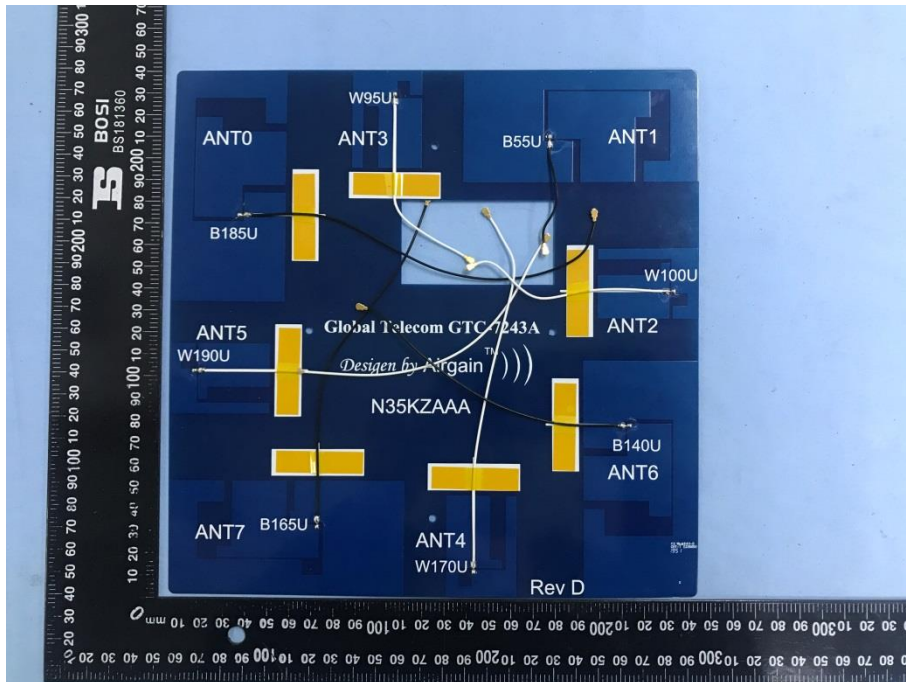
### EUT Housing and Board View 1



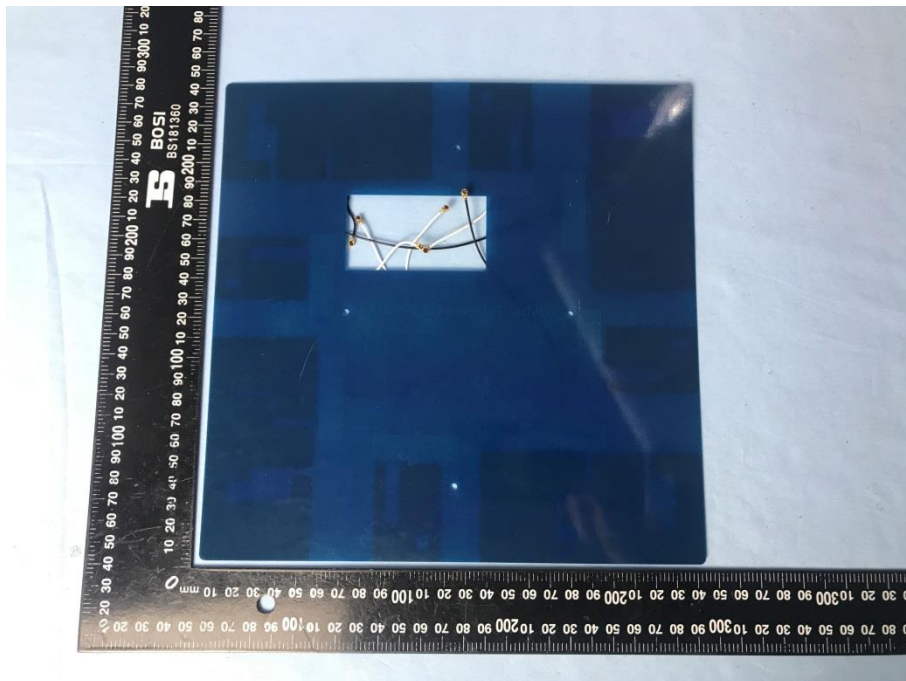
### EUT Housing and Board View 2



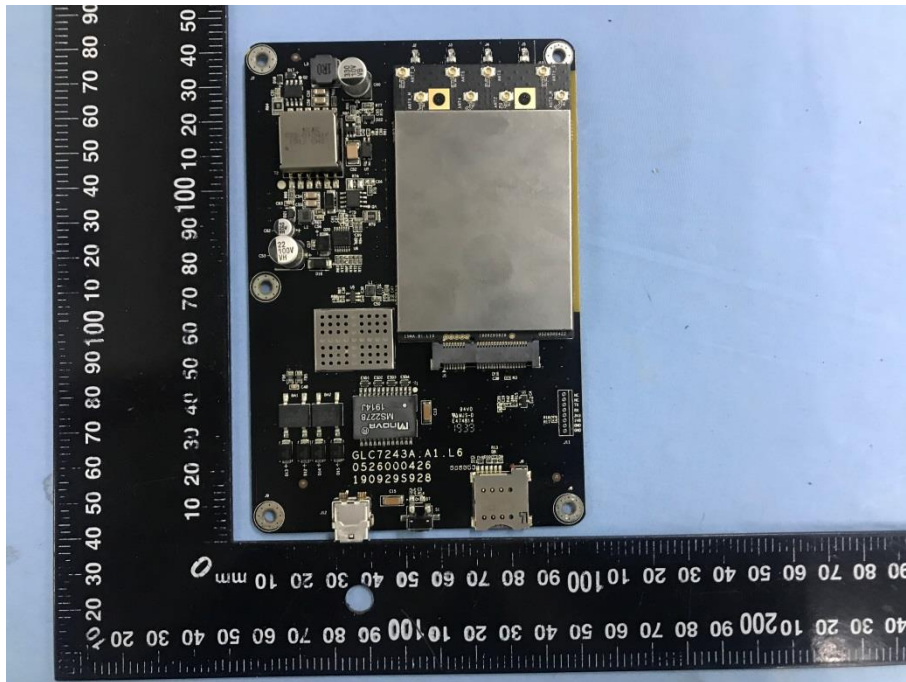
### Solder Board-Component View 1



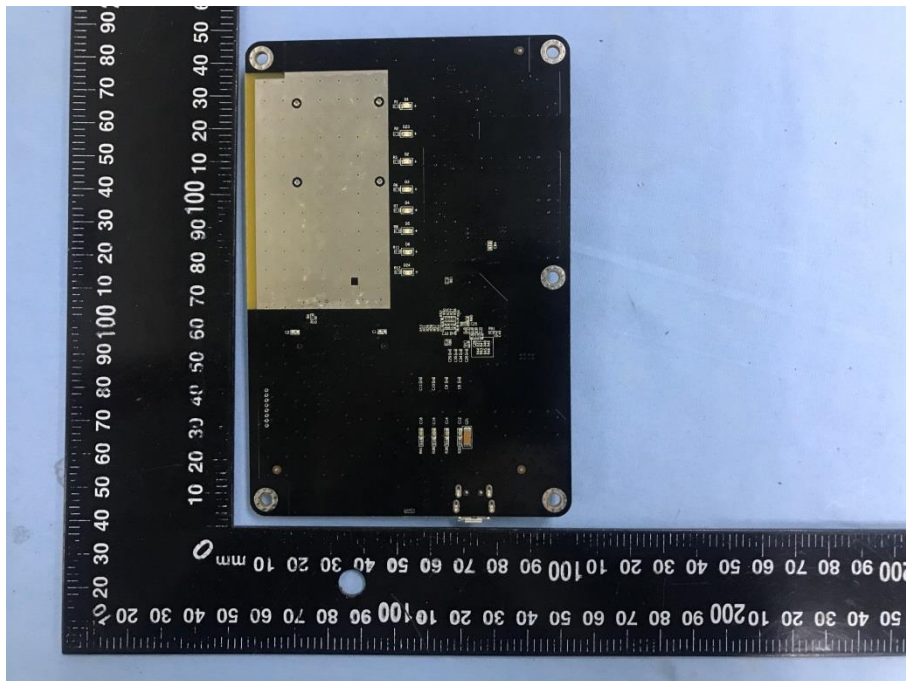
### Solder Board-Component View 2



**Solder Board-Component View 3**

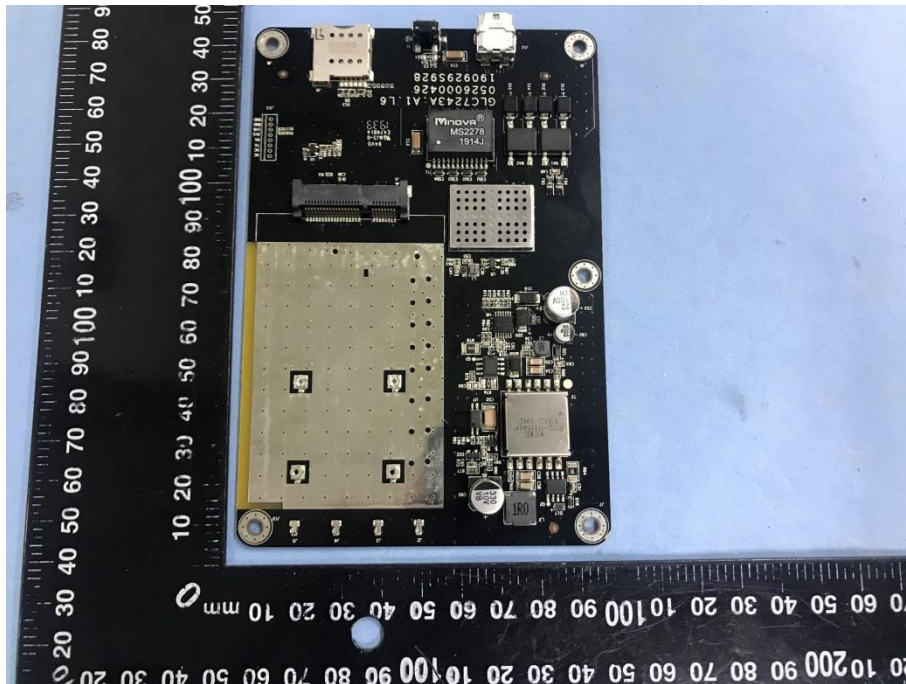


**Solder Board-Component View 4**

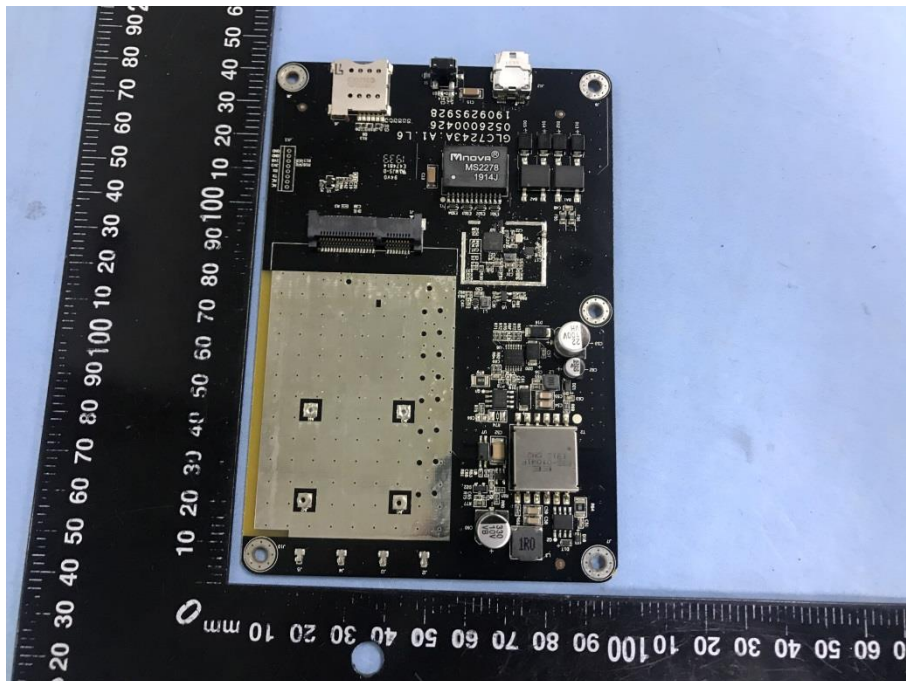




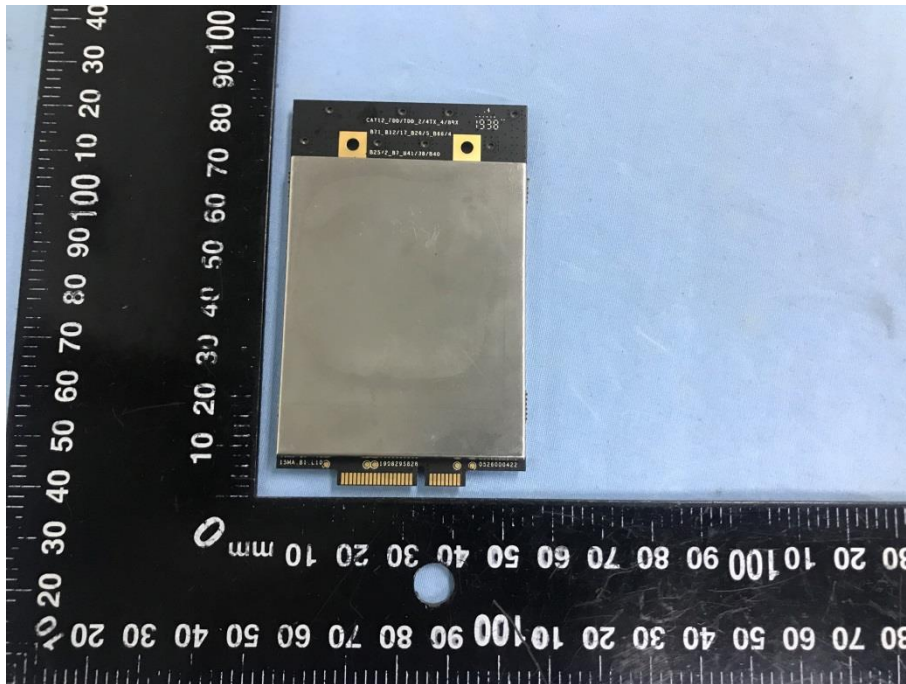
**Solder Board-Component View 5**



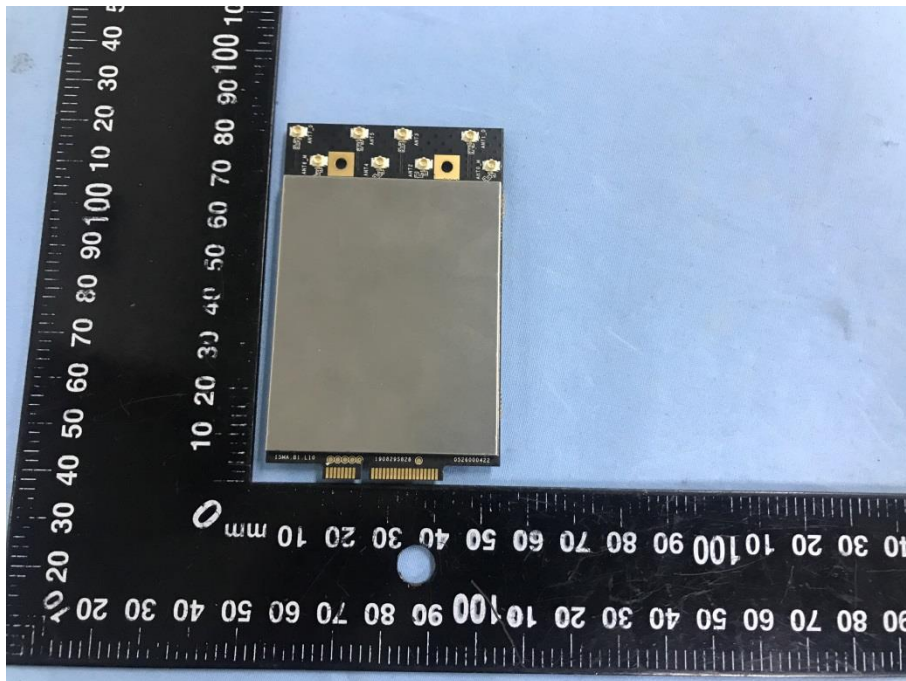
**Solder Board-Component View 6**



**Solder Board-Component View 7**

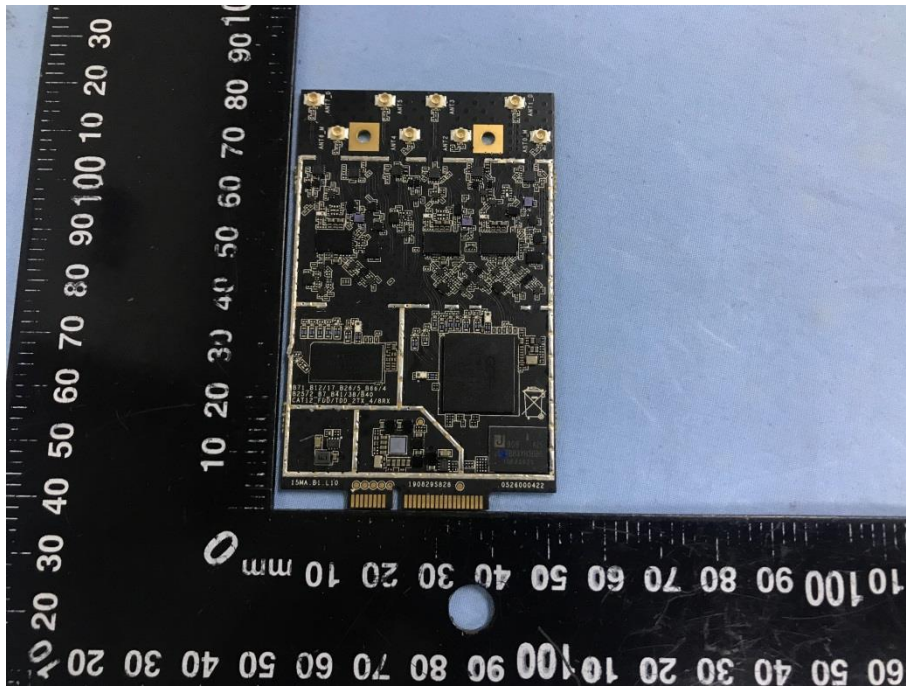


**Solder Board-Component View 8**

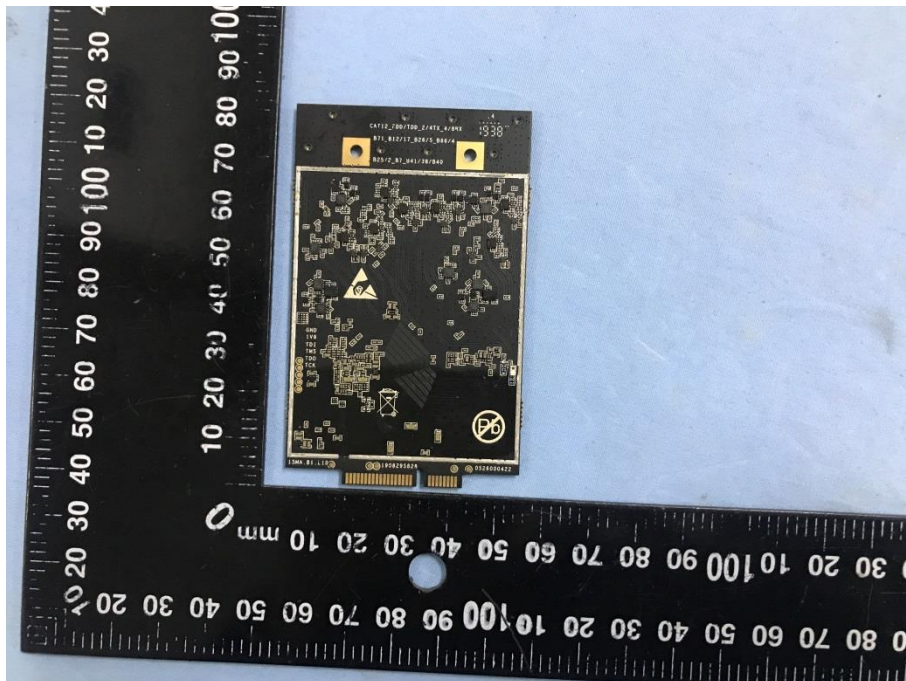




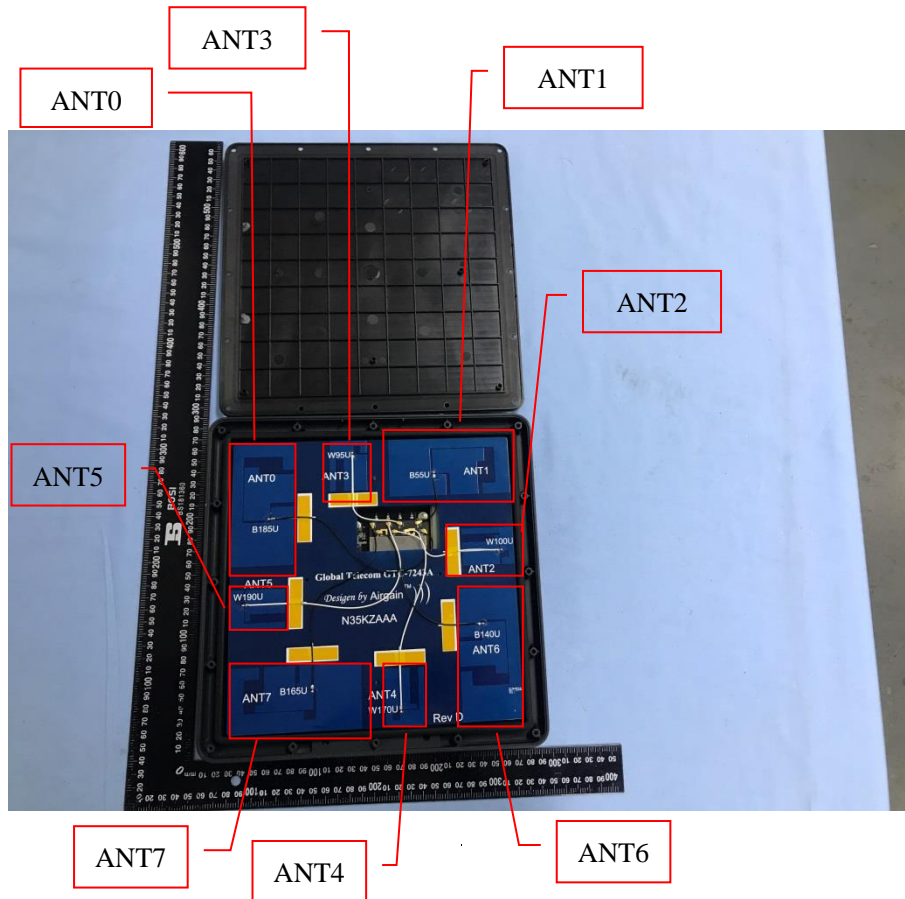
**Solder Board-Component View 9**



**Solder Board-Component View 10**



**Antenna View**



- ANT0: LTE Band 25/26/41 TX and RX**
- ANT1: LTE Band 25/26/41 RX**
- ANT2/3/4/5/6: LTE Band 25/41 RX**
- ANT7: LTE Band 25/26/41 RX**