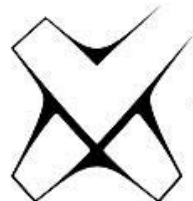


INVIXIUM
ACCESS



IXM MYCRO FP3



Made in CANADA

Model: IXM052

P/N: XAF-001-01A

S.N.:



12-24V  0.5A

C320052001

FCC ID: S38-MPROX

IC: 10891A-MPROX

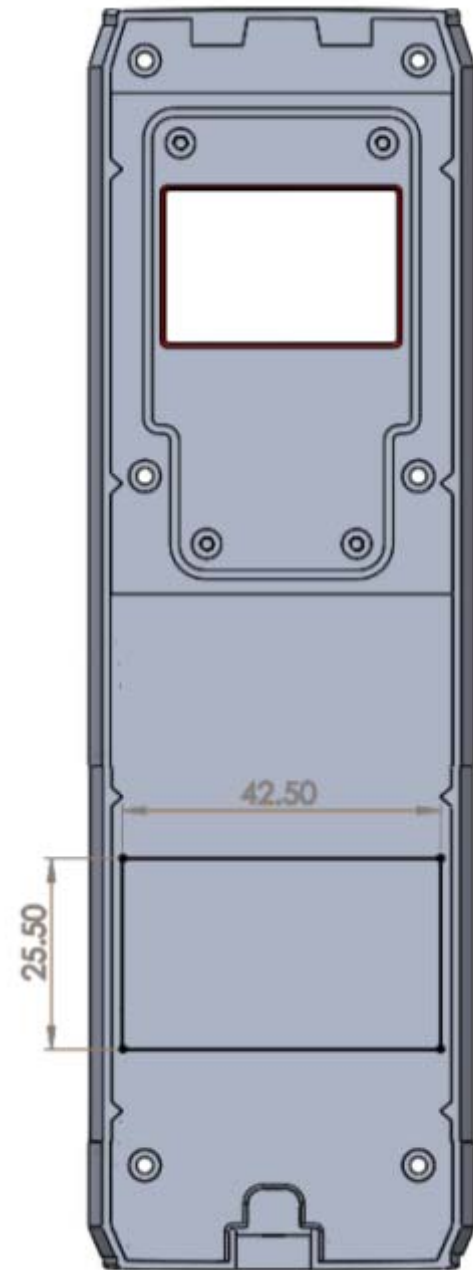
MAC:



001F150204AD



Slot Dimensions for label =
25.50 mm (L) x 42.50 mm (W) x 0.2 mm (D)



IXM MYCRO