

IXM MYCRO, FP2

Made in Canada, INVIXIUM

Eurostile Condensed
4 pt



P/N : XAT05200101A

12-24V = 0.5A



IC : 10891A-MENXP

FCC : S38-MENXP

M/N: IXM051

S/N

TA328052301

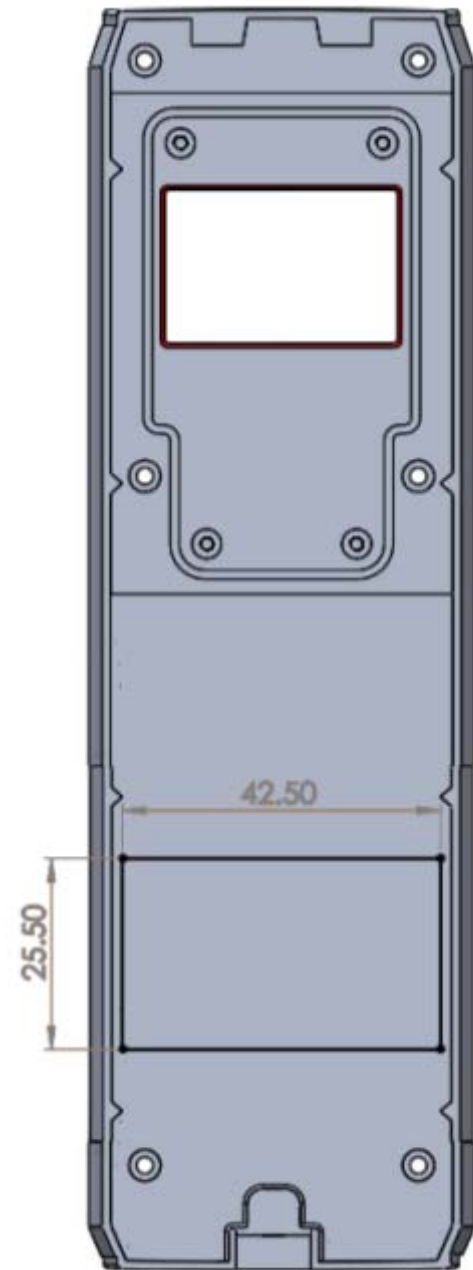


MAC



C4EDBA82EE54

Slot Dimensions for label =
25.50 mm (L) x 42.50 mm (W) x 0.2 mm (D)



IXM MYCRO