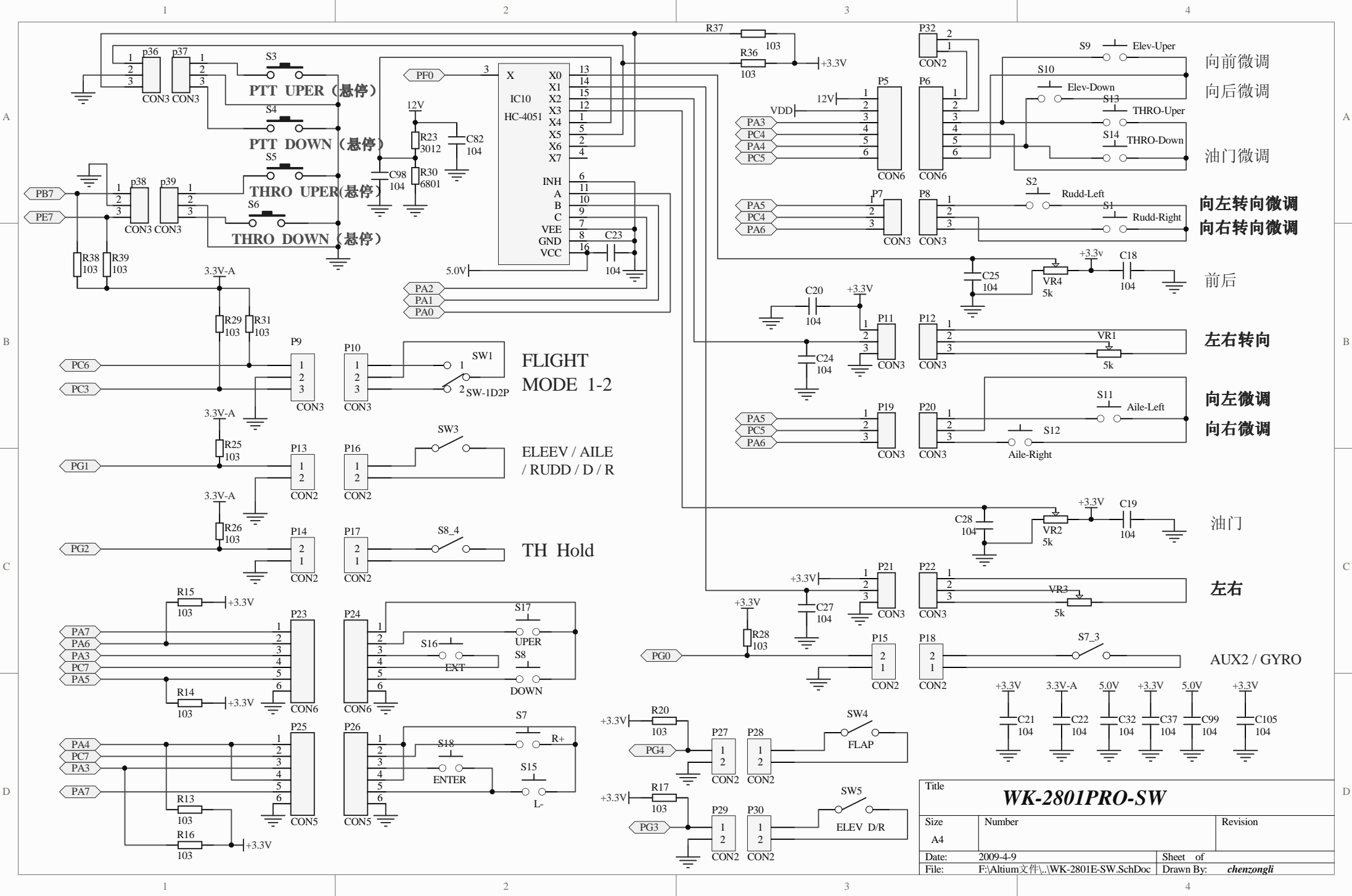


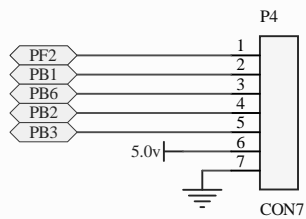
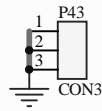
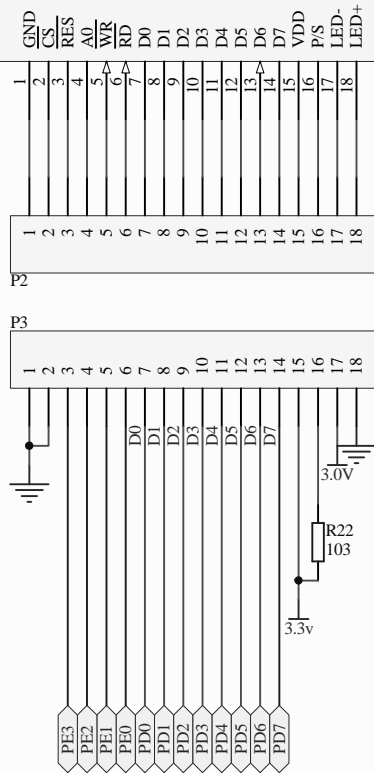
Title		
WK-2801PRO-POWER		
Size	Number	Revision
A4		
Date:	2009-4-9	Sheet of
File:	F:\Altium文件\WK-2801E-POWER.SchDoc	Drawn By:



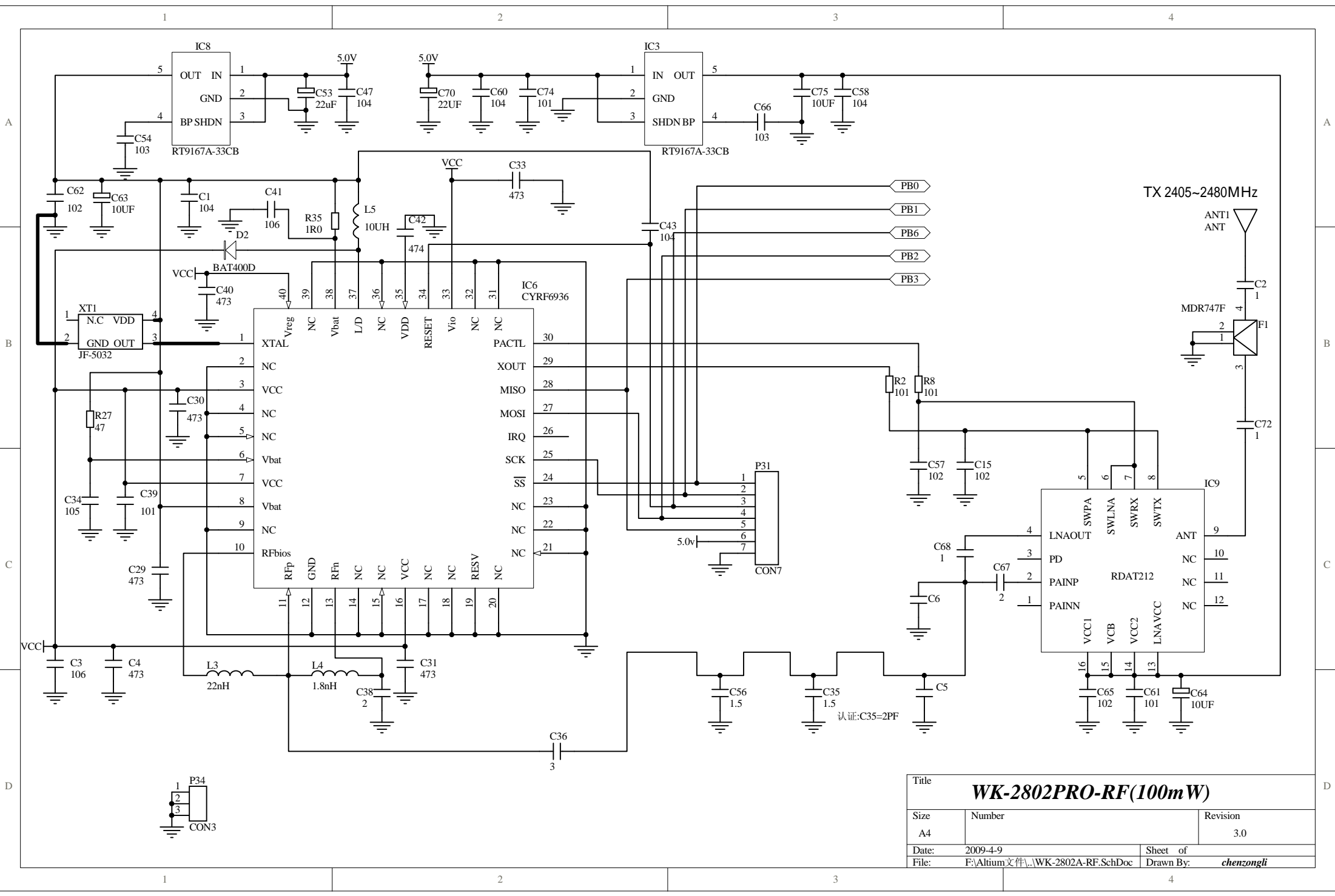
Title		
WK-2801PRO-SW		
Size	Number	Revision
A4		
Date:	2009-4-9	Sheet of
File:	F:\Altium文件\WK-2801E-SW.SchDoc	Drawn By: chenzongli

LCD1
LcdDisp

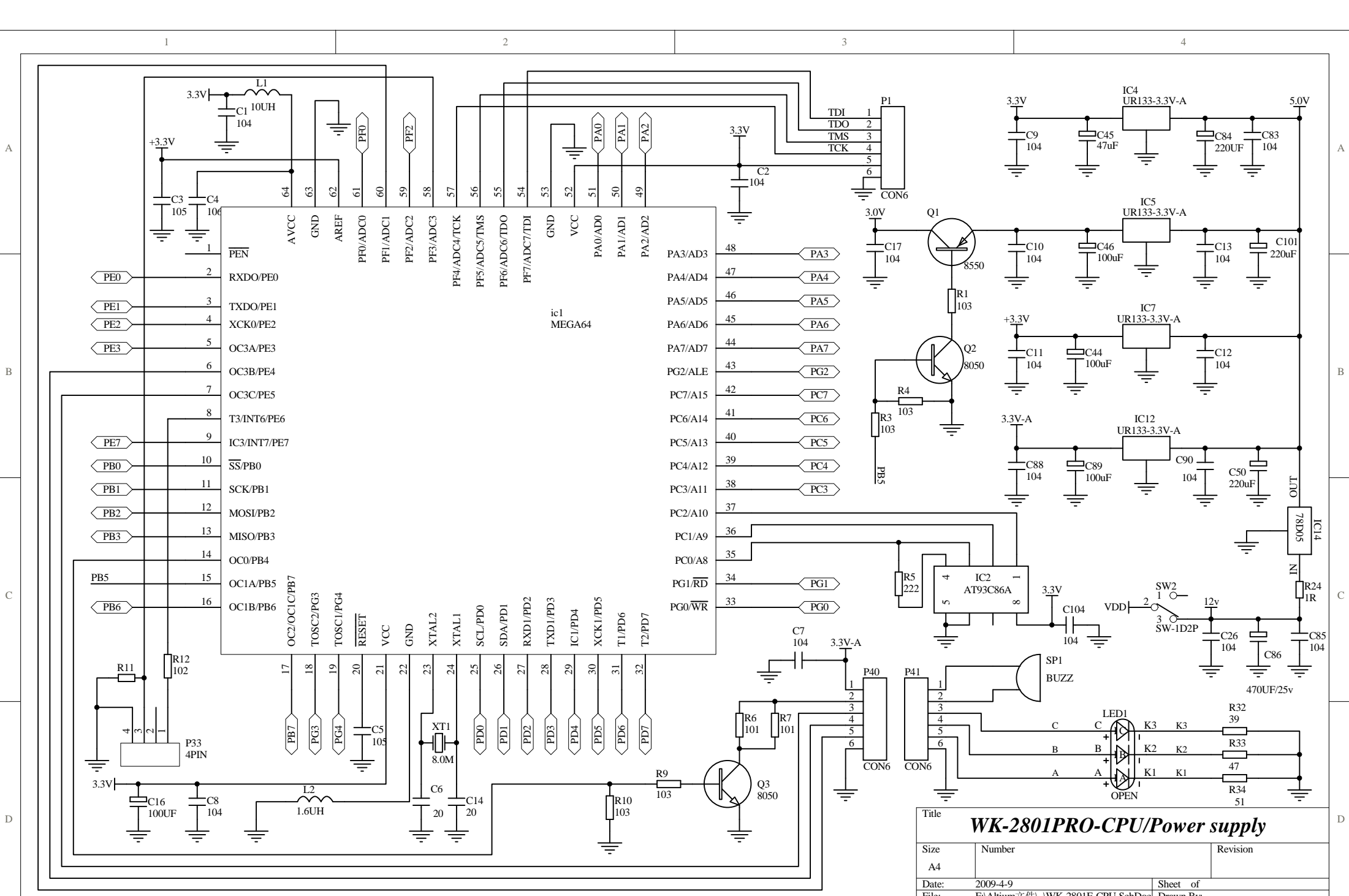
LCD显示屏



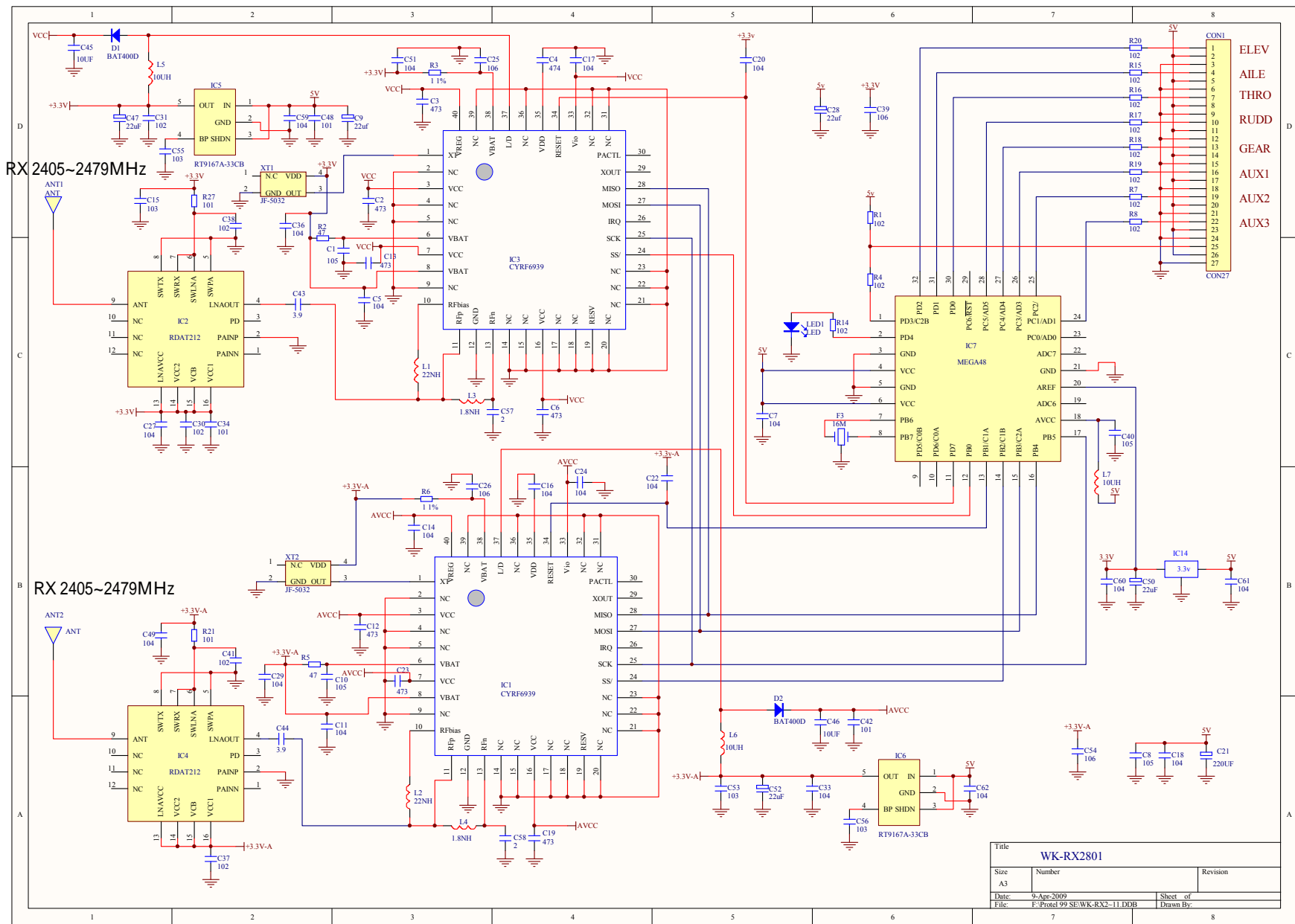
Title		
WK-2801PRO-LCD		
Size	Number	Revision
A4		
Date:	2009-4-9	Sheet of
File:	F:\Altium文件\WK-2801E-LCD.SchDoc	Drawn By:



Title		
WK-2802PRO-RF(100mW)		
Size	Number	Revision
A4		3.0
Date:	2009-4-9	Sheet of
File:	F:\Altium文件\WK-2802A-RF.SchDoc	Drawn By: chenzongli



Title		
WK-2801PRO-CPU/Power supply		
Size	Number	Revision
A4		
Date:	2009-4-9	Sheet of
File:	F:\Altium文件\WK-2801E-CPU.SchDoc	Drawn By:



Title		
WK-RX2801		
Size	Number	Revision
A3		
Date:	9-Apr-2009	Sheet of
File:	F:\Protel 99 SE\WK-RX2-11.DDB	Drawn By: