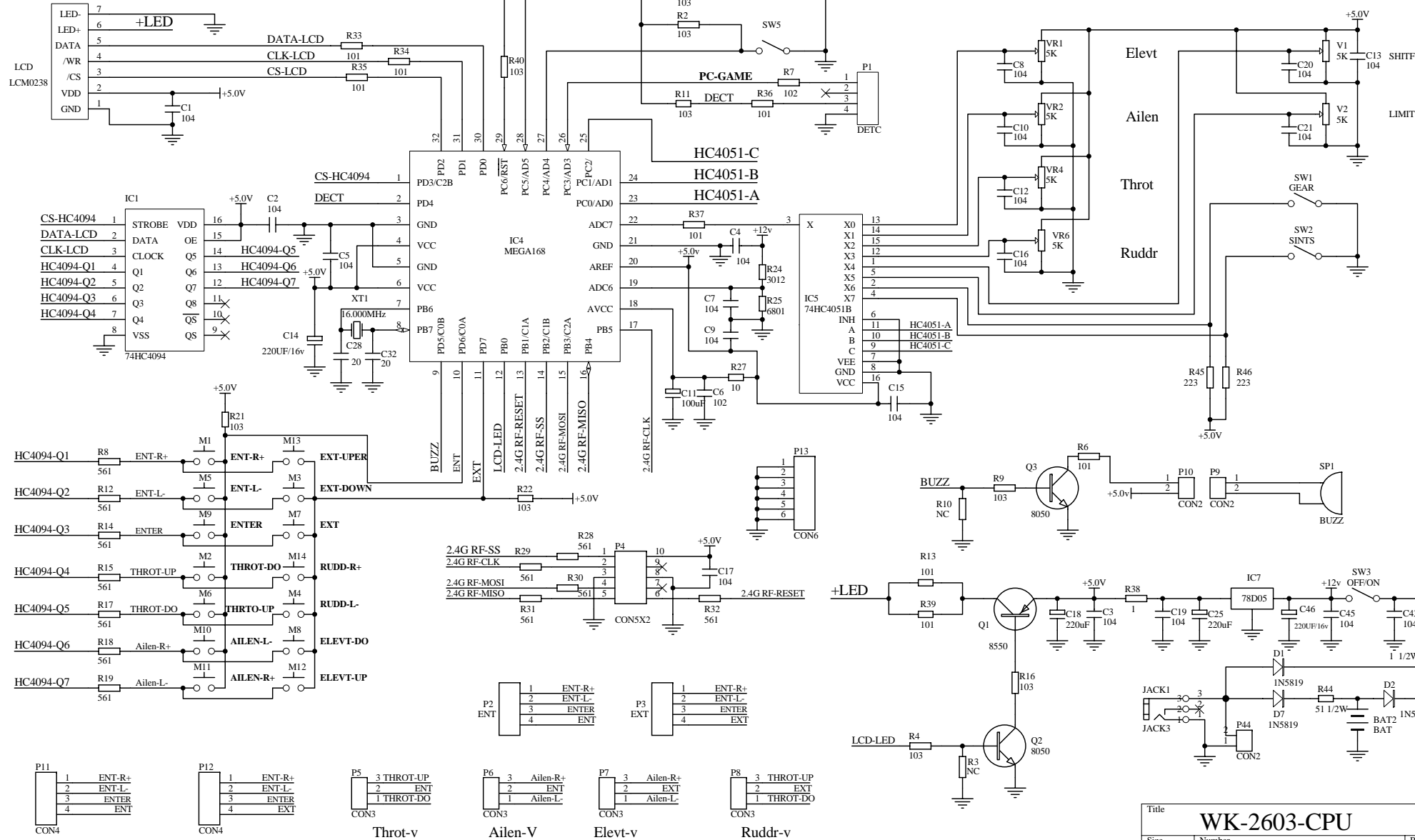


Title			<b>WK-2603-RF</b>		
Size	Number			Revision	1.0
A4					
Date:	2010-3-24	Sheet of			
File:	F:\Altium文件\WK-2808A-RF.SchDoc	Drawn By:		<b>chenzongli</b>	



Title		
<b>WK-2603-CPU</b>		
Size	Number	Revision
B		
Date:	2010-3-24	Sheet of
File:	F:\Altium文件\WK-2602A-CPU.SchDoc	Drawn By: