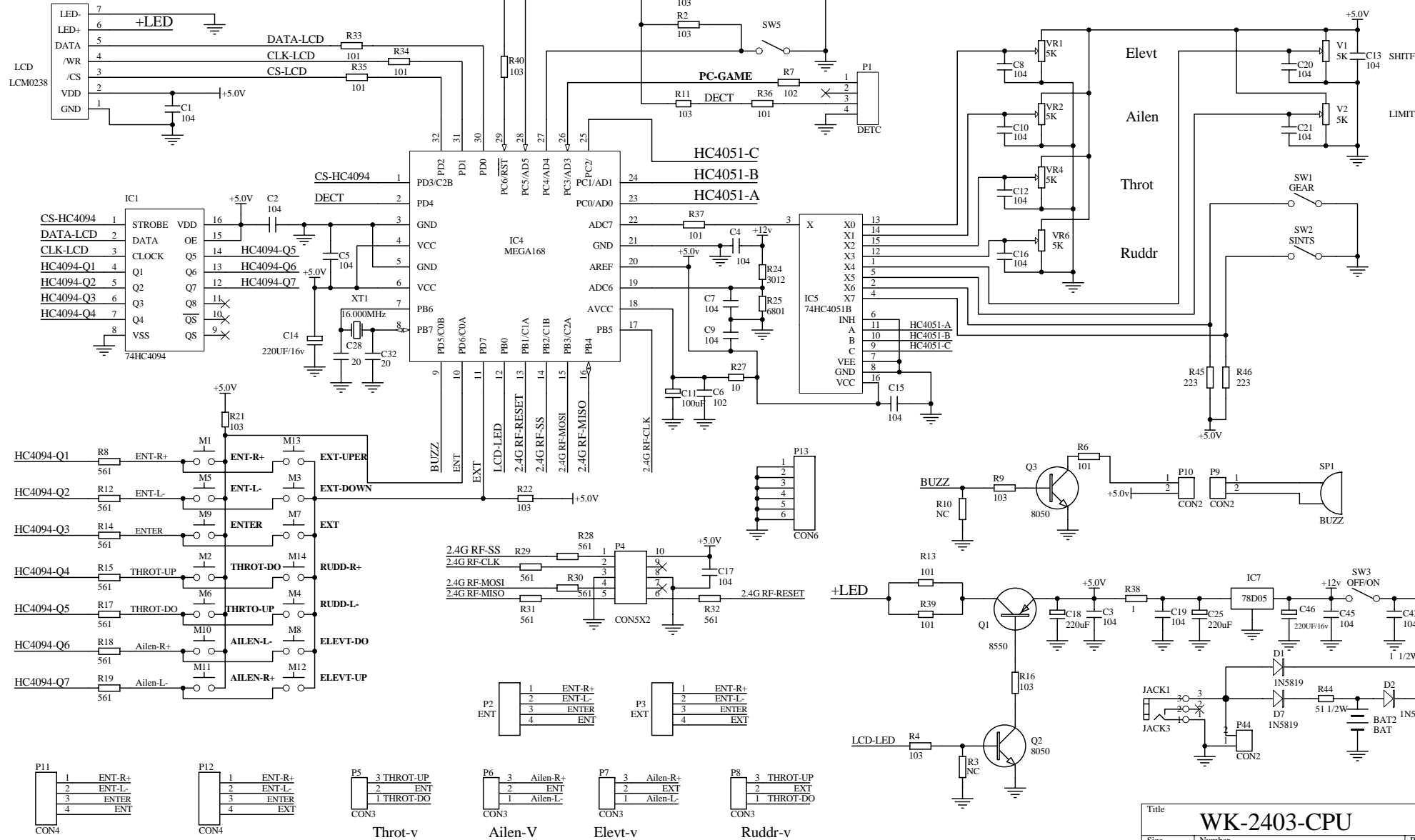


| | | | | | |
|-------|--------------------------------|-----------|-------------------|-------------------|--|
| Title | | | WK-2403-RF | | |
| Size | Number | | | Revision | |
| A4 | | | | 1.0 | |
| Date: | 2010-3-24 | Sheet of | | | |
| File: | F:\Altium文件\WK-2808A-RF.SchDoc | Drawn By: | | chenzongli | |



| | | |
|--------------------|---------------------------------|-----------|
| Title | | |
| WK-2403-CPU | | |
| Size | Number | Revision |
| B | | |
| Date: | 2010-3-24 | Sheet of |
| File: | F:\Altium文件\WK-2602A-CPU.SchDoc | Drawn By: |