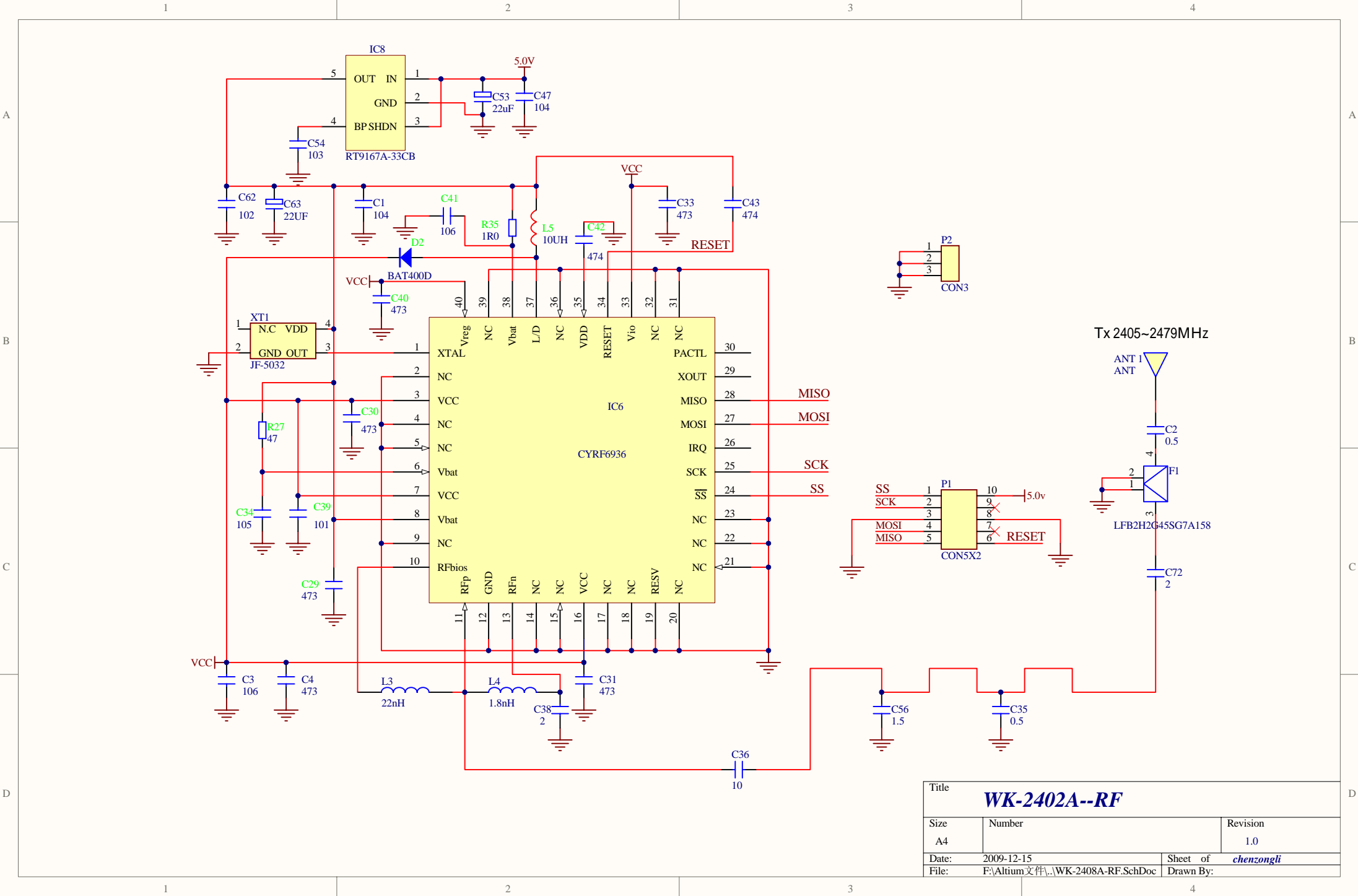


Title		
<b>WK-2402A-CPU</b>		
Size	Number	Revision
B		
Date:	2009-12-15	Sheet of
File:	F:\Altium文件\WK-2602A-CPU.SchDoc	Drawn By:



Title		
<b>WK-2402A--RF</b>		
Size	Number	Revision
A4		1.0
Date:	2009-12-15	Sheet of <b>chenzongli</b>
File:	F:\Altium文件\WK-2408A-RF.SchDoc	Drawn By: