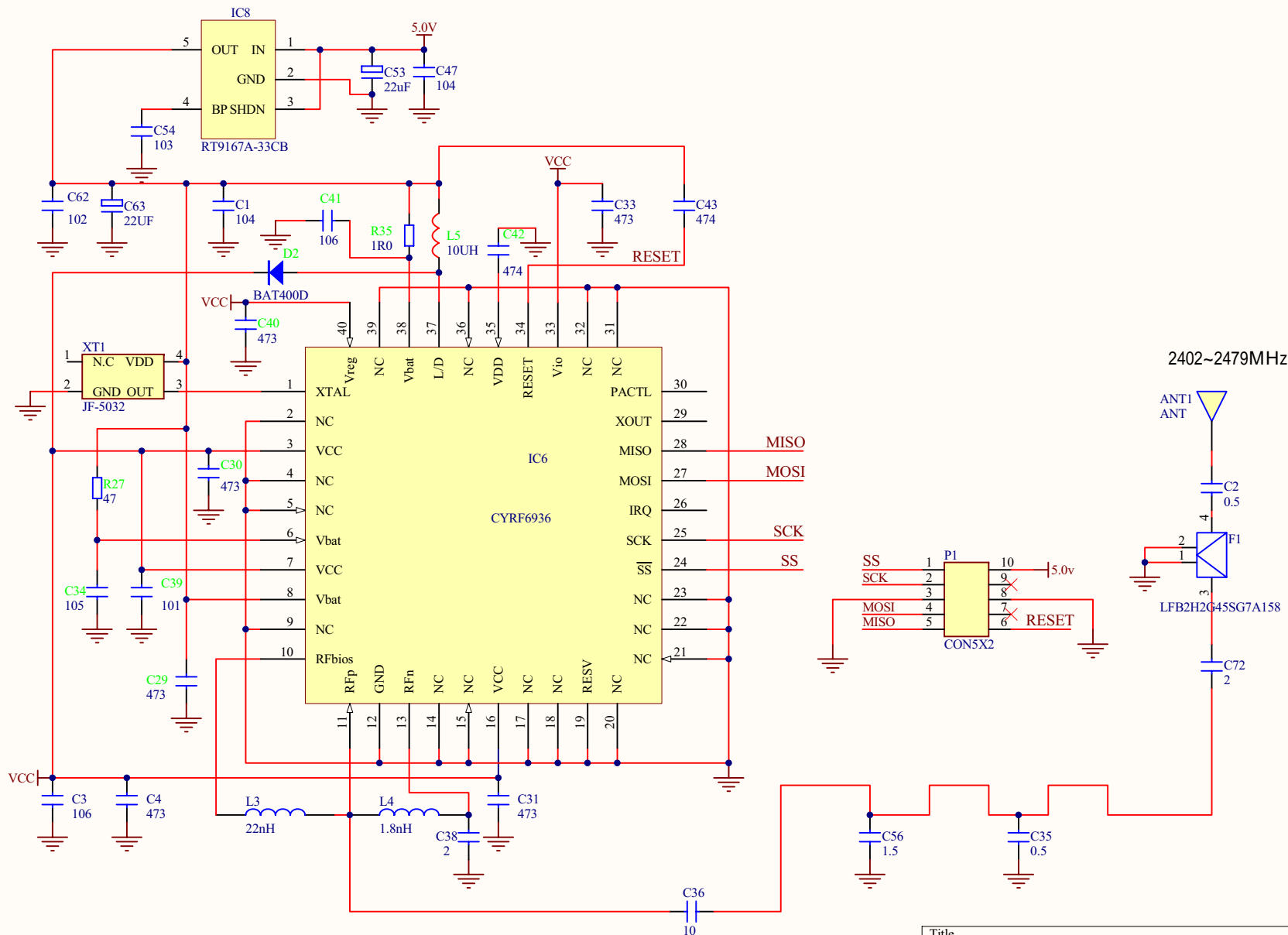


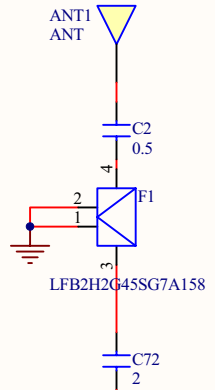
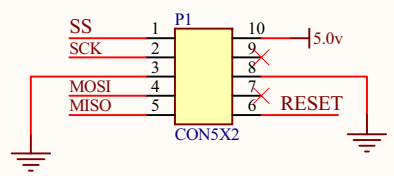
Title		
Size	A4	Revision
Date:	2009-8-19	Sheet of
File:	F:\Altium文件\WK-2402-CPU.SchDoc	Drawn By:

WK-2402-CPU

Throt-v Ailen-V Elevt-v Ruddr-v



2402~2479MHz



Title		
WK-2408--RF		
Size	Number	Revision
A4		1.0
Date:	2009-8-19	Sheet of chenzongli
File:	F:\Altium文件\WK-2408-RF.SchDoc	Drawn By: