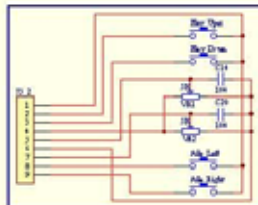
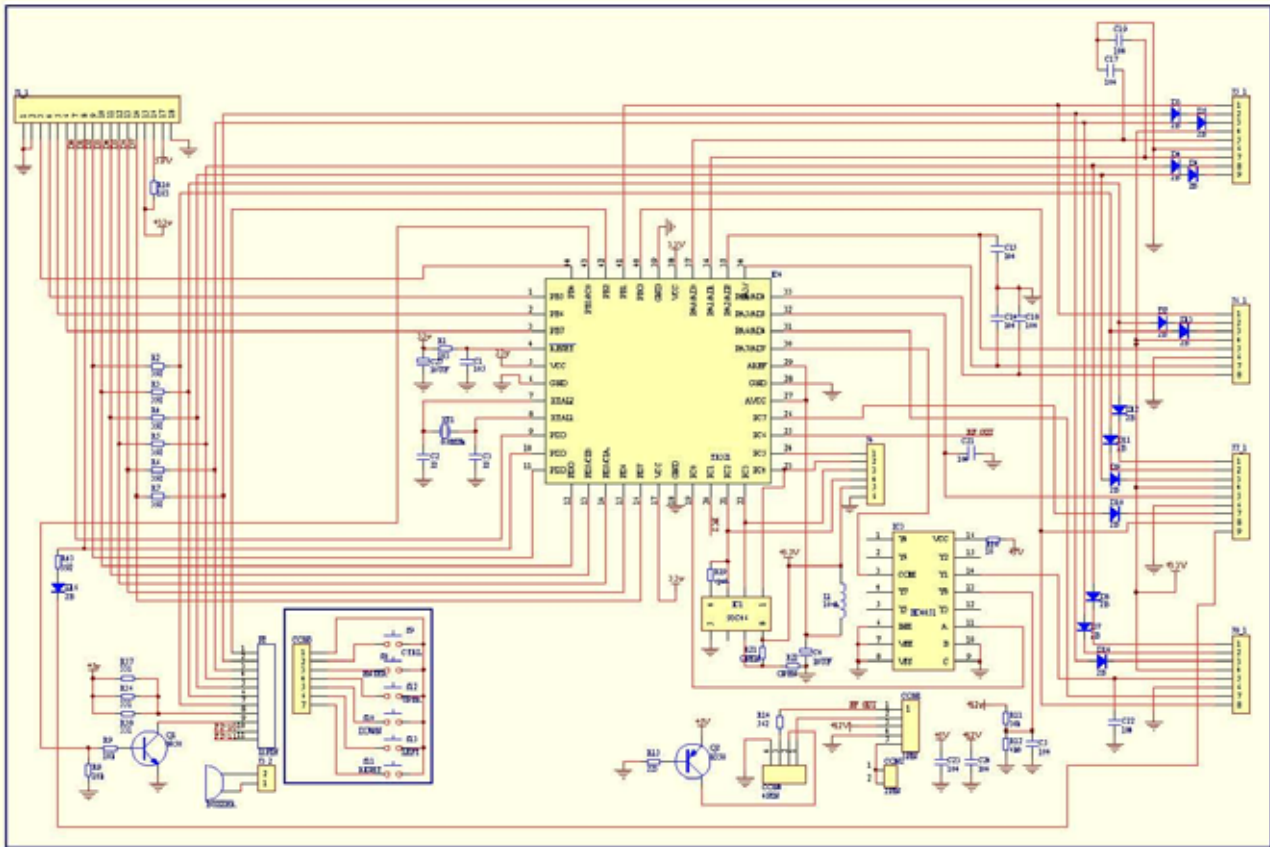
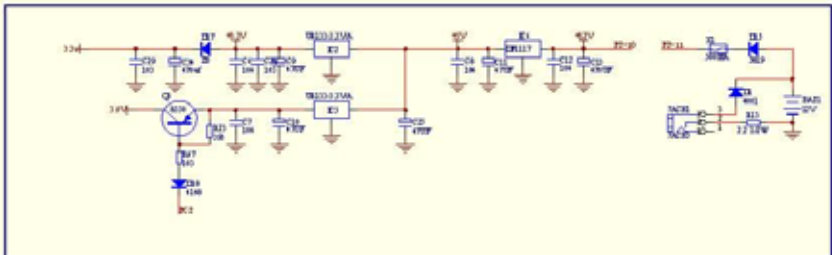
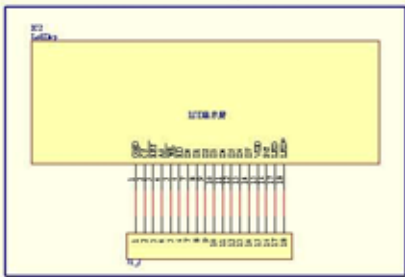
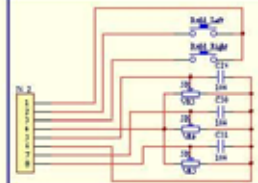


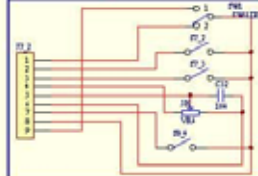
Schematic Diagram of WK-1001 (72.81MHz)



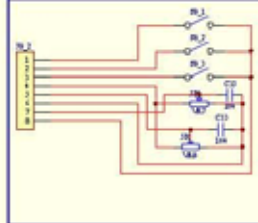
向前微调  
向前微调  
向后 ELEV  
左右 AILE  
向左微调  
向右微调



向左转向微调  
向右转向微调  
左右转向 RUD  
油门 THRO  
油门微调

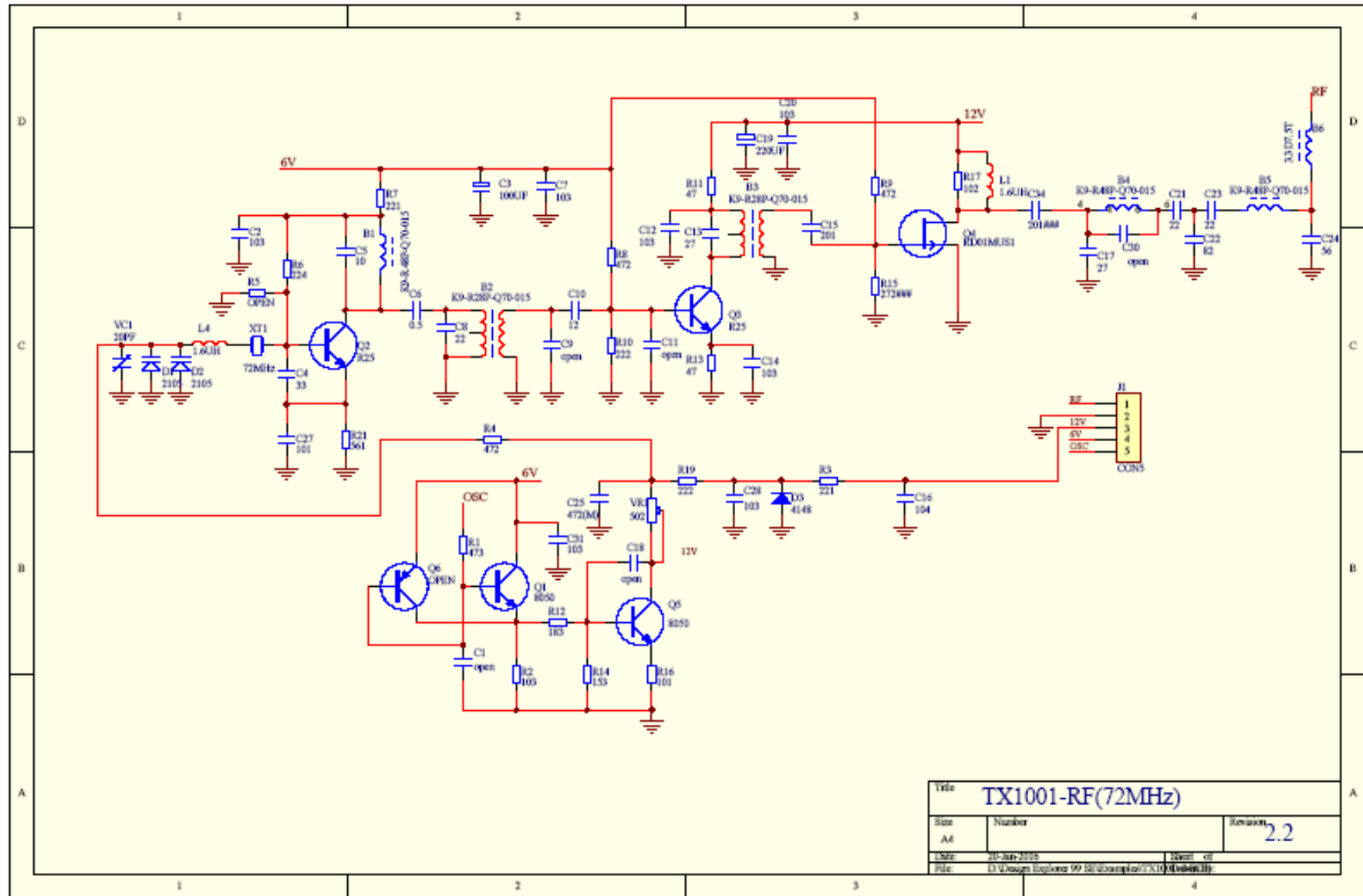


FMODE  
GEAR/INVERT  
NOT USED  
HOV-T  
AILE D/R



RUDD D/R  
ELEV D/R  
AT ROT  
HOV P  
FIT TRIM

File	TR32LCD	
Ver	1.00	Rev
C		2.1
Date		Rev
File	D:\Work\Project\TR32LCD\TR32LCD.Sch	



Title		
TX1001-RF(72MHz)		
Size	Number	Revision
A4		2.2
Date	30-Jan-2016	Sheet of
File	D:\Design Explorer 99 32\Example\TX1001\TX1001.RB	