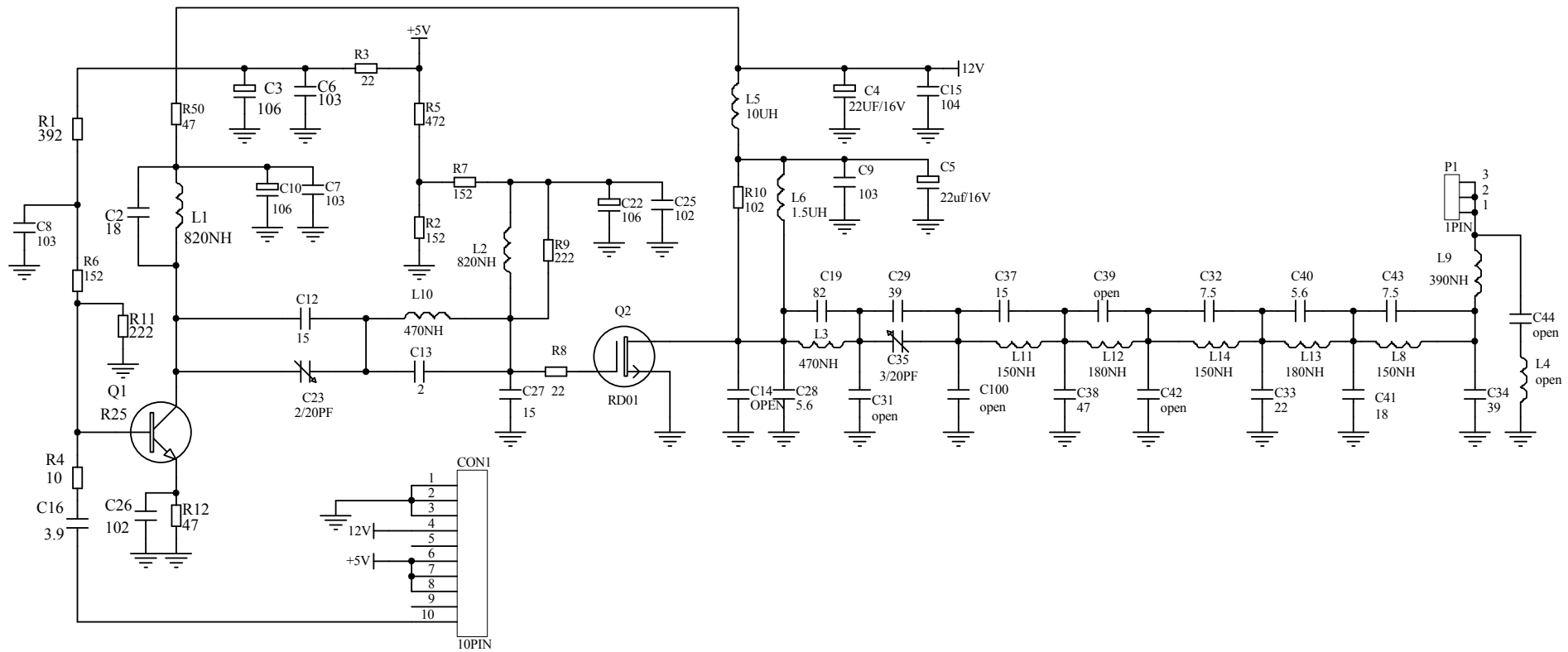


Title		
WK-PCM-0703(72MHz)		
Size	Number	Revision
A3		
Date:	31-Oct-2006	Sheet of
File:	PCB设计文件.ddb	Drawn By:



Title		
WK-PCM-702(RF)-72MHz		
Size	Number	Revision
A4		
Date:	28-Jul-2006	Sheet of
File:	E:\设计文件.ddb	Drawn By: