

Guangzhou Huadu District Datang communication antenna factory

规格书

SPECIFICATION FOR APPROVAL

客户名称

Customer: GUANGZHOU Walkera Technology Co., Ltd

产品名称

Product Name: PCB ANTENNA

规格描述

Description: DTXLB2400-IPEX-110mm

发出日期:

Approval Date: 2023-07-06

ADD: Workshop 1, No. 113, Pingshi West Road, Huacheng Street, Huadu District, Guangzhou

TEL: +86 020-36981239

目录

| | |
|--|---|
| 1. 电性能参数 ELECTRICAL SPECIFICATIONS | 3 |
| 2. 机械性能 MECHANICAL SPECIFICATIONS | 3 |
| 3. 尺寸图 DIMENSION DRAWING | 4 |
| 4. VSWR | 4 |
| 5. 测试数据 TEST DATA | 5 |

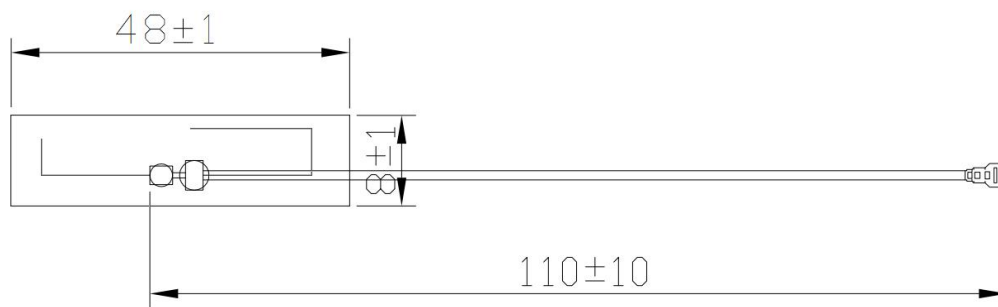
1. 电性能参数 ELECTRICAL SPECIFICATIONS

| | |
|-------------------------|-----------------|
| 频率范围 Frequency Range | 2400-2500Mhz |
| 输入阻抗 Impedance | 50 Ω |
| 驻波比 VSWR | <3.0 |
| 增益 Gain | 2dBi |
| 极化 Polarization | Vertical |
| 方向性 Radiation | omnidirectional |
| 最大功率 Max power | 50W |

2. 机械性能 MECHANICAL SPECIFICATIONS

| | |
|-----------------------------|-----------------------|
| 厚度 Thickness | ----- |
| 宽度 Width | 8±1mm |
| 长度 Length | 48±1mm |
| 增益 Gain | 2dBi |
| 接口 Connector | IPEX 4 |
| 电缆长度 Length of Cable | 0.81 black line 110mm |
| 雷电保护 Lighting protection | DC ground |

3. 尺寸图 DIMENSION DRAWING



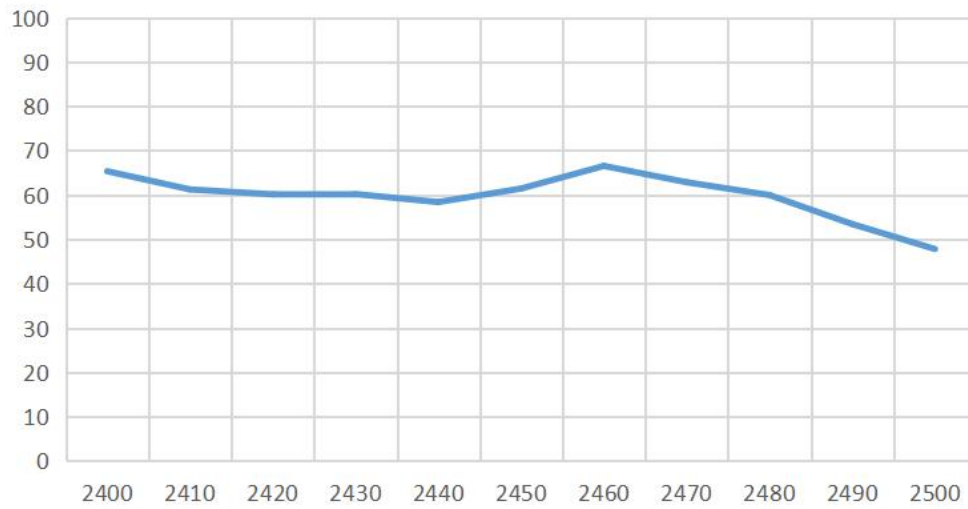
4. VSWR



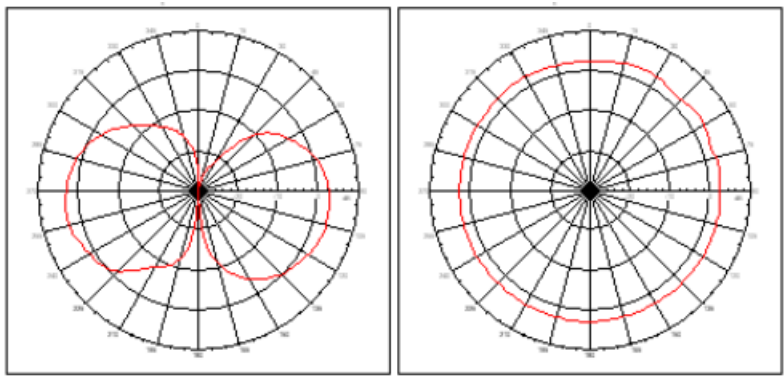
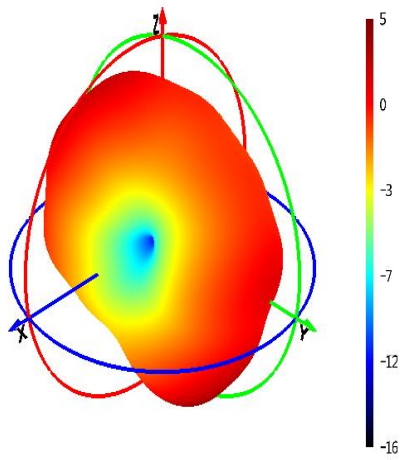
5. 测试数据 TEST DATA

| Freq (MHz) | Gain (dBi) |
|------------|------------|
| 2400 | 1.83 |
| 2410 | 1.78 |
| 2420 | 1.97 |
| 2430 | 1.85 |
| 2440 | 1.93 |
| 2450 | 2.00 |
| 2460 | 1.97 |
| 2470 | 1.89 |
| 2480 | 1.48 |
| 2490 | 1.79 |
| 2500 | 1.86 |

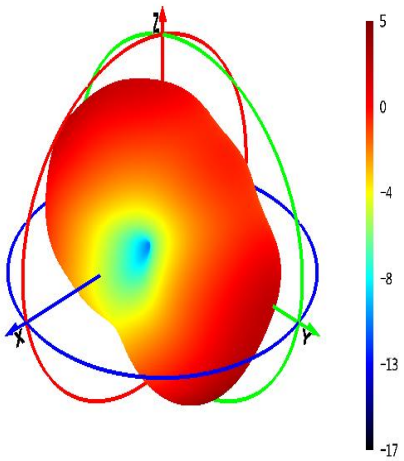
2400.00MHz - 2500.00MHz Efficiency

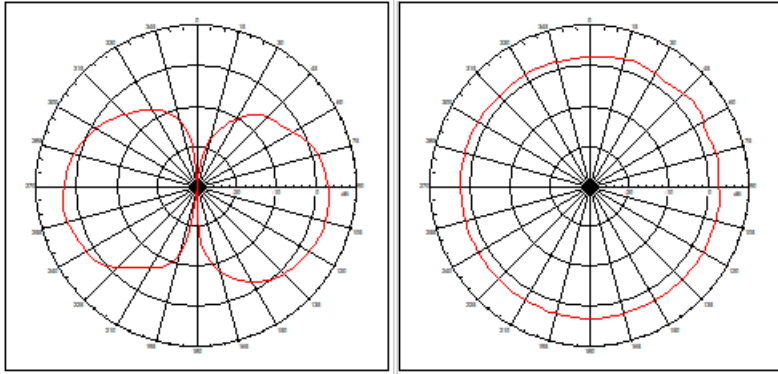


2400MHz



2450MHz





2500MHz

