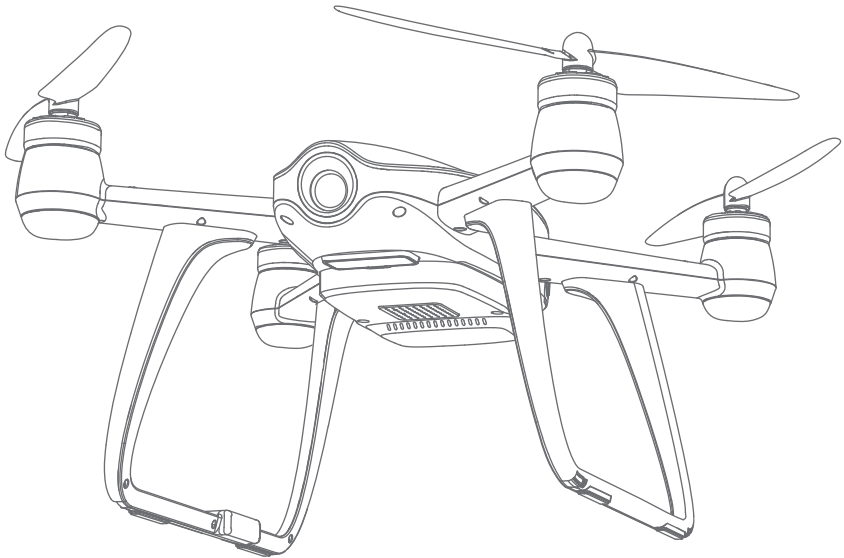


AIBAO

QUICK START GUIDE

v1.1 12th-SEP-2016

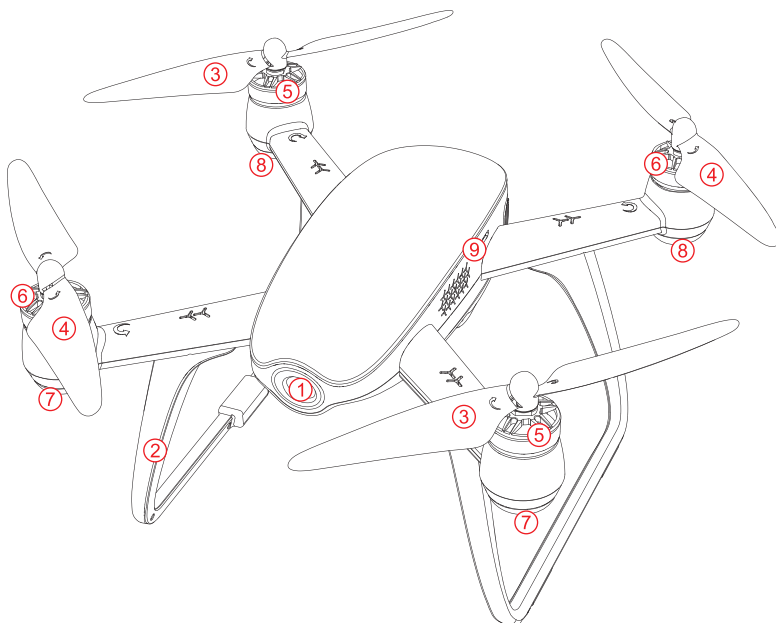


Contents

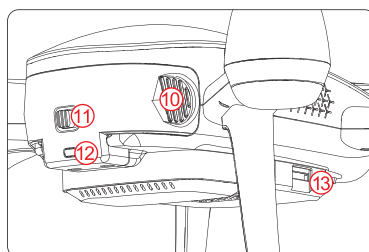
1.0 Get to Know Your Aircraft	3
2.0 Get to Know Your Remote Controller	4
3.0 Specifications	5
4.0 Attention before flight	5
5.0 Charge the Battery	6
6.0 Prepare the AIBAO	6
7.0 Prepare the Remote Controller	6
8.0 Install "Walkera Drone" and "Aibao GO" on your mobile	7
9.0 Walkera Drone Operating Main Interface Instructions	7-8
10.0 Aibao GO Game Main Interface Instructions	8
11.0 Ready for flight	9
11.1 Starting the aircraft	9
11.2 Connect to APP Software	9
11.3 GPS indicator lights	10
11.4 Motor Unlock / Lock	10
12.0 Operation Instruction	11-14
13.0 End Flying	15
14.0 Additional remarks	15
14.1 Compass Calibration	15
14.2 Remote Controller stick mode switch and stick calibration	16

1.0 Get to Know Your Aircraft

- Brand-new industrial design and modular design, easy to install and update.
- With 5.8G WIFI digital video transmission, bring diverse visual effect.
- The newest built-in main flight controller system enable very stable flight.



- | | |
|-------------------------------------|--------------------------------------|
| 1. Camera | 8. GPS signal indicator(red) |
| 2. Landing gear x4 | 9. Upgrade port |
| 3. Clockwise propeller | 10. Battery: 7.6V 5200mAh 5C 2S LiPo |
| 4. Counterclockwise propeller | 11. Power switch |
| 5. Clockwise motor | 12. Power indicator |
| 6. Counterclockwise motor | 13. Memory card slot |
| 7. Aircraft Status Indicators(blue) | |

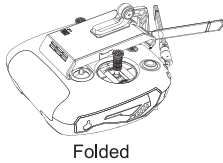


* To avoid property loss and personal injury caused by wrong operation, please read the manual carefully before flight.

2.0 Get to Know Your Remote Controller

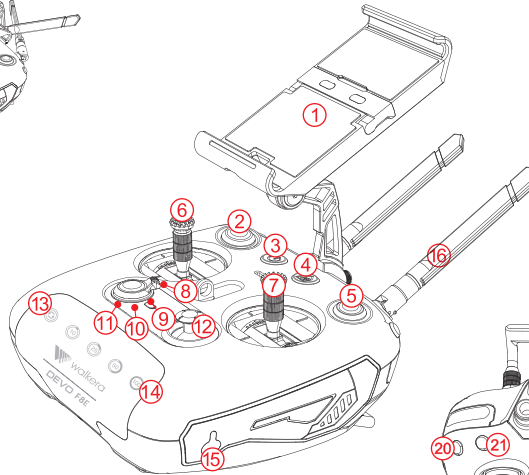
DEVO F8E with the built-in 5.8G WiFi Module. Equipped with functions like AUTO takeoff / AUTO Landing GPS hold mode / Return To Home, camera controlling, the AIBAO is easier to control.

(You can select the suitable flight mode according to your flying skill.)

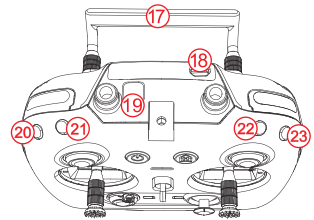


Folded

1. Mobile Device Holder
2. AUTO Takeoff
3. Power Button
4. Return To Home
5. AUTO Landing
6. Lift stick
7. Right stick
8. Manual Mode
9. GPS Mode
10. Motion Mode
11. Circle flight
12. Gimbal control stick

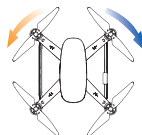
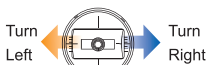
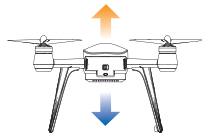
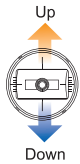


13. Status LED
14. Battery Level LEDs
15. Charger socket
16. Antenna
17. Handle Bar
18. Upgrade port
19. Training port
20. Video button
21. Camera button
22. Gimbal return
23. Gimbal pattern

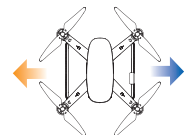
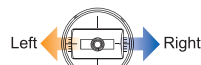
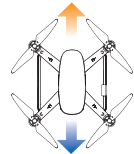
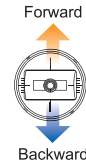


The default setting is Mode 2. The left stick controls the aircraft's altitude and heading, while the right stick controls its forward, backward, left and right movements.

Left Stick



Right Stick

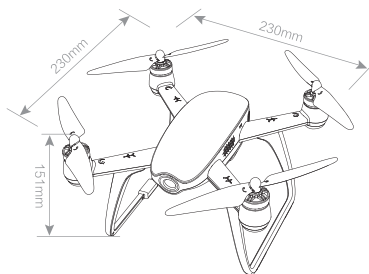


* Maximum transmission distance about 1.5km as measured under the experimental environment, for reference purpose only.

3.0 Specifications

• Aircraft

Main Rotor Dia.:	186mm
Overall (L x W x H):	230 x 230 x 151mm
Weight:	420g (Battery excluded)
Remote Controller:	DEVO F8E
Receiver:	DEVO-RX719
Main Controller:	FCS-280 AIBAO
Brushless Motor:	WK-WS-28-014B(CW/CCW)
Brushless ESC:	AIBAO(CW/CCW)
Battery:	7.6V 5200mAh 5C 2S LiPo
Flight Time:	About 20mins
Working Temperature:	-10 C ~ +40 C

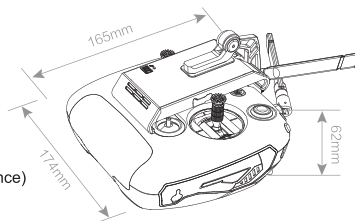


• 4K Camera

Image sensor:	1/2.3 Inch SONY Effective pixels 16 million
Lens:	FOV 100° F2.2-2.8 Focus infinity
Max photo resolution:	16M(4640 x 3480)
Max video resolution:	4k/25p
Video container:	MP4/MOV (H.264)
Photo container:	JPG
Support TF card:	Maximum capacity 64G
Working Temperature:	-10 C ~ +40 C

• The remote controller

Overall (L x W x H):	165 x 174 x 62mm
Working frequency:	2.4G
Signal range:	About 1.5KM (open without shelter, no electromagnetic interference)
Built-in battery:	7.4V 3000mAh Li-po 2S

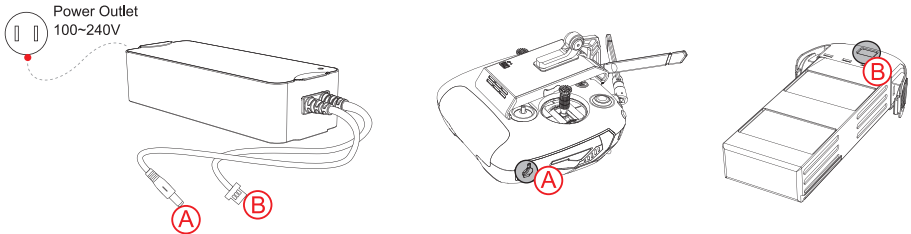


4.0 Attention before flight

- 1) The AIBAO is recommended for pilots, 14 years or older, with RC hobby experience.
- 2) Only fly the AIBAO in dry weather, with low wind, please do not fly in rain, snow or heavy foggy conditions.
- 3) Always choose large open fields for flying. Check local LAW and ordinances for legal flying areas.
- 4) Always keep at least 10 feet distance to the aircraft when armed, to avoid injury from high-speed propellers on the ground or while flying. Always disarm before handling the aircraft.
- 5) Do not fly close to high-voltage power lines, cellphone towers, or radio towers, as these may disrupt your control signal.
- 6) ALWAYS check local laws BEFORE flying. NEVER fly over crowds, concerts or sports stadiums.

5.0 Charge the Battery

- 1) Connect the charger to an AC power supply (100 ~ 240V 50 / 60HZ).
- 2) Please charge the battery in the closed state of remote controller, aircraft battery.

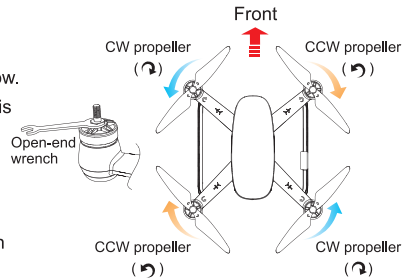


Attention:

- Charger indication green is always on, it indicates that the aircraft battery is fully charged.
- Remote controller lights are off, indicating that the remote controller battery is fully charged.

6.0 Prepare the AIBAO

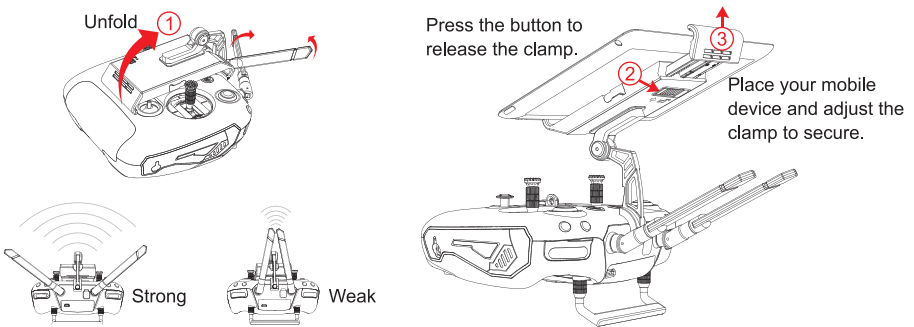
Fix the CW propeller (↻) onto the CW motor according to the direction of blue arrow, and fix the CCW propeller (↻) onto the CCW motor according to the direction of orange arrow. Tighten the propellers manually and make sure the propeller is installed in proper way and fastened.



Attention:

- Install prop by hand and tighten by holding the motor with the included wrench. You can also use the wrench to help remove broken props in case of a crash.

7.0 Prepare the Remote Controller



* Ensure that the aircraft is flying within the optimal transmission zone. To achieve the best transmission performance, maintain the appropriate relationship between the operator and the aircraft.

8.0 Install "Walkera Drone" and "Aibao GO" on your mobile

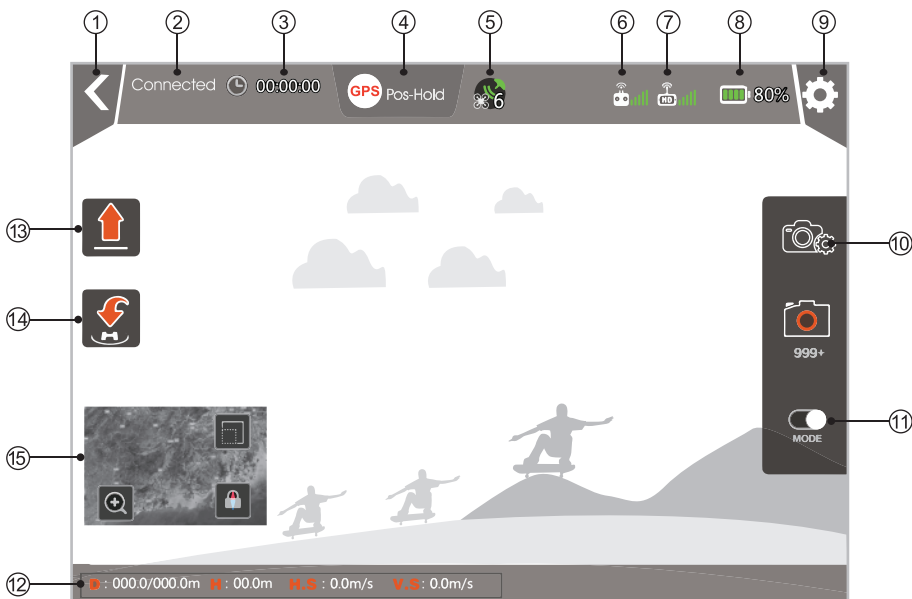
Search "**Walkera Drone and Aibao GO**" at Apple Store and install it on your mobile.

We recommend you to use this software on tablet devices to get the best experience.



Software supports IOS 9.0 version or above.

9.0 Walkera Drone Operating Main Interface Instructions

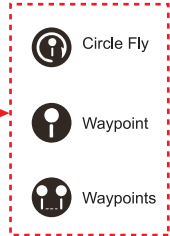
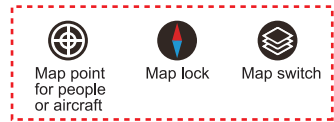
In the interface, HD video and photographs can be real-time previewed, as well as the dynamic setting parameters, such as aircraft, remote controller and battery.



1. Return [<]: Return to last step.
2. Equipment connection status: Connected or Disconnected.
3. The flight time [⌚]: Aircraft flight time.
4. The aircraft model: Display aircraft flight mode.
5. Number of aircraft satellite [📶]: Displays the received satellites of aircraft.
6. The remote controller signal strength [📶]: Displays the signal level between remote controller and aircraft.
7. Camera signal [📶]
8. Battery Levels [🔋80%]: Real-time display the current Flight Battery remaining levels.
9. Setting [⚙️]: Click the icon to open the Setting menu, Normal setting, aircraft, remote controller, gimbal and battery can be charged.
10. Camera settings [📷]: You can set the video size, photo size, and stream.
11. Photography and video switch [📷/📹]: Photo: photo button is used to trigger the camera take pictures. While this function also supported in the remote controller. Video: video button to start/stop video. It can also press the video button on the remote controller for video.
12. Flight status parameters:
 - Distance: aircraft with returning point horizontal distance.
 - Height: aircraft with returning point vertical distance.
 - Horizontal velocity: the speed of vehicle in a horizontal direction.
 - Vertical speed: speed of aircraft in the vertical direction.

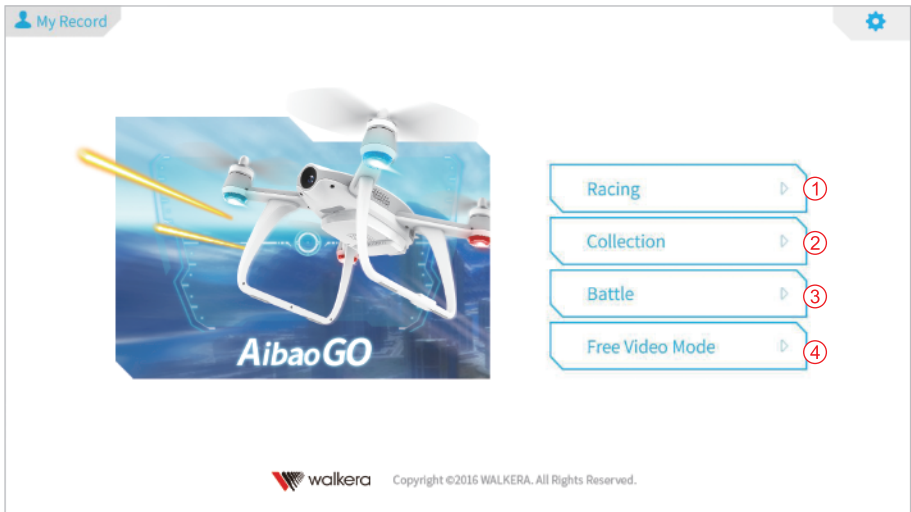
13. Auto Takeoff []: Click the button, the aircraft take off automatically
14. Return to Home []: Click the button, the aircraft stop waypoint flying, and return back automatically.
15. A thumbnail map icon:

Click on the thumbnail icon quickly switch to the map interface.



10.0 Aibao GO Game Main Interface Instructions

The AIBAO GO will activate once you start the GPS mode with a strong GPS signal.



1. Racing Mode: Click to enter Racing mode.

You can set up a virtual circuit in the real scene, and practice the racing flight, improve your flight technology.

2. Collection Mode: Click to enter Collection mode.

You can follow a prescribed route to collect COINS, and win the reward after completing the game.

3. Battle Mode: Click to enter Battle mode.

Powerful aircraft will appear in around you, start the fire and shoot down enemy planes to win the game.

4. Free Video Mode: Click to enter Free Video mode. Watch the aerial images in real time.