



Label Here



1

2

3

4

5

Scale/1:1
Unit/mm
DO NOT SCALE DRAWING

1

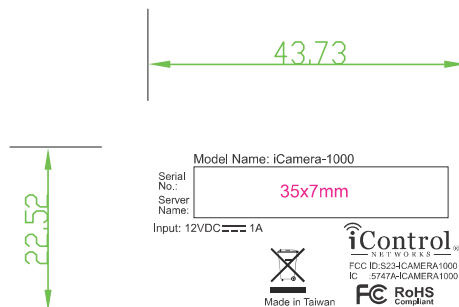
訂正

A

B

C

D



This device complies with Part 15 of the FCC Rules. Operation is subject to the following two conditions: (1) this device may not cause harmful interference and (2) this device must accept any interference received, including interference that may cause undesired operation

This Class B digital apparatus complies with Canada RSS-210. Cet appareil numérique de la classe B est conforme à la norme CNR-210 du Canada

Notes:

1. 材質: #75消銀特多龍(變色)上打字用霧膜(P037)
2. 背壓花膠 / 葛拉馨底紙, 成捲
3. 印刷顏色: 黑
4. 外型公差: +0, -0.2mm
5. 其餘公差: +/- 0.2mm
6. 背膠公差 +/- 0.5mm
7. Scale: 100%
8. 本料件使用之材料須符合RoHS

DONOTSCALEDRAWING

MODEL	iCamera	NAME	消銀龍/ iControl		SCALE	/
DSN		PART. No	932YW900HZ		SHEET	OF
CHK		MATERIAL		Q'TY	PC	REV.
APV						REV. DATE
FILE						2010.10.14

USED