

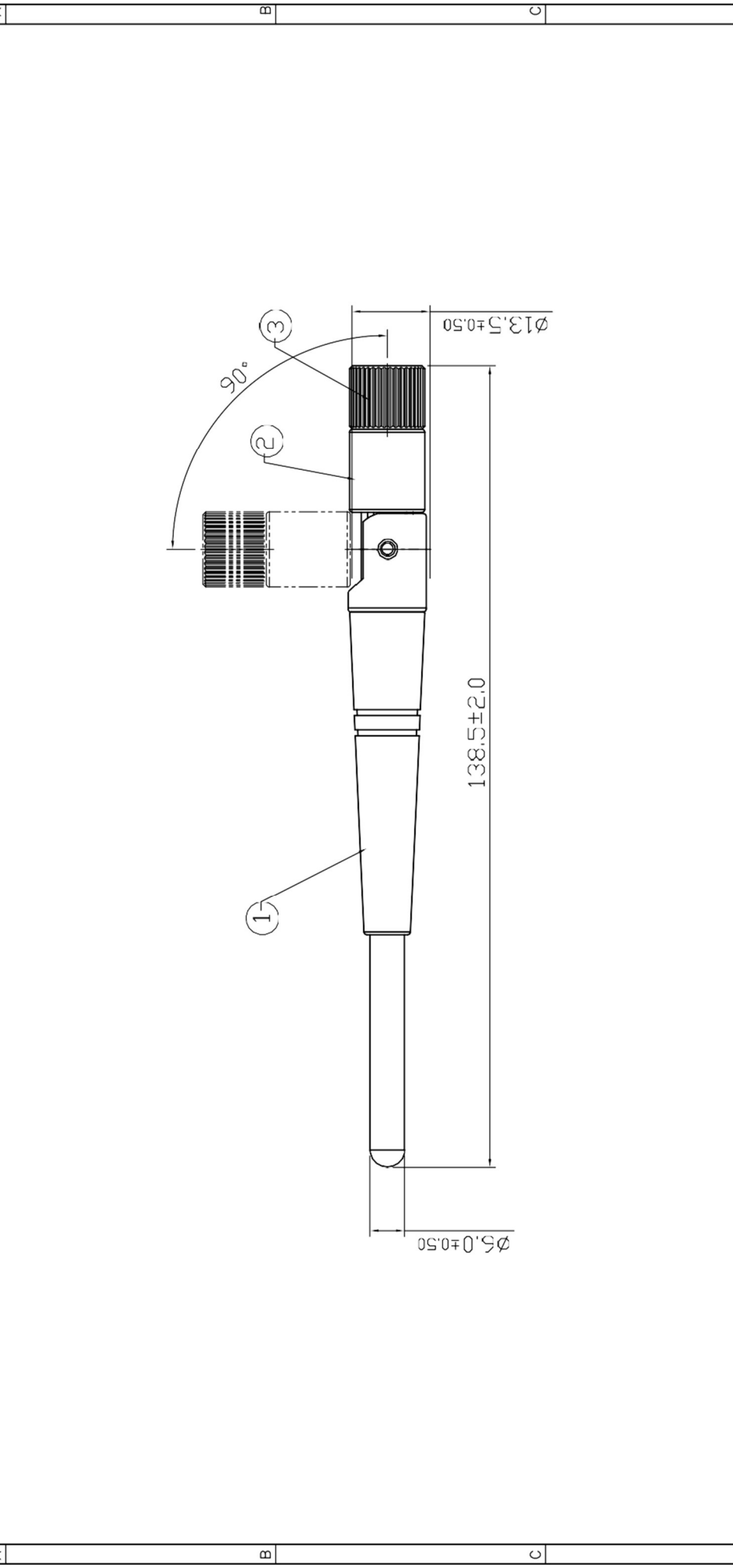
驪 企 業 股 份 有 限 公 司
ARISTOTLE ENTERPRISES

承 認 申 請 書

ROHS COMPLIANCE

客戶名稱:	醫揚科技股份有限公司
Customer	Onyx Healthcare.Inc
廠商料號:	RFA-25-L14M3-B70
Part No.	Dual Band
品名:	
Description	
圖號:	RFA-25-L14M3-B70
Drawing No.	
客戶料號:	1759902502
Drawing No.	

1	2	3	4	5
NO.	NAME	FINISH	MAT'L	Q'TY
1.	ANT. Shell	BLACK	ABS	1
2.	Hinge	BLACK	ABS	1
3.	Connector	BLACK	ABS	1
				MEMO
				RP SMA PLUG



ARISTOLE ENTERPRISES INC.		亞馬麗企業股份有限公司	
PROJECTION	UNITS	SCALE	TITLE
	mm	1/1	RFA-25-L14M3-B70
APPD.	PAPER	A4	DWG. NO.
CHKD.			RFA-25-L14M3-B70
DESIGN			REV. A
DRAW	DATE	05/02/24	
ECN	NAME	J.W.Lee	
REV			
4.			
3.			
2.			
1.			

RFA-25-L14M3-B70

Specifications

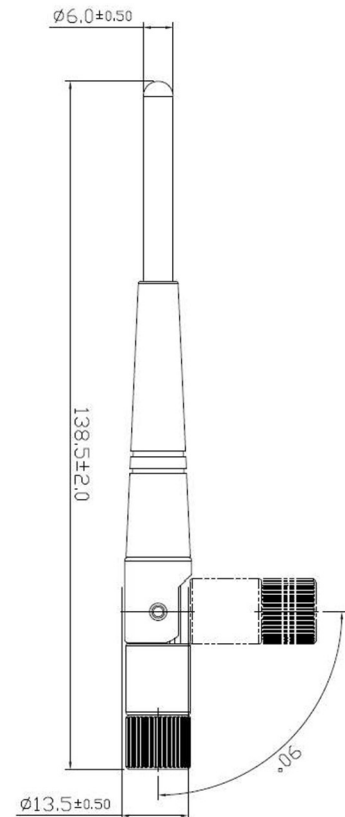
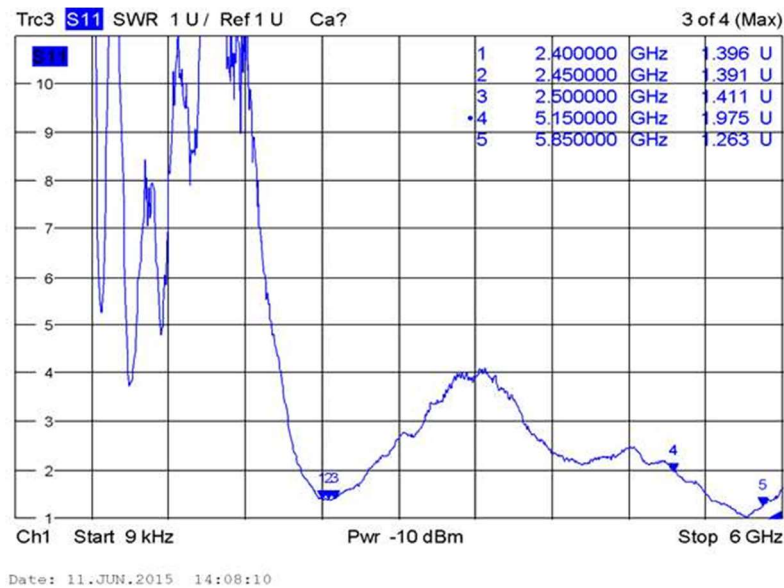
Frequency range	2400 –2500 MHz	5150 –5875 MHz
Peak gain	2.5dBi	3.5dBi
Average gain	1.5dBi	1.5dBi
VSWR	2.0 : 1 Max.	2.5 : 1 Max.
Polarization	Linear, vertical	
Impedance	50 Ω	
Connector	RP SMA PLUG	

Environment & Mechanical Characteristics

Temperature	- 10°C to +55°C
Humidity	95% @ 25°C

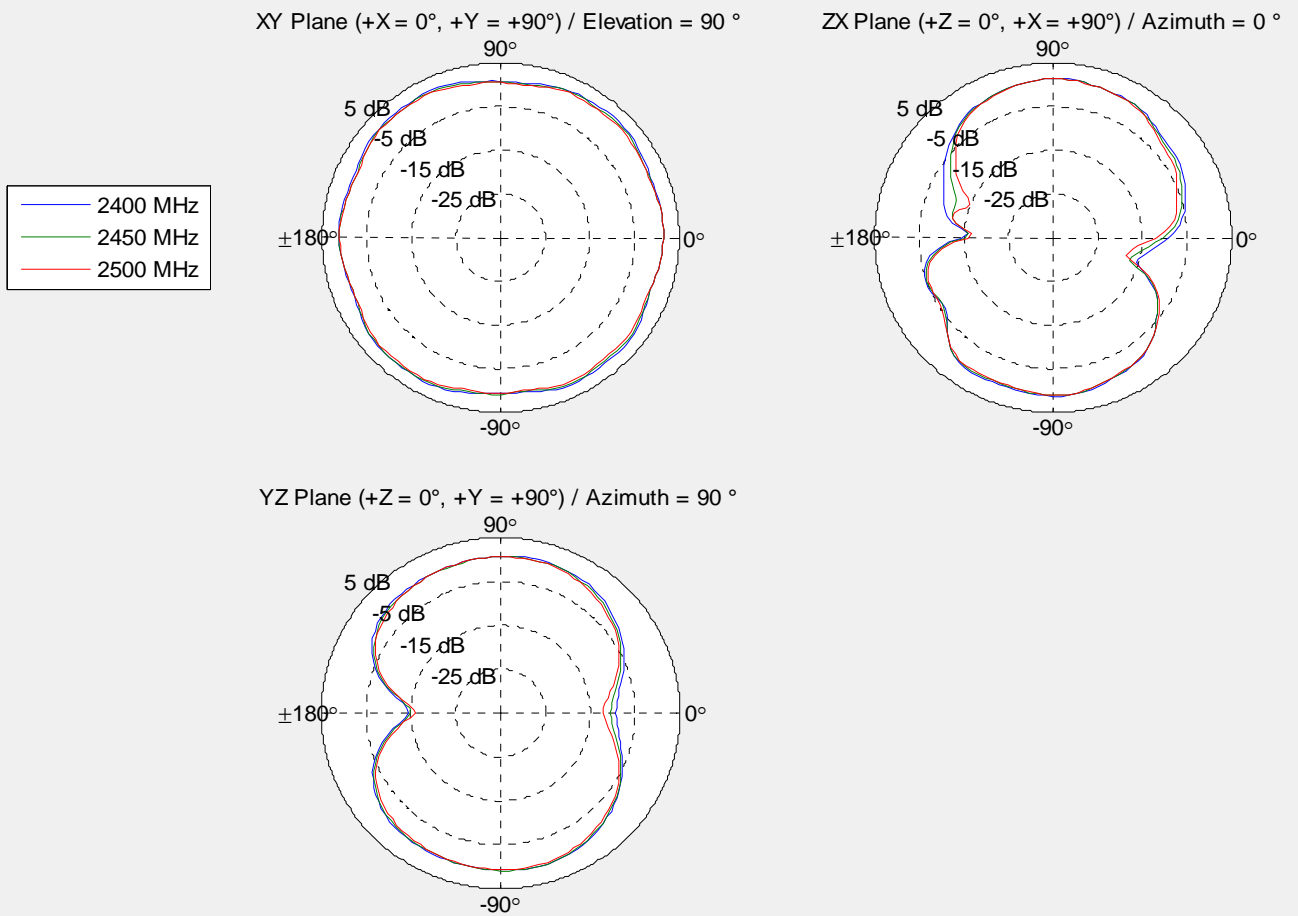


VSWR



Radiation Pattern

25-L14M3 2G Band = 2400 - 2500 MHz % 2G Band

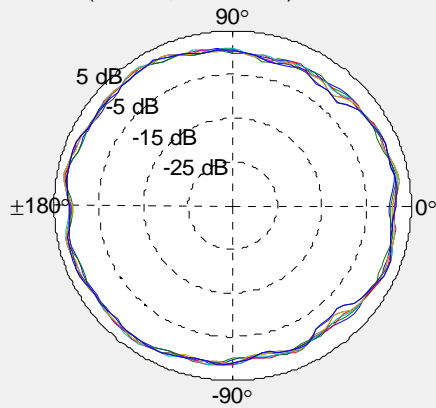


Radiation Pattern

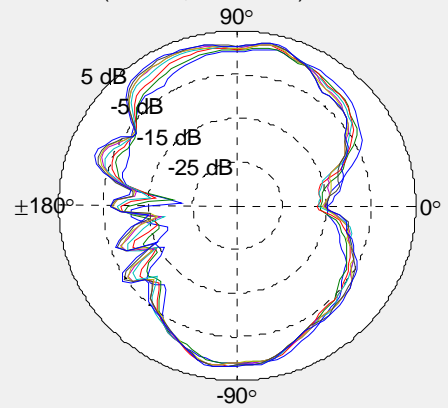
25-L14M3 5G Band = 5150 - 5875 MHz % 5G Band

- 5150 MHz
- 5350 MHz
- 5475 MHz
- 5600 MHz
- 5725 MHz
- 5750 MHz
- 5825 MHz
- 5875 MHz

XY Plane (+X = 0°, +Y = +90°) / Elevation = 90 °



ZX Plane (+Z = 0°, +X = +90°) / Azimuth = 0 °



YZ Plane (+Z = 0°, +Y = +90°) / Azimuth = 90 °

