

RF Test Report

Applicant : ONYX Healthcare Inc.

Product Type : Mobile Medical Assistant Tablet

Trade Name : onyx

Model Number : ONYX-MD101, xxxONYX-MD101xxxxxxxxxx (x=0~9, A~Z, a~z or blank or middle bar; for marketing purpose only and no impact safety related constructions and critical components)

Test Specification : FCC 47 CFR PART 15 SUBPART C
ANSI C63.10:2013

Receive Date : Jul. 25, 2017

Test Period : Aug. 04~Aug. 08, 2017

Issue Date : Aug. 24, 2017

Issue by

A Test Lab Techno Corp.
No. 140-1, Changan Street, Bade District,
Taoyuan City 33465, Taiwan (R.O.C)
Tel : +886-3-2710188 / Fax : +886-3-2710190



Taiwan Accreditation Foundation accreditation number: 1330

Test Firm MRA designation number: TW0010

Note: This report shall not be reproduced except in full, without the written approval of A Test Lab Techno Corp. This document may be altered or revised by A Test Lab Techno Corp. personnel only, and shall be noted in the revision section of the document. The client should not use it to claim product endorsement by TAF, or any government agencies. The test results in the report only apply to the tested sample.



Revision History

Rev.	Issue Date	Revisions	Revised By
00	Aug. 24, 2017	Initial Issue	Janet Chao

Verification of Compliance

Issued Date: Aug. 24, 2017

Applicant : ONYX Healthcare Inc.
Product Type : Mobile Medical Assistant Tablet
Trade Name : onyx
Model Number : ONYX-MD101, xxxONYX-MD101xxxxxxxxxx (x=0~9, A~Z, a~z or blank or middle bar; for marketing purpose only and no impact safety related constructions and critical components)
FCC ID : RZ5-MD101
EUT Rated Voltage : DC 15V, 2.4A
Test Voltage : 120 Vac / 60 Hz
Applicable Standard : FCC 47 CFR PART 15 SUBPART C
ANSI C63.10:2013
Test Result : Complied

Performing Lab. : A Test Lab Techno Corp.
No. 140-1, Changan Street, Bade District,
Taoyuan City 33465, Taiwan (R.O.C)
Tel : +886-3-2710188 / Fax : +886-3-2710190



Taiwan Accreditation Foundation accreditation number: 1330
<http://www.atl-lab.com.tw/e-index.htm>

A Test Lab Techno Corp. tested the above equipment in accordance with the requirements set forth in the above standards. All indications of Pass/Fail in this report are opinions expressed by A Test Lab Techno Corp. based on interpretations and/or observations of test results. Measurement Uncertainties were not taken into account and are published for informational purposes only. The test results show that the equipment tested is capable of demonstrating compliance with the requirements as documented in this report.

Approved By : Fly Lu Reviewed By : Eric Ou Yang
(Manager) (Fly Lu) (Testing Engineer) (Eric Ou Yang)



TABLE OF CONTENTS

1	General Information.....	5
	1.1. Summary of Test Result.....	5
	1.2. Measurement Uncertainty.....	5
2	EUT Description.....	6
3	Test Methodology.....	7
	3.1. Mode of Operation.....	7
	3.2. EUT Exercise Software.....	7
	3.3. Configuration of Test System Details.....	8
	3.4. Test Site Environment.....	8
4	Maximum Conducted Output Power Measurement.....	9
5	AC Power Line Conducted Emission Measurement.....	11
6	Radiated Interference Measurement.....	15
7	20dB RF Bandwidth Measurement.....	44
8	Carrier Frequency Separation Measurement.....	48
9	Number of Hopping Measurement.....	52
10	Time of Occupancy (Dwell Time) Measurement.....	55
11	Out of Band Conducted Emissions Measurement.....	62
12	Antenna Measurement.....	67



1 General Information

1.1. Summary of Test Result

FCC Standard	Item	Result	Remark
15.207	AC Power Conducted Emission	PASS	-----
15.203	Antenna Requirement	PASS	-----
15.247(b)(1)	Max. Output Power	PASS	-----
15.247(d)	Transmitter Radiated Emissions	PASS	-----
15.247(a)(1)	20dB RF Bandwidth	PASS	-----
15.247(a)(1)	Carrier Frequency Separation	PASS	-----
15.247(a)(1)(iii)	Number of Hopping	PASS	-----
15.247(a)(1)(iii)	Time of Occupancy (Dwell Time)	PASS	-----
15.247(d)	Out of Band Conducted Spurious Emission	PASS	-----

The test results of this report relate only to the tested sample(s) identified in this report. Manufacturer or whom it may concern should recognize the pass or fail of the test result.

1.2. Measurement Uncertainty

Test Item	Frequency Range	Uncertainty (dB)
Conducted Emission	9kHz ~ 150KHz	2.7
	150kHz ~ 30MHz	2.7
Radiated Emission	9kHz ~ 30MHz	1.7
	30MHz ~ 1000MHz	5.7
	1000MHz ~ 18000MHz	5.5
	18000MHz ~ 26500MHz	4.8
	26500MHz ~ 40000MHz	4.8
Conducted Output Power	+0.27 dB / -0.28 dB	
RF Bandwidth	4.96%	
Power Spectral Density	+0.71 dB / -0.77 dB	

2 EUT Description

Applicant	ONYX Healthcare Inc. 2F,No.135,Lane235,Pao chiao Rd.,XINDIAN DIST., New Taipei City 231, Taiwan		
Manufacturer	ONYX Healthcare Inc. 2F,No.135,Lane235,Pao chiao Rd.,XINDIAN DIST., New Taipei City 231, Taiwan		
Product	Mobile Medical Assistant Tablet		
Trade Name	onyx		
Model Number	ONYX-MD101, xxxONYX-MD101xxxxxxxx (x=0~9, A~Z, a~z or blank or middle bar; for marketing purpose only and no impact safety related constructions and critical components)		
Model Different Description	Those model numbers differ from each other in selling region.		
FCC ID	RZ5-MD101		
Frequency Range	2402 ~ 2480 MHz		
Modulation Type	GFSK for 1Mbps		
	$\pi/4$ -DQPSK for 2Mbps		
	8DPSK for 3Mbps		
Operate Temp. Range	-10 ~ 55 °C		
Antenna information	Type	Max. Gain (dBi)	
		PIFA Antenna	
RF Output Power (Conducted)	GFSK for 1Mbps	0.00318	W
	$\pi/4$ -DQPSK for 2Mbps	0.00216	W
	8DPSK for 3Mbps	0.00229	W

3 Test Methodology

3.1. Mode of Operation

Decision of Test ATL has verified the construction and function in typical operation. All the test modes were carried out with the EUT in normal operation, which was shown in this test report and defined as:

Pre-Test Mode
Mode 1: Transmit mode
Mode 2: GFSK Continuous TX mode
Mode 3: $\pi/4$ -DQPSK Continuous TX mode
Mode 4: 8DPSK Continuous TX mode

After verification, all tests were carried out with the worst case test modes as shown below except radiated spurious emission below 1GHz and power line conducted emissions below 30MHz, which worst case was in TX mode only. By preliminary testing and verifying three axis (X, Y and Z) position of EUT transmitted status, it was found that "X axis" position was the worst, then the final test was executed the worst condition and test data were recorded in this report.

Final-Test Mode
Mode 1: Transmit mode
Mode 2: GFSK Continuous TX mode
Mode 4: 8DPSK Continuous TX mode

Description of Test Modes

Preliminary tests were performed in different modulation to find the worst case. The modulation has shown the worst-case in section 4.5. Investigation has been done on all the possible configurations for searching the worst cases.

Tested System Details

The types for all equipments, plus descriptions of all cables used in the tested system (including inserted cards) are:

	Product	Manufacturer	Model Number	Serial Number	Power Cord
1.	Bluetooth Tester	R & S	CBT	100350	NA

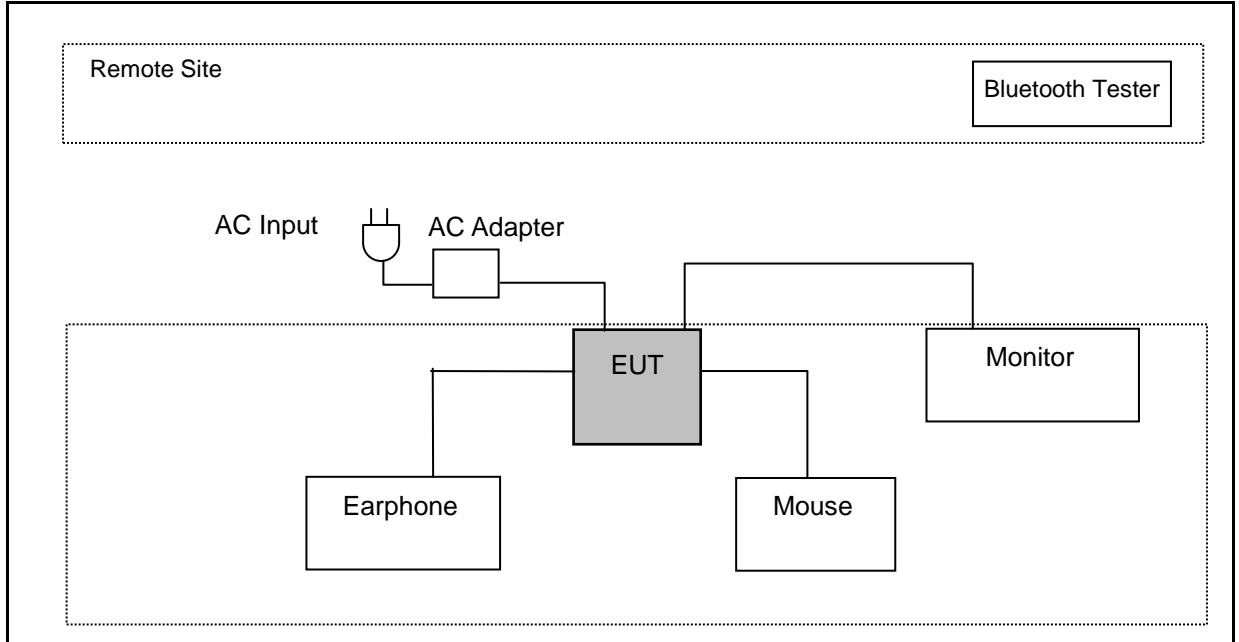
3.2. EUT Exercise Software

1	Setup the EUT and Bluetooth Tester (CBT) as shown on 3.3.
2	Turn on the power of all equipment.
3	Turn on Bluetooth function and link to Bluetooth tester
4	EUT run test program.

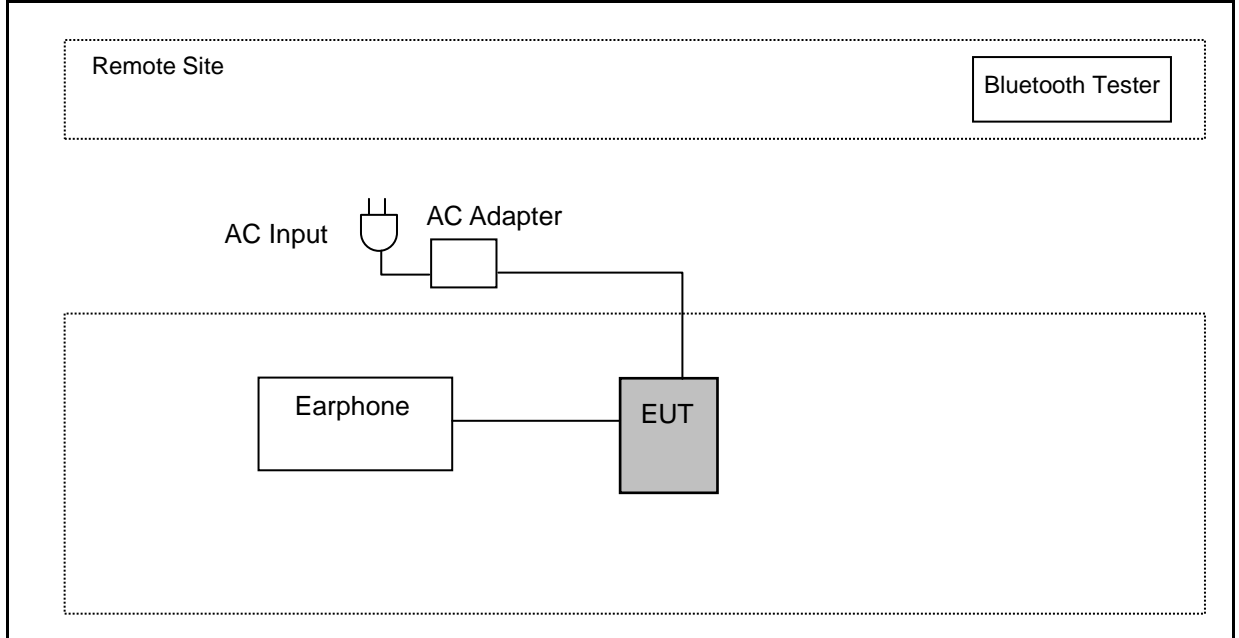
Measurement Software	
1	EZ-EMC Ver. ATL-03A1-1
2	EZ-EMC Ver ATL-ITC-3A1-1

3.3. Configuration of Test System Details

Conducted Emission



Radiated Emissions



3.4. Test Site Environment

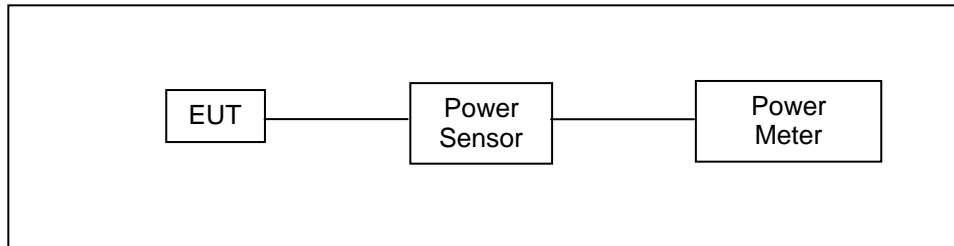
Items	Required (IEC 60068-1)	Actual
Temperature (°C)	15-35	26
Humidity (%RH)	25-75	60
Barometric pressure (mbar)	860-1060	950

4 Maximum Conducted Output Power Measurement

■ Limit

For frequency hopping systems operating in the 2400–2483.5 MHz band employing at least 75 non-overlapping hopping channels < 0.125 watt.

■ Test Setup



■ Test Instruments

Equipment	Manufacturer	Model Number	Serial Number	Cal. Date	Remark
Power Sensor	Anritsu	MA2411B	1126022	08/29/2016	1 year
Power Meter	Anritsu	ML2495A	1135009	08/29/2016	1 year
Microwave Cable	EMCI	EMC104-SM-SM-1 500	140303	02/22/2017	1 year
Test Site	ATL	TE05	TE05	N.C.R.	----

NOTE: N.C.R. = No Calibration Request.

■ Test Procedure

Testing must be done according to this procedure, FCC Public Notice DA 00-705 - Filing and Measurement Guidelines for Frequency Hopping Spread Spectrum Systems. This is the only method recognized by the FCC. The tests below are run with the EUT's transmitter set at high power in TX mode. The EUT is needed to force selection of output power level and channel number. While testing, EUT was set to transmit continuously. Remove the Subjective device's antenna and connect the RF output port to power sensor. The maximum peak output power shall not exceed 1 watt.

Use a direct connection between the antenna port of transmitter and the power sensor, for prevent the power sensor input attenuation 40-50 dB. Set the RBW Bandwidth of the emission or use a channel power meter mode.

For antennas with gains of 6 dBi or less, maximum allowed transmitter output is 1 watt (+30 dBm). For antennas with gains greater than 6 dBi, transmitter output level must be decreased by an amount equal to (GAIN - 6)/3 dBm.

The antenna port of the EUT was connected to the input of a power sensor. Power was read directly and cable loss correction was added to the reading to obtain power at the EUT antenna terminals.



■ Test Result

Test Mode	Frequency (MHz)	Packet Type	Average Power		Peak Power		Limit (W)
			(dBm)	(W)	(dBm)	(W)	
Mode 2	2402	DH1	4.18	0.00262	4.43	0.00277	< 0.125
		DH3	4.20	0.00263	4.45	0.00279	< 0.125
		DH5	4.25	0.00266	4.48	0.00281	< 0.125
	2441	DH1	4.39	0.00275	4.59	0.00288	< 0.125
		DH3	4.43	0.00277	4.62	0.00290	< 0.125
		DH5	4.49	0.00281	4.71	0.00296	< 0.125
	2480	DH1	4.70	0.00295	4.93	0.00311	< 0.125
		DH3	4.74	0.00298	4.97	0.00314	< 0.125
		DH5	4.78	0.00301	5.02	0.00318	< 0.125
Mode 3	2402	2DH1	0.58	0.00114	3.27	0.00212	< 0.125
		2DH3	0.61	0.00115	3.31	0.00214	< 0.125
		2DH5	0.65	0.00116	3.35	0.00216	< 0.125
	2441	2DH1	0.52	0.00113	3.20	0.00209	< 0.125
		2DH3	0.55	0.00114	3.23	0.00210	< 0.125
		2DH5	0.58	0.00114	3.29	0.00213	< 0.125
	2480	2DH1	0.22	0.00105	3.01	0.00200	< 0.125
		2DH3	0.24	0.00106	3.03	0.00201	< 0.125
		2DH5	0.28	0.00107	3.08	0.00203	< 0.125
Mode 4	2402	3DH1	0.63	0.00116	3.53	0.00225	< 0.125
		3DH3	0.65	0.00116	3.57	0.00228	< 0.125
		3DH5	0.68	0.00117	3.60	0.00229	< 0.125
	2441	3DH1	0.55	0.00114	3.38	0.00218	< 0.125
		3DH3	0.58	0.00114	3.40	0.00219	< 0.125
		3DH5	0.61	0.00115	3.44	0.00221	< 0.125
	2480	3DH1	0.26	0.00106	3.18	0.00208	< 0.125
		3DH3	0.28	0.00107	3.21	0.00209	< 0.125
		3DH5	0.31	0.00107	3.25	0.00211	< 0.125

Note: The relevant measured result has the offset with cable loss already.

5 AC Power Line Conducted Emission Measurement

■ Limit

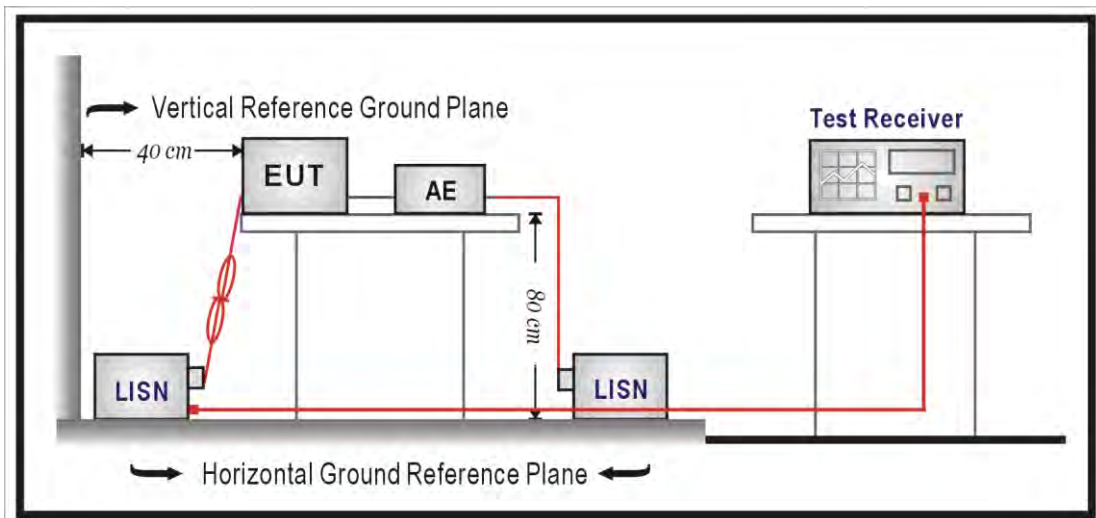
Frequency (MHz)	Quasi-peak	Average
0.15 - 0.5	66 to 56	56 to 46
0.50 - 5.0	56	46
5.0 - 30.0	60	50

■ Test Instruments

Describe	Manufacturer	Model Number	Serial Number	Cal. Date	Remark
Test Receiver	R&S	ESCI	100367	05/18/2017	1 year
LISN	R&S	ENV216	101040	04/01/2017	1 year
LISN	R&S	ENV216	101041	03/15/2017	1 year
RF Cable	Woken	00100D1380194M	TE-02-02	05/19/2017	1 year
Test Site	ATL	TE02	TE02	N.C.R.	-----

NOTE: N.C.R. = No Calibration Request.

■ Test Setup



■ Test Procedure

The EUT and simulators are connected to the main power through a line impedance stabilization network (L.I.S.N.). This provides a $50\Omega // 50\mu\text{H}$ coupling impedance for the measuring equipment. The peripheral devices are also connected to the main power through a LISN that provides a $50\Omega // 50\mu\text{H}$ coupling impedance with 50ohm termination.

Tabletop device shall be placed on a non-conducting platform, of nominal size 1 m by 1.5 m, raised 80 cm above the reference ground plane. The wall of screened room shall be located 40cm to the rear of the EUT. Other surfaces of tabletop or floor standing EUT shall be at least 80cm from any other ground conducting surface including one or more LISNs. For floor-standing device shall be placed under the EUT with a 12mm insulating material.

Conducted emissions were investigated over the frequency range from 0.15 MHz to 30 MHz using a resolution bandwidth of 9 kHz. The equipment under test (EUT) shall be meet the limits in section 4.1, as applicable, including the average limit and the quasi-peak limit when using respectively, an average detector and quasi-peak detector measured in accordance with the methods described of related standard. When all of peak value were complied with quasi-peak and average limit from 150kHz to 30MHz then quasi-peak and average measurement was unnecessary.

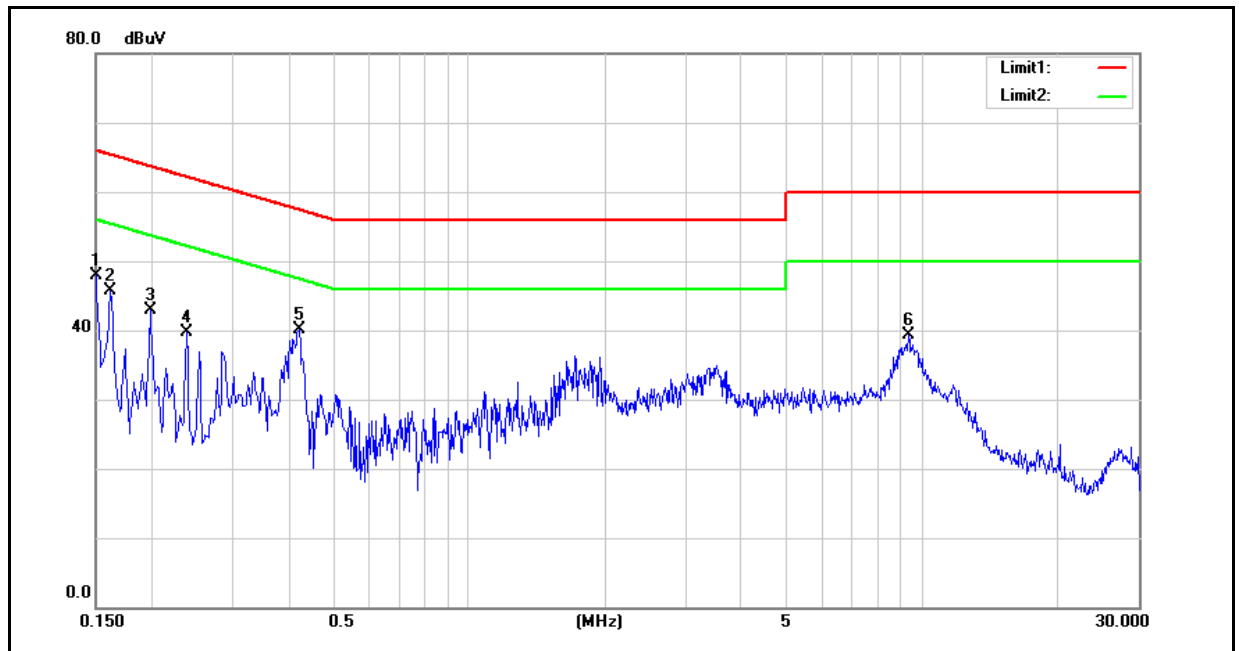
The AMN shall be placed 0,8 m from the boundary of the unit under test and bonded to a ground reference plane for AMNs mounted on top of the ground reference plane. This distance is between the closest points of the AMN and the EUT. All other units of the EUT and associated equipment shall be at least 0,8 m from the AMN. If the mains power cable is longer than 1m then the cable shall be folded back and forth at the centre of the lead to form a bundle no longer than 0.4m. All of interconnecting cables that hang closer than 40cm to the ground plane shall be folded back and forth in the center forming a bundle 30 cm to 40 cm long. All of EUT and AE shall be separate place more than 0.1m. All 50Ω ports of the LISN shall be resistively terminated into 50Ω loads when not connected to the measuring instrument.

If the reading of the measuring receiver shows fluctuations close to the limit, the reading shall be observed for at least 15 s at each measurement frequency; the higher reading shall be recorded with the exception of any brief isolated high reading which shall be ignored.



■ Test Result

Standard:	FCC Part 15.247	Line:	L1
Test item:	Conducted Emission	Power:	AC 120V/60Hz
Test Mode:	Mode 1	Temp.(°C)/Hum.(%RH):	26(°C)/60%RH
		Date:	08/08/2017
Description:			



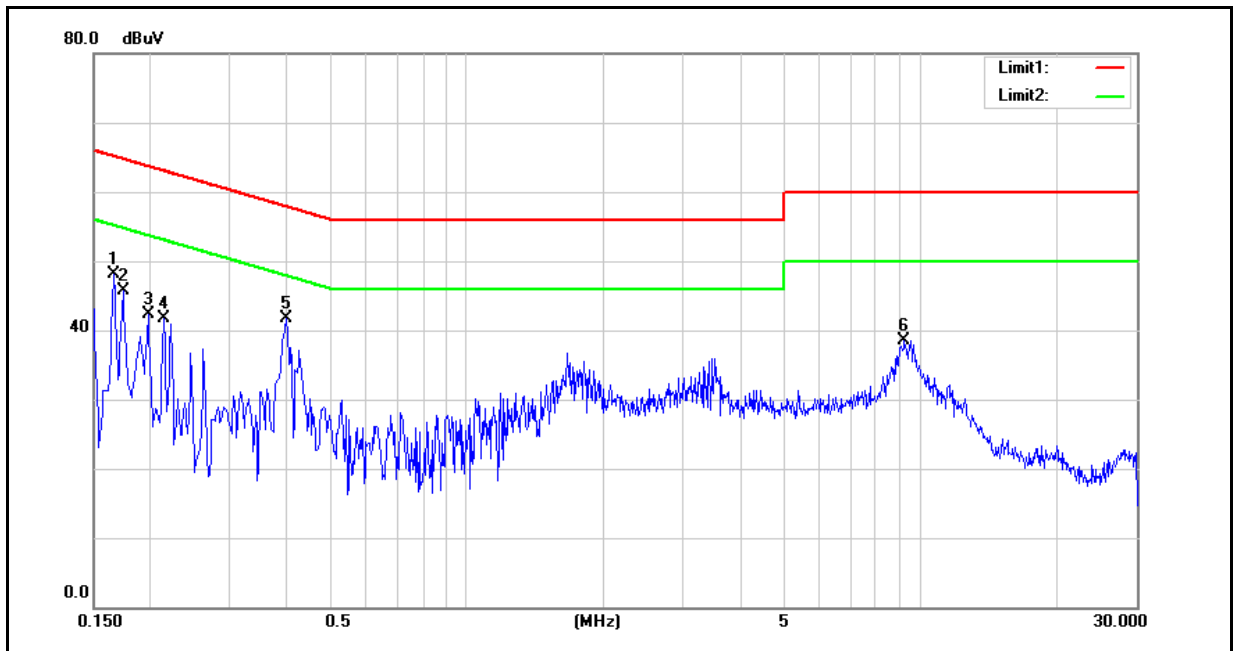
No.	Frequency (MHz)	QP reading (dBuV)	AVG reading (dBuV)	Correction factor (dB)	QP result (dBuV)	AVG result (dBuV)	QP limit (dBuV)	AVG limit (dBuV)	QP margin (dB)	AVG margin (dB)	Remark
1	0.1500	31.36	16.80	9.53	40.89	26.33	66.00	56.00	-25.11	-29.67	Pass
2	0.1620	29.85	17.10	9.54	39.39	26.64	65.36	55.36	-25.97	-28.72	Pass
3	0.1980	24.56	11.60	9.53	34.09	21.13	63.69	53.69	-29.60	-32.56	Pass
4	0.2380	19.11	8.06	9.53	28.64	17.59	62.17	52.17	-33.53	-34.58	Pass
5	0.4220	27.22	18.67	9.54	36.76	28.21	57.41	47.41	-20.65	-19.20	Pass
6	9.3420	24.00	16.82	9.78	33.78	26.60	60.00	50.00	-26.22	-23.40	Pass

Note: 1. Result (dBuV/m) = Correct Factor (dB/m) + Reading(dBuV).

2. Correction factor (dB) = Cable loss (dB) + L.I.S.N. factor (dB).



Standard:	FCC Part 15.247	Line:	N
Test item:	Conducted Emission	Power:	AC 120V/60Hz
Test Mode:	Mode 1	Temp.(°C)/Hum.(%RH):	26(°C)/60%RH
		Date:	08/08/2017
Description:			



No.	Frequency (MHz)	QP reading (dBuV)	AVG reading (dBuV)	Correction factor (dB)	QP result (dBuV)	AVG result (dBuV)	QP limit (dBuV)	AVG limit (dBuV)	QP margin (dB)	AVG margin (dB)	Remark
1	0.1660	30.16	17.14	9.63	39.79	26.77	65.16	55.16	-25.37	-28.39	Pass
2	0.1740	28.67	15.45	9.63	38.30	25.08	64.77	54.77	-26.47	-29.69	Pass
3	0.1980	25.92	12.00	9.63	35.55	21.63	63.69	53.69	-28.14	-32.06	Pass
4	0.2140	24.23	11.17	9.63	33.86	20.80	63.05	53.05	-29.19	-32.25	Pass
5	0.3980	28.83	21.17	9.64	38.47	30.81	57.90	47.90	-19.43	-17.09	Pass
6	9.2260	23.83	17.24	9.91	33.74	27.15	60.00	50.00	-26.26	-22.85	Pass

Note: 1. Result (dBuV/m) = Correct Factor (dB/m) + Reading(dBuV).

2. Correction factor (dB) = Cable loss (dB) + L.I.S.N. factor (dB).



6 Radiated Interference Measurement

■ Limit

According to §15.209(a), except as provided elsewhere in this subpart, the emissions from an intentional radiator shall not exceed the field strength levels specified in the following table:

Frequency (MHz)	Field Strength ($\mu\text{V}/\text{m}$ at meter)	Measurement Distance (meters)
0.009 – 0.490	2400 / F (kHz)	300
0.490 – 1.705	24000 / F (kHz)	30
1.705 – 30.0	30	30
30 - 88	100**	3
88-216	150**	3
216-960	200**	3
Above 960	500	3

** Except as provided in paragraph (g), fundamental emissions from intentional radiators operating under this Section shall not be located in the frequency bands 54-72 MHz, 76-88 MHz, 174-216 MHz or 470-806 MHz. However, operation within these frequency bands is permitted under other sections of this Part, e.g., Sections 15.231 and 15.241.

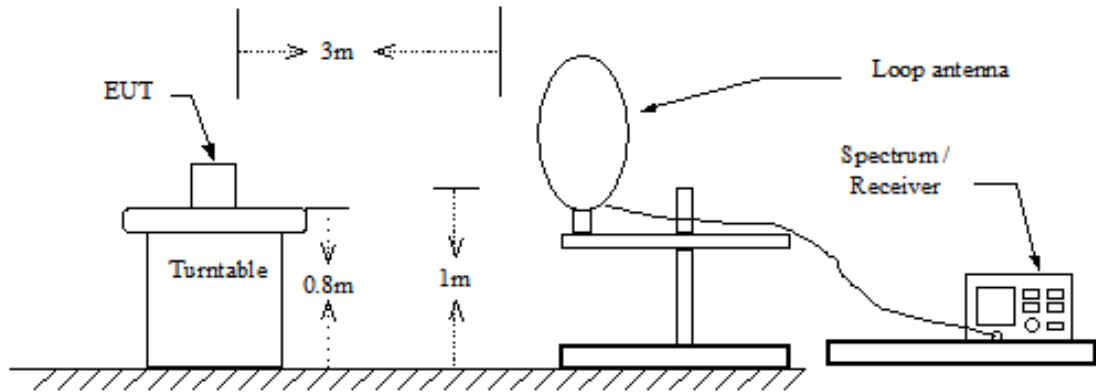
■ Test Instruments

3 Meter Chamber					
Equipment	Manufacturer	Model Number	Serial Number	Cal. Date	Cal. Period
RF Pre-selector	Agilent	N9039A	MY46520256	04/24/2017	1 year
Spectrum Analyzer	Agilent	E4446A	MY46180578	04/24/2017	1 year
Pre Amplifier	Agilent	8449B	3008A02237	10/11/2016	1 year
Pre Amplifier	Agilent	8447D	2944A11119	01/12/2017	1 year
Broadband Antenna	Schwarzbeck	VULB9168	416	10/13/2016	1 year
Horn Antenna (1~18GHz)	SCHWARZBECK MESS-ELEKTRONIK	BBHA9120D	9120D-550	06/20/2017	1 year
Horn Antenna (18~40GHz)	ETS	3116	86467	09/05/2016	1 year
Loop Antenna	COM-POWER CORPORATION	AL-130	121014	01/26/2017	1 year
Microwave Cable	EMCI	EMC102-KM-KM-14000	151001	02/20/2017	1 year
Microwave Cable	EMCI	EMC-104-SM-SM-14000	140202	02/20/2017	1 year
Microwave Cable	EMCI	EMC104-SM-SM-600	140301	02/20/2017	1 year
Test Site	ATL	TE01	888001	08/29/2016	1 year

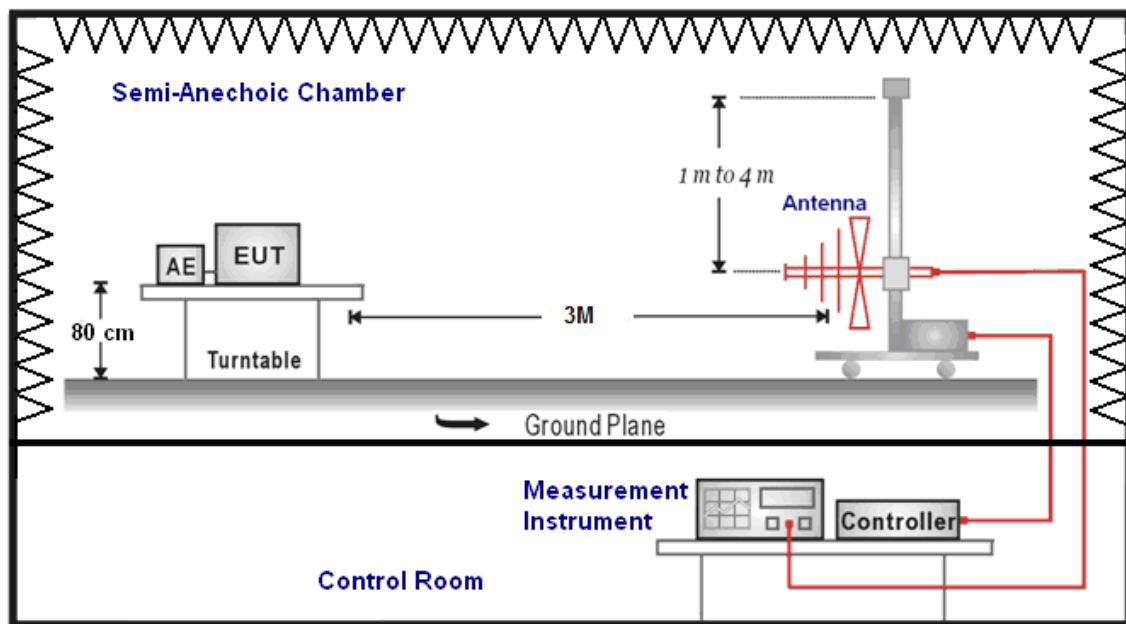
Note: N.C.R. = No Calibration Request.

■ Setup

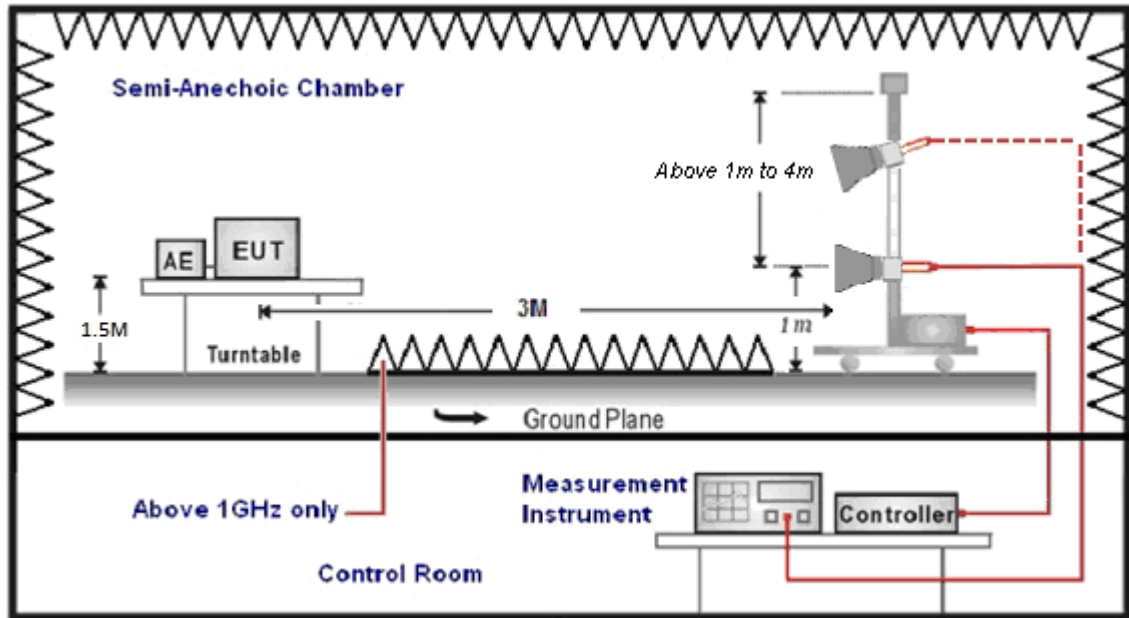
9kHz ~ 30MHz



Below 1GHz



Above 1GHz



■ Test Procedure

Final radiation measurements were made on a three-meter, Semi Anechoic Chamber. The EUT system was placed on a nonconductive turntable which is 0.8 or 1.5 meters height (below 1GHz use 0.8m turntable / above 1GHz use 1.5m turntable), top surface 1.0 x 1.5 meter. The spectrum was examined from 250 MHz to 2.5 GHz in order to cover the whole spectrum below 10th harmonic which could generate from the EUT. During the test, EUT was set to transmit continuously & Measurements spectrum range from 9 kHz to 26.5 GHz is investigated.

For measurements below 1 GHz the resolution bandwidth is set to 100 kHz for peak detection measurements or 120 kHz for quasi-peak detection measurements. Peak detection is used unless otherwise noted as quasi-peak.

For measurements above 1 GHz the resolution bandwidth is set to 1 MHz, and then the video bandwidth is set to 1 MHz for peak measurements and 10 Hz for average measurements.

A nonconductive material surrounded the EUT to supporting the EUT for standing on three orthogonal planes. At each condition, the EUT was rotated 360 degrees, and the antenna was raised and lowered from one to four meters to find the maximum emission levels. Measurements were taken using both horizontal and vertical antenna polarization.

SCHWARZBECK MESS-ELEKTRONIK Biconilog Antenna at 3 Meter and the SCHWARZBECK Double Ridged Guide Antenna was used in frequencies 1 – 26.5 GHz at a distance of 1 meter. All test results were extrapolated to equivalent signal at 3 meters utilizing an inverse linear distance extrapolation Factor (20dB/decade).

For testing above 1GHz, the emission level of the EUT in peak mode was 20dB lower than average limit (that means the emission level in peak mode also complies with the limit in average mode), then testing will be stopped and peak values of EUT will be reported, otherwise, the emissions will be measured in average mode again and reported.

Appropriate preamplifiers were used for improving sensitivity and precautions were taken to avoid overloading or desensitizing the spectrum analyzer. No post – detector video filters were used in the test.

The spectrum analyzer's 6 dB bandwidth was set to 1 MHz, and the analyzer was operated in the peak detection mode, for frequencies both below and up 1 GHz. The average levels were obtained by subtracting the duty cycle correction factor from the peak readings.

The following procedures were used to convert the emission levels measured in decibels referenced to 1 microvolt (dBuV) into field intensity in micro volts per meter (uV/m).

The actual field intensity in decibels referenced to 1 microvolt in to field intensity in micro volts per meter (dBuV/m).

The actual field intensity in decibels referenced to 1 microvolt per meter (dBuV/m) is determined by algebraically adding the measured reading in dBuV, the antenna factor (dB), and cable loss (dB) and Subtracting the gain of preamplifier (dB) is auto calculate in spectrum analyzer.

$$(1) \text{ Amplitude (dBuV/m) = FI (dBuV) + AF (dBuV) + CL (dBuV) - Gain (dB)}$$

FI= Reading of the field intensity.

AF= Antenna factor.

CL= Cable loss.

P.S Amplitude is auto calculate in spectrum analyzer.

$$(2) \text{ Actual Amplitude (dBuV/m) = Amplitude (dBuV) - Dis(dB)}$$

The FCC specified emission limits were calculated according the EUT operating frequency and by following linear interpolation equations:

(a) For fundamental frequency : Transmitter Output < +30dBm

(b) For spurious frequency : Spurious emission limits = fundamental emission limit /10

Data of measurement within this frequency range without mark in the table above means the reading of emissions are attenuated more than 20dB below the permissible limits or the field strength is too small to be measured.



■ Test Result

Below 1GHz

Standard:		FCC Part 15.247		Test Distance:		3m	
Test item:		Harmonic		Power:		AC 120V/60Hz	
Test Mode:		Mode 1		Temp.(°C)/Hum.(%RH):		26(°C)/60%RH	
				Date:		08/06/2017	
Frequency (MHz)	Reading (dBuV)	Correct Factor (dB/m)	Result (dBuV/m)	Limit (dBuV/m)	Margin (dB)	Remark	Ant.Polar. H / V
500.4500	35.09	0.58	35.67	46.00	-10.33	QP	H
551.8600	34.73	1.71	36.44	46.00	-9.56	QP	H
666.3200	32.85	3.80	36.65	46.00	-9.35	QP	H
735.1900	31.11	5.22	36.33	46.00	-9.67	QP	H
792.4200	32.22	6.19	38.41	46.00	-7.59	QP	H
949.5600	30.05	9.19	39.24	46.00	-6.76	QP	H
500.4500	34.80	0.58	35.38	46.00	-10.62	QP	V
666.3200	31.59	3.80	35.39	46.00	-10.61	QP	V
747.8000	30.77	5.51	36.28	46.00	-9.72	QP	V
792.4200	35.05	6.19	41.24	46.00	-4.76	QP	V
864.2000	35.30	7.65	42.95	46.00	-3.05	QP	V
900.0900	32.05	8.39	40.44	46.00	-5.56	QP	V

Note:1.Result (dBuV/m) = Correct Factor (dB/m) + Reading(dBuV).

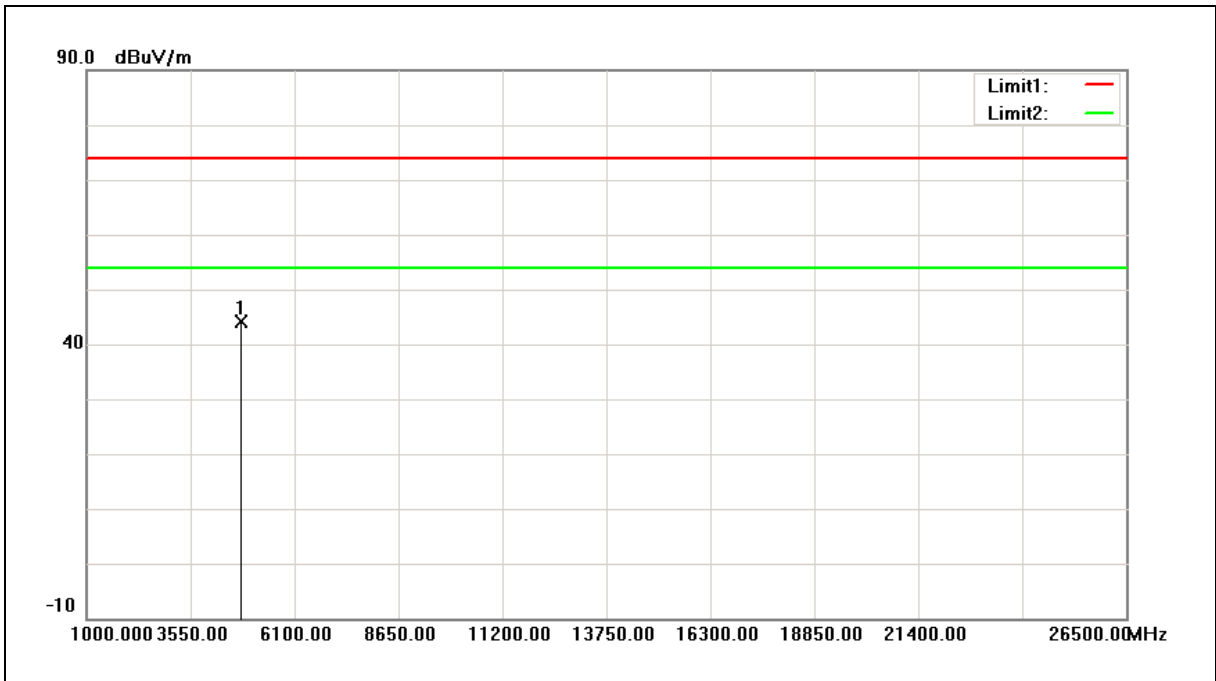
2.Correction factor (dB/m) = Antenna Factor (dB/m) + Cable loss (dB) – Pre-Amplifier gain (dB).

3.No emission found between lowest internal used/generated frequencies to 30MHz (9 kHz~30MHz).



Above 1GHz

Standard:	FCC Part 15.247	Test Distance:	3m
Test item:	Harmonic	Power:	AC 120V/60Hz
Frequency:	2402MHz	Temp.(°C)/Hum.(%RH):	26(°C)/60%RH
Mode:	Mode 2	Date:	08/06/2017
Ant.Polar.:	Horizontal		

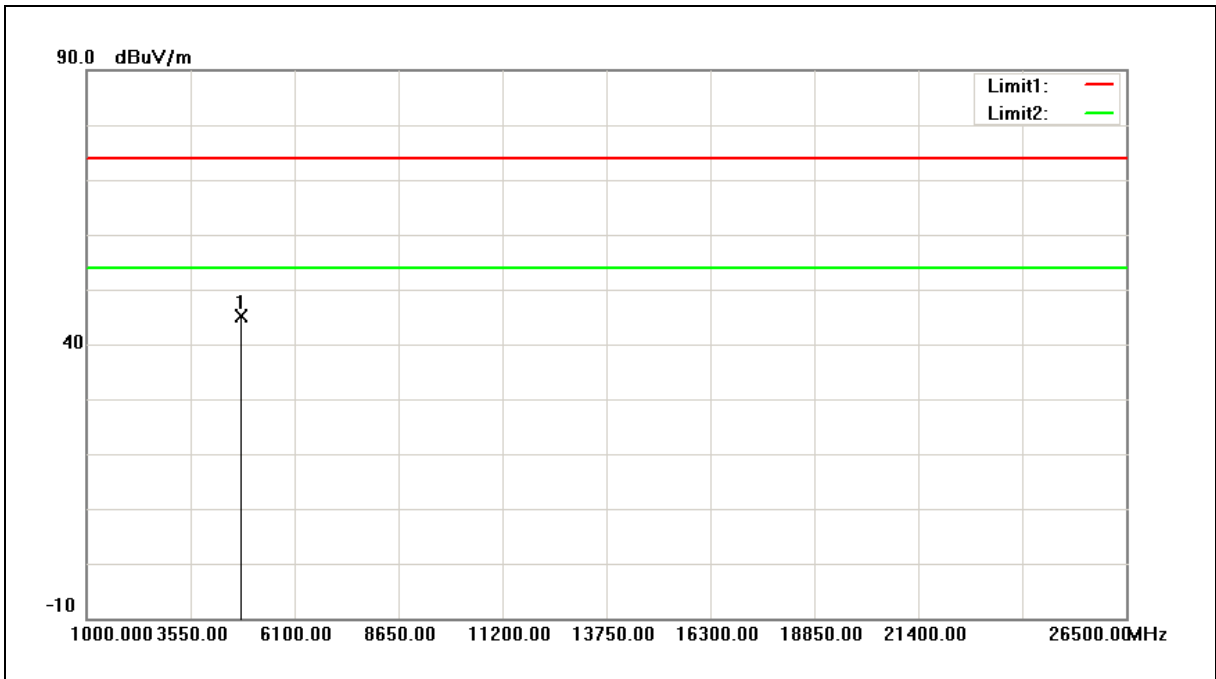


No.	Frequency (MHz)	Reading (dBuV)	Correct Factor (dB/m)	Result (dBuV/m)	Limit (dBuV/m)	Margin (dB)	Remark
1	4804.000	50.52	-6.40	44.12	74.00	-29.88	peak

- Note: 1. Result (dBuV/m) = Correct Factor (dB/m) + Reading(dBuV).
 2. Correction factor (dB/m) = Antenna Factor (dB/m) + Cable loss (dB) – Pre-Amplifier gain (dB).
 3. When the peak results are less than average limit, so not need to evaluate the average.



Standard:	FCC Part 15.247	Test Distance:	3m
Test item:	Harmonic	Power:	AC 120V/60Hz
Frequency:	2402MHz	Temp.(°C)/Hum.(%RH):	26(°C)/60%RH
Mode:	Mode 2	Date:	08/06/2017
Ant.Polar.:	Vertical		



No.	Frequency (MHz)	Reading (dBuV)	Correct Factor (dB/m)	Result (dBuV/m)	Limit (dBuV/m)	Margin (dB)	Remark
1	4804.000	51.41	-6.40	45.01	74.00	-28.99	peak

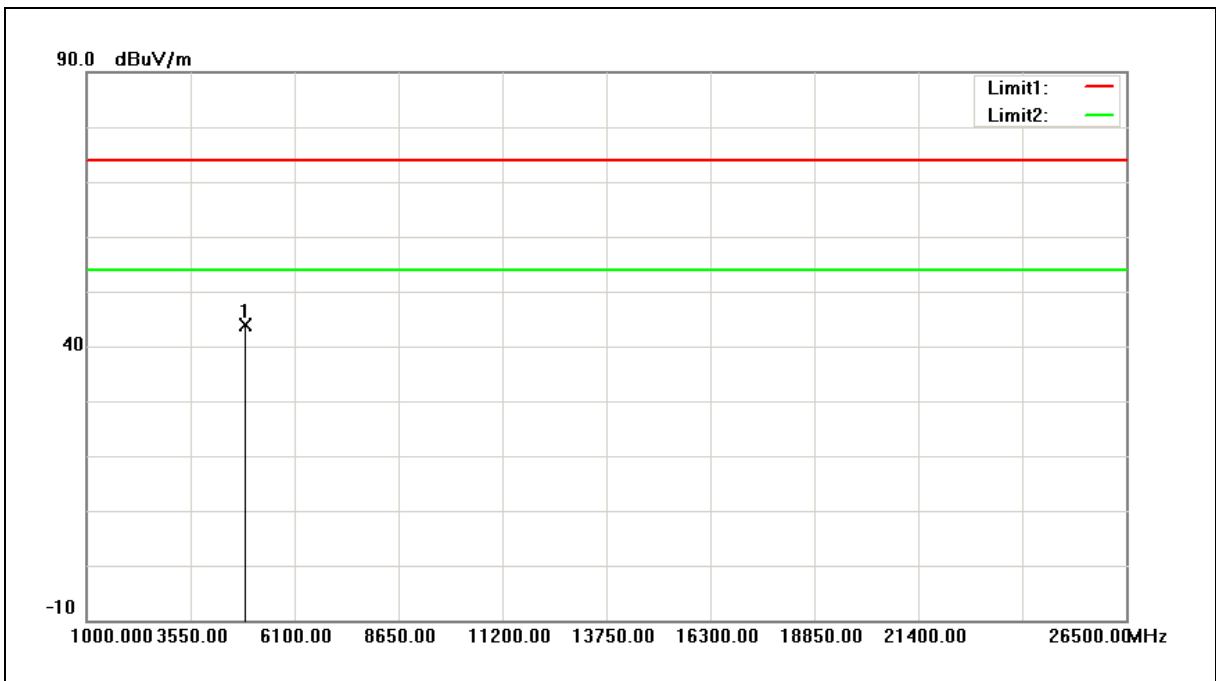
Note:1.Result (dBuV/m) = Correct Factor (dB/m) + Reading(dBuV).

2.Correction factor (dB/m) = Antenna Factor (dB/m) + Cable loss (dB) – Pre-Amplifier gain (dB).

3. When the peak results are less than average limit, so not need to evaluate the average.



Standard:	FCC Part 15.247	Test Distance:	3m
Test item:	Harmonic	Power:	AC 120V/60Hz
Frequency:	2441MHz	Temp.(°C)/Hum.(%RH):	26(°C)/60%RH
Mode:	Mode 2	Date:	08/06/2017
Ant.Polar.:	Horizontal		



No.	Frequency (MHz)	Reading (dBuV)	Correct Factor (dB/m)	Result (dBuV/m)	Limit (dBuV/m)	Margin (dB)	Remark
1	4882.000	50.05	-6.12	43.93	74.00	-30.07	peak

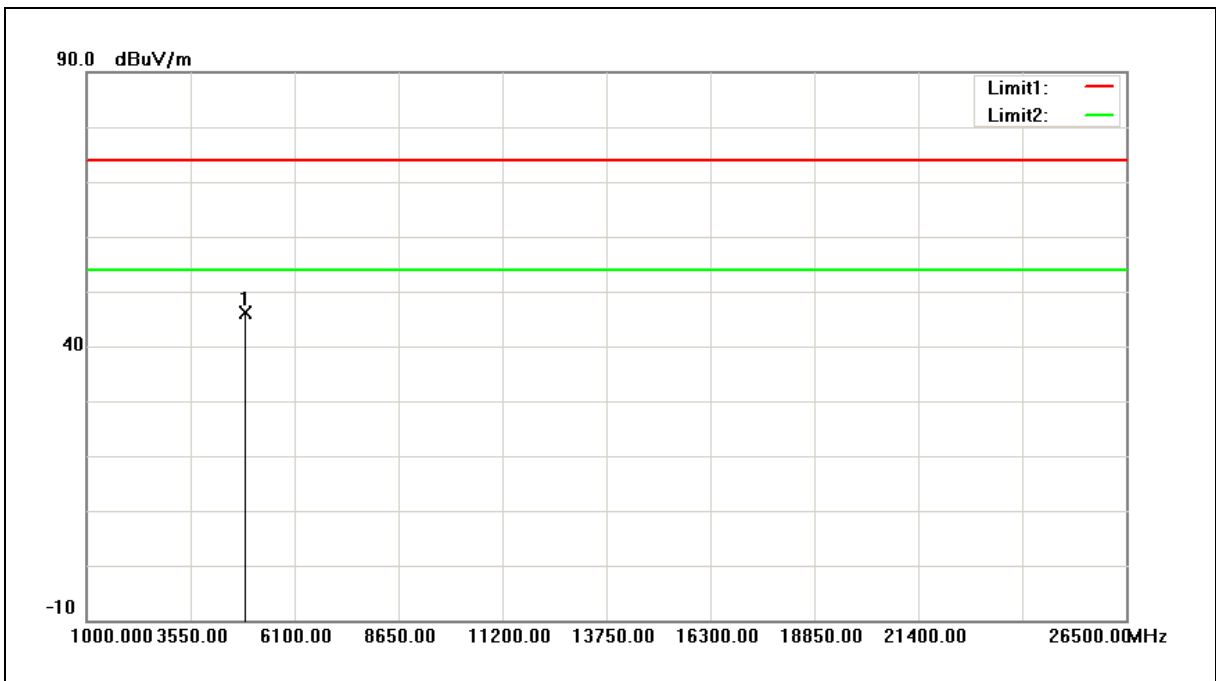
Note:1.Result (dBuV/m) = Correct Factor (dB/m) + Reading(dBuV).

2.Correction factor (dB/m) = Antenna Factor (dB/m) + Cable loss (dB) – Pre-Amplifier gain (dB).

3. When the peak results are less than average limit, so not need to evaluate the average.



Standard:	FCC Part 15.247	Test Distance:	3m
Test item:	Harmonic	Power:	AC 120V/60Hz
Frequency:	2441MHz	Temp.(°C)/Hum.(%RH):	26(°C)/60%RH
Mode:	Mode 2	Date:	08/06/2017
Ant.Polar.:	Vertical		



No.	Frequency (MHz)	Reading (dBuV)	Correct Factor (dB/m)	Result (dBuV/m)	Limit (dBuV/m)	Margin (dB)	Remark
1	4882.000	52.32	-6.12	46.20	74.00	-27.80	peak

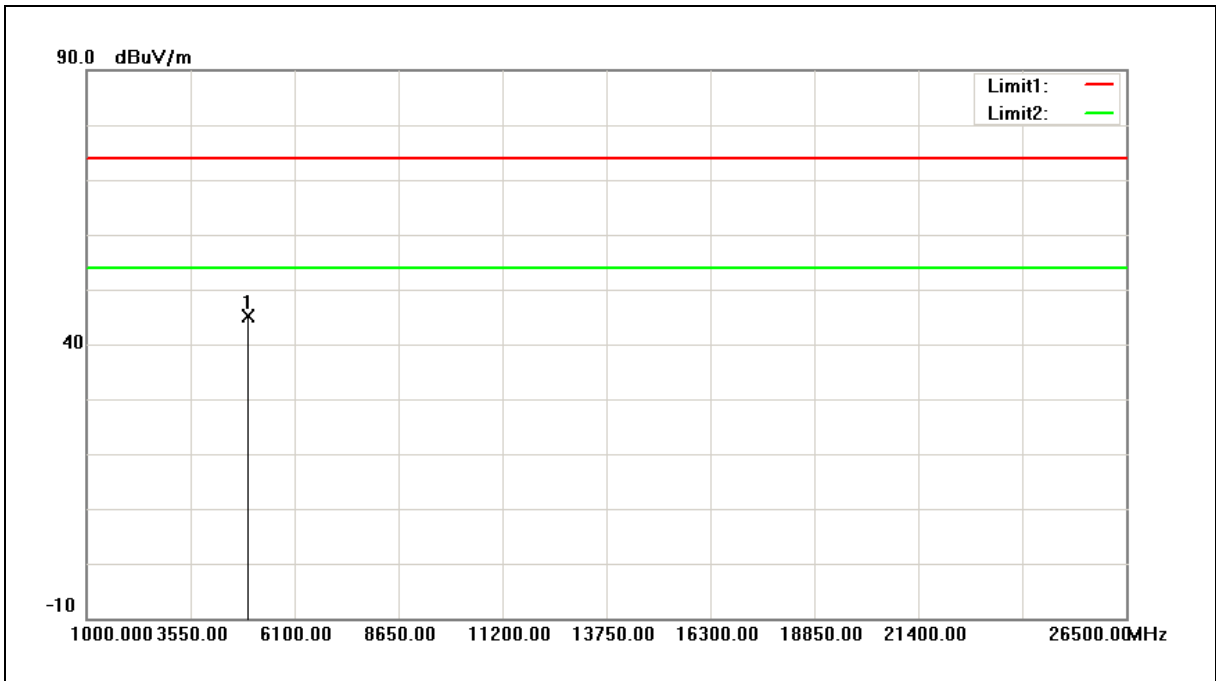
Note:1.Result (dBuV/m) = Correct Factor (dB/m) + Reading(dBuV).

2.Correction factor (dB/m) = Antenna Factor (dB/m) + Cable loss (dB) – Pre-Amplifier gain (dB).

3. When the peak results are less than average limit, so not need to evaluate the average.



Standard:	FCC Part 15.247	Test Distance:	3m
Test item:	Harmonic	Power:	AC 120V/60Hz
Frequency:	2480MHz	Temp.(°C)/Hum.(%RH):	26(°C)/60%RH
Mode:	Mode 2	Date:	08/06/2017
Ant.Polar.:	Horizontal		



No.	Frequency (MHz)	Reading (dBuV)	Correct Factor (dB/m)	Result (dBuV/m)	Limit (dBuV/m)	Margin (dB)	Remark
1	4960.000	50.89	-5.86	45.03	74.00	-28.97	peak

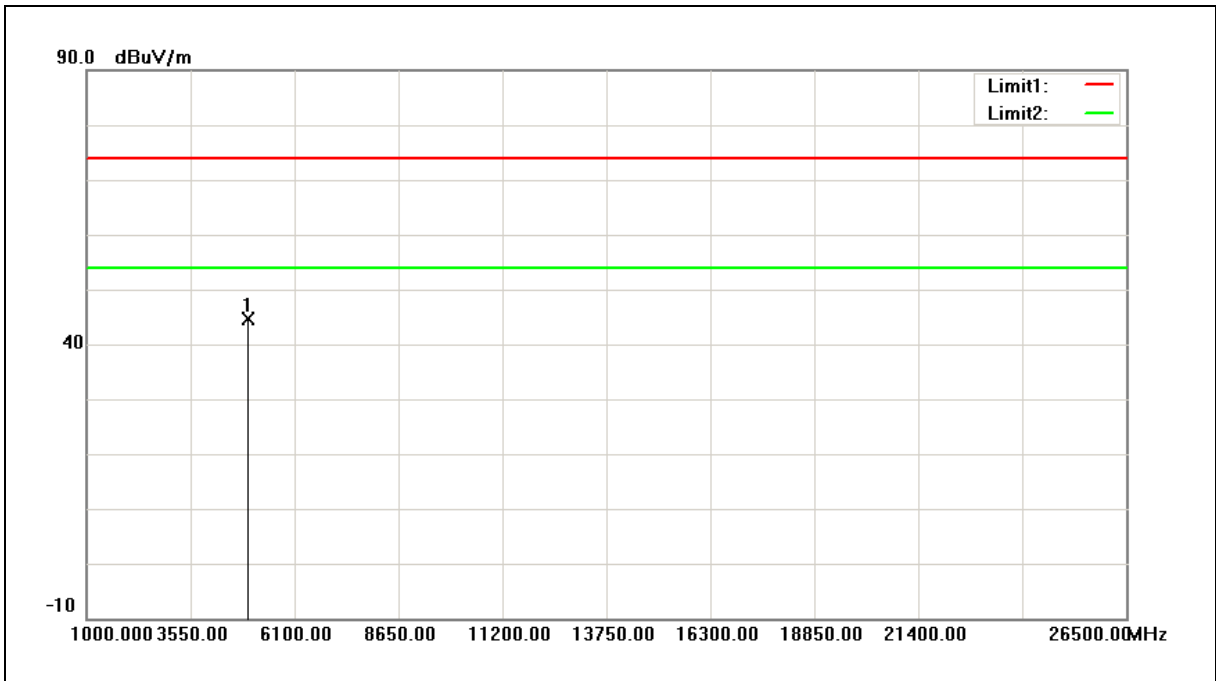
Note:1.Result (dBuV/m) = Correct Factor (dB/m) + Reading(dBuV).

2.Correction factor (dB/m) = Antenna Factor (dB/m) + Cable loss (dB) – Pre-Amplifier gain (dB).

3. When the peak results are less than average limit, so not need to evaluate the average.



Standard:	FCC Part 15.247	Test Distance:	3m
Test item:	Harmonic	Power:	AC 120V/60Hz
Frequency:	2480MHz	Temp.(°C)/Hum.(%RH):	26(°C)/60%RH
Mode:	Mode 2	Date:	08/06/2017
Ant.Polar.:	Vertical		



No.	Frequency (MHz)	Reading (dBuV)	Correct Factor (dB/m)	Result (dBuV/m)	Limit (dBuV/m)	Margin (dB)	Remark
1	4960.000	50.44	-5.86	44.58	74.00	-29.42	peak

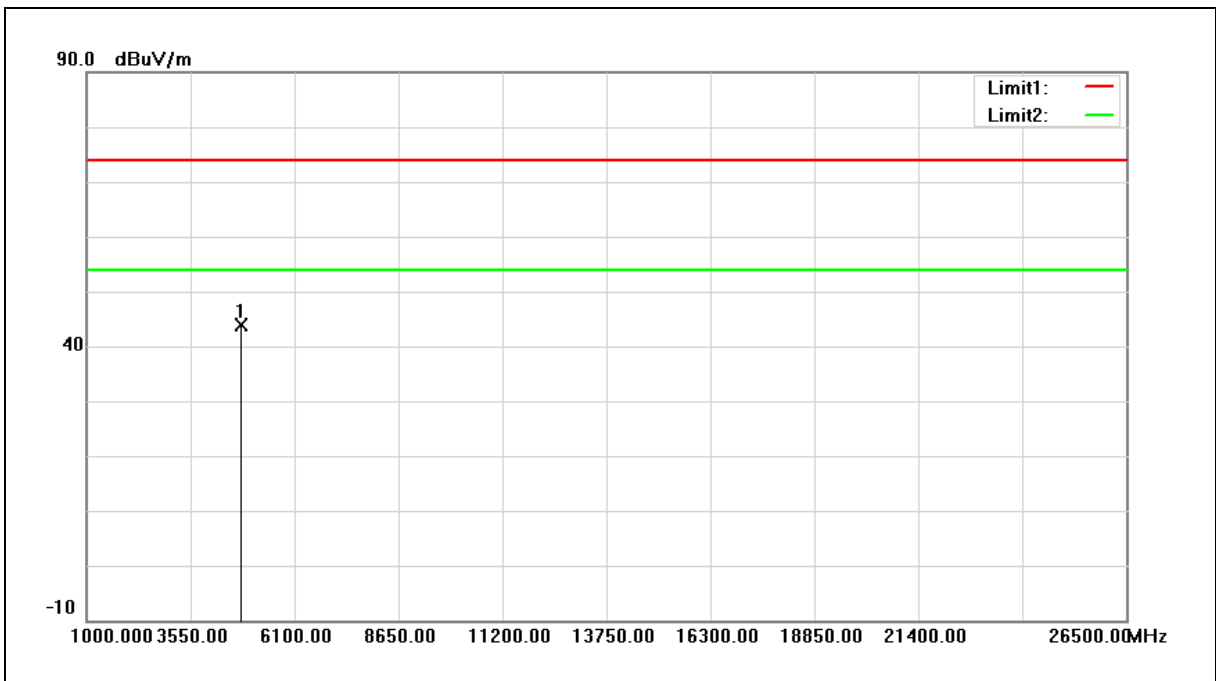
Note:1.Result (dBuV/m) = Correct Factor (dB/m) + Reading(dBuV).

2.Correction factor (dB/m) = Antenna Factor (dB/m) + Cable loss (dB) – Pre-Amplifier gain (dB).

3. When the peak results are less than average limit, so not need to evaluate the average.



Standard:	FCC Part 15.247	Test Distance:	3m
Test item:	Harmonic	Power:	AC 120V/60Hz
Frequency:	2402MHz	Temp.(°C)/Hum.(%RH):	26(°C)/60%RH
Mode:	Mode 4	Date:	08/06/2017
Ant.Polar.:	Horizontal		



No.	Frequency (MHz)	Reading (dBuV)	Correct Factor (dB/m)	Result (dBuV/m)	Limit (dBuV/m)	Margin (dB)	Remark
1	4804.000	50.35	-6.40	43.95	74.00	-30.05	peak

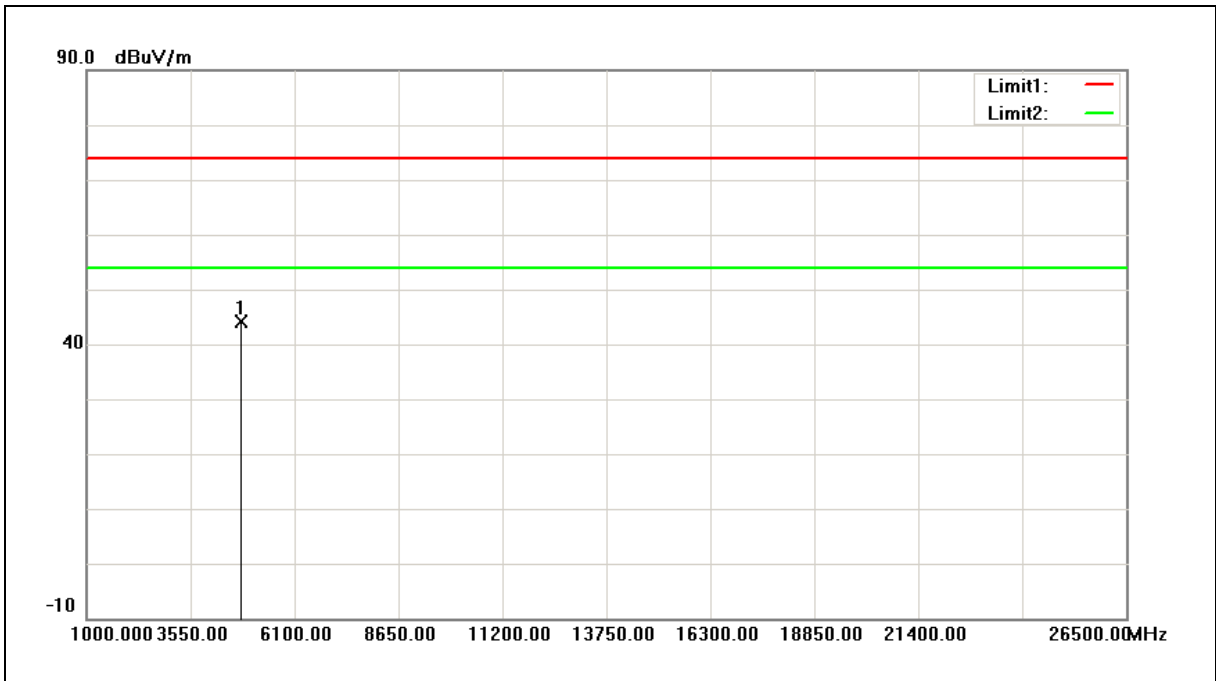
Note:1.Result (dBuV/m) = Correct Factor (dB/m) + Reading(dBuV).

2.Correction factor (dB/m) = Antenna Factor (dB/m) + Cable loss (dB) – Pre-Amplifier gain (dB).

3. When the peak results are less than average limit, so not need to evaluate the average.



Standard:	FCC Part 15.247	Test Distance:	3m
Test item:	Harmonic	Power:	AC 120V/60Hz
Frequency:	2402MHz	Temp.(°C)/Hum.(%RH):	26(°C)/60%RH
Mode:	Mode 4	Date:	08/06/2017
Ant.Polar.:	Vertical		



No.	Frequency (MHz)	Reading (dBuV)	Correct Factor (dB/m)	Result (dBuV/m)	Limit (dBuV/m)	Margin (dB)	Remark
1	4804.000	50.43	-6.40	44.03	74.00	-29.97	peak

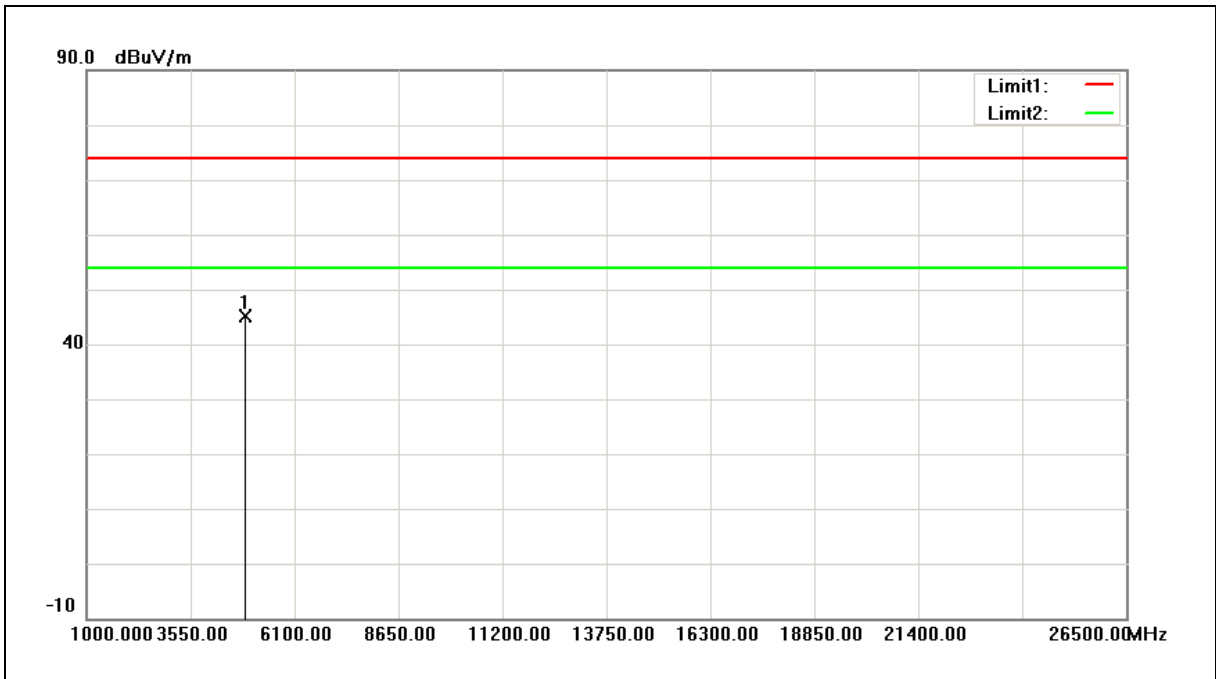
Note:1.Result (dBuV/m) = Correct Factor (dB/m) + Reading(dBuV).

2.Correction factor (dB/m) = Antenna Factor (dB/m) + Cable loss (dB) – Pre-Amplifier gain (dB).

3. When the peak results are less than average limit, so not need to evaluate the average.



Standard:	FCC Part 15.247	Test Distance:	3m
Test item:	Harmonic	Power:	AC 120V/60Hz
Frequency:	2441MHz	Temp.(°C)/Hum.(%RH):	26(°C)/60%RH
Mode:	Mode 4	Date:	08/06/2017
Ant.Polar.:	Horizontal		



No.	Frequency (MHz)	Reading (dBuV)	Correct Factor (dB/m)	Result (dBuV/m)	Limit (dBuV/m)	Margin (dB)	Remark
1	4882.000	51.25	-6.12	45.13	74.00	-28.87	peak

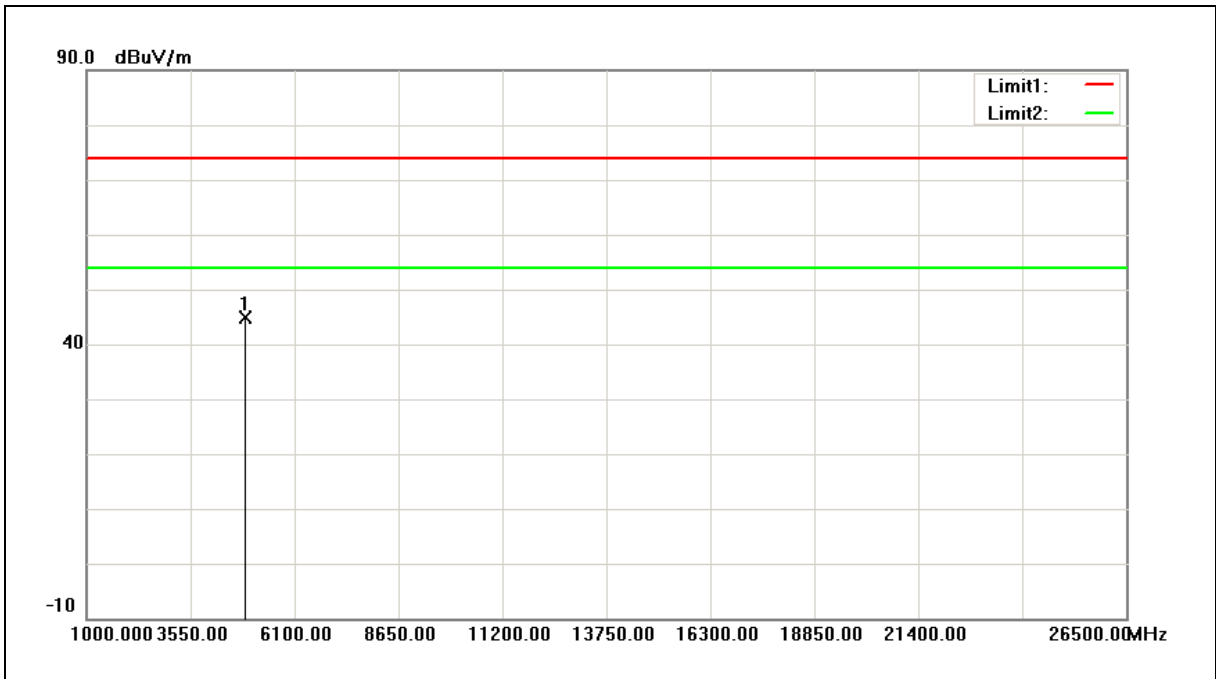
Note:1.Result (dBuV/m) = Correct Factor (dB/m) + Reading(dBuV).

2.Correction factor (dB/m) = Antenna Factor (dB/m) + Cable loss (dB) – Pre-Amplifier gain (dB).

3. When the peak results are less than average limit, so not need to evaluate the average.



Standard:	FCC Part 15.247	Test Distance:	3m
Test item:	Harmonic	Power:	AC 120V/60Hz
Frequency:	2441MHz	Temp.(°C)/Hum.(%RH):	26(°C)/60%RH
Mode:	Mode 4	Date:	08/06/2017
Ant.Polar.:	Vertical		



No.	Frequency (MHz)	Reading (dBuV)	Correct Factor (dB/m)	Result (dBuV/m)	Limit (dBuV/m)	Margin (dB)	Remark
1	4882.000	50.89	-6.12	44.77	74.00	-29.23	peak

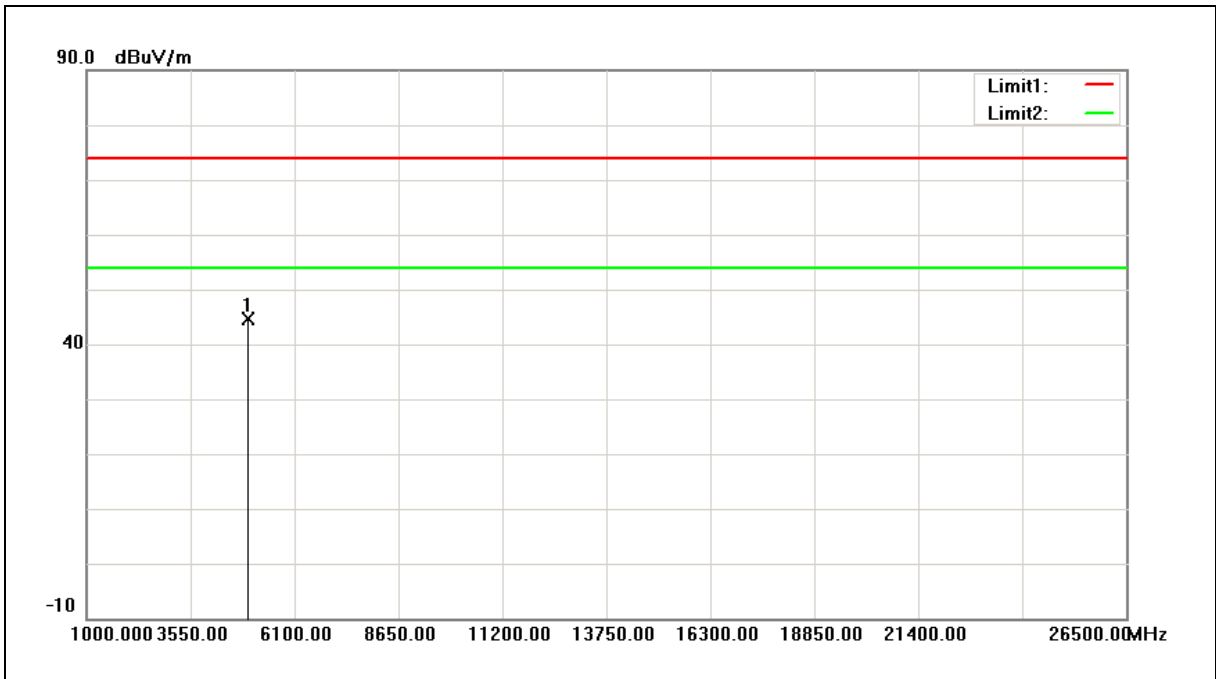
Note:1.Result (dBuV/m) = Correct Factor (dB/m) + Reading(dBuV).

2.Correction factor (dB/m) = Antenna Factor (dB/m) + Cable loss (dB) – Pre-Amplifier gain (dB).

3. When the peak results are less than average limit, so not need to evaluate the average.



Standard:	FCC Part 15.247	Test Distance:	3m
Test item:	Harmonic	Power:	AC 120V/60Hz
Frequency:	2480MHz	Temp.(°C)/Hum.(%RH):	26(°C)/60%RH
Mode:	Mode 4	Date:	08/06/2017
Ant.Polar.:	Horizontal		



No.	Frequency (MHz)	Reading (dBuV)	Correct Factor (dB/m)	Result (dBuV/m)	Limit (dBuV/m)	Margin (dB)	Remark
1	4960.000	50.53	-5.86	44.67	74.00	-29.33	peak

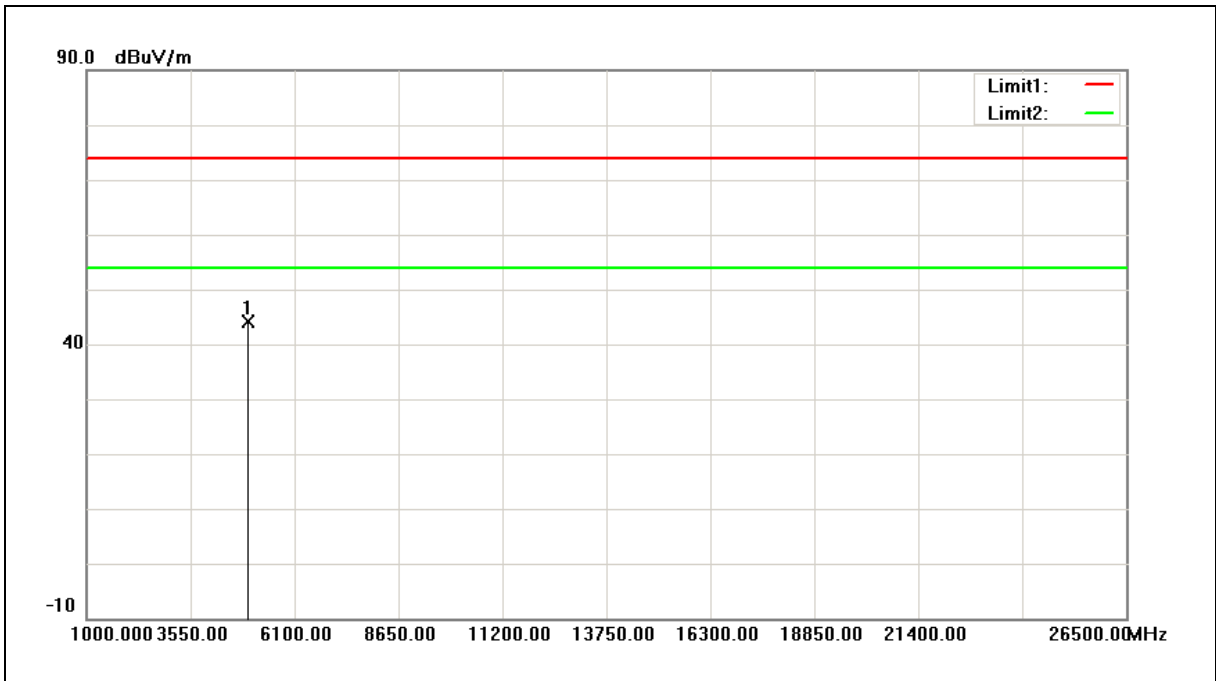
Note:1.Result (dBuV/m) = Correct Factor (dB/m) + Reading(dBuV).

2.Correction factor (dB/m) = Antenna Factor (dB/m) + Cable loss (dB) – Pre-Amplifier gain (dB).

3. When the peak results are less than average limit, so not need to evaluate the average.



Standard:	FCC Part 15.247	Test Distance:	3m
Test item:	Harmonic	Power:	AC 120V/60Hz
Frequency:	2480MHz	Temp.(°C)/Hum.(%RH):	26(°C)/60%RH
Mode:	Mode 4	Date:	08/06/2017
Ant.Polar.:	Vertical		



No.	Frequency (MHz)	Reading (dBuV)	Correct Factor (dB/m)	Result (dBuV/m)	Limit (dBuV/m)	Margin (dB)	Remark
1	4960.000	50.05	-5.86	44.19	74.00	-29.81	peak

Note:1.Result (dBuV/m) = Correct Factor (dB/m) + Reading(dBuV).

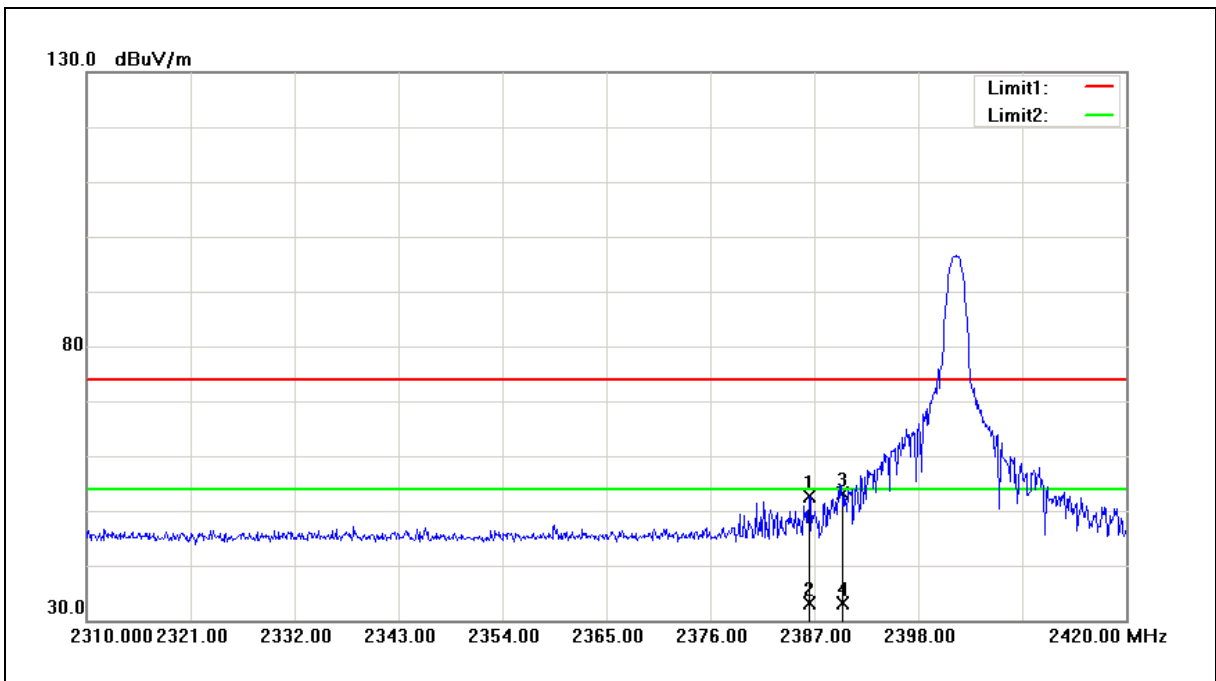
2.Correction factor (dB/m) = Antenna Factor (dB/m) + Cable loss (dB) – Pre-Amplifier gain (dB).

3. When the peak results are less than average limit, so not need to evaluate the average.



Band Edge

Standard:	FCC Part 15.247	Test Distance:	3m
Test item:	Band edge	Power:	AC 120V/60Hz
Frequency:	2402MHz	Temp.(°C)/Hum.(%RH):	26(°C)/60%RH
Mode:	Mode 2	Date:	08/06/2017
Ant.Polar.:	Horizontal		

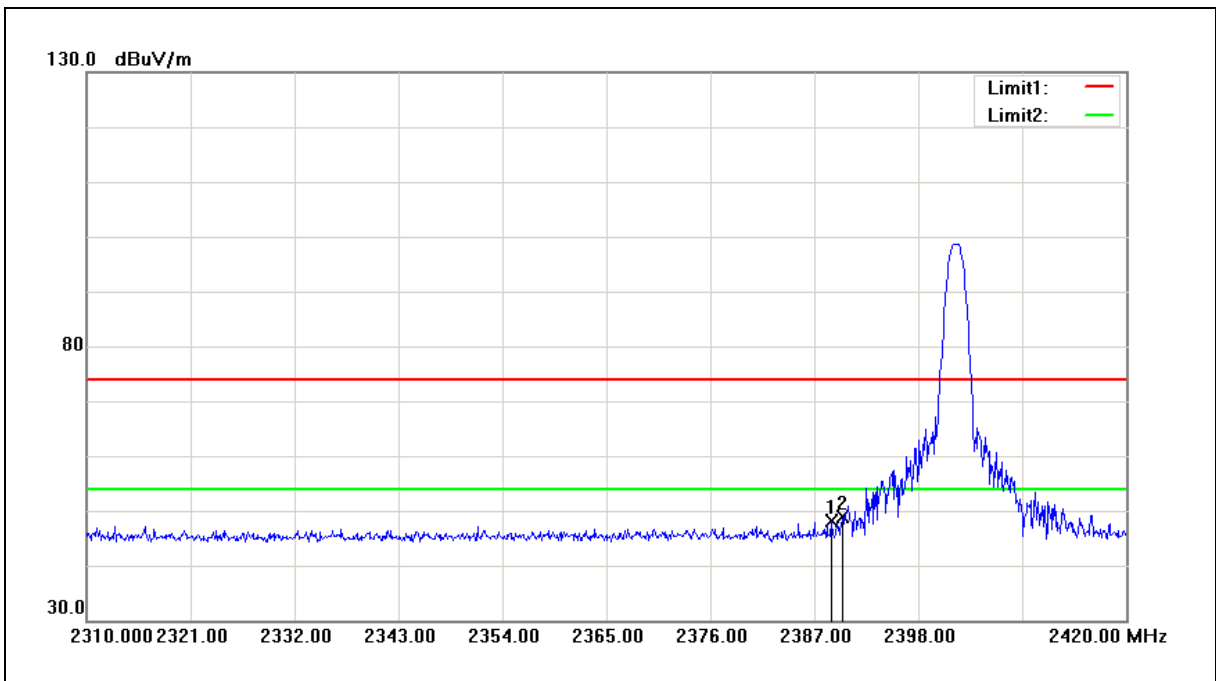


No.	Frequency (MHz)	Reading (dBuV)	Correct Factor (dB/m)	Result (dBuV/m)	Limit (dBuV/m)	Margin (dB)	Remark
1	2386.450	52.39	0.14	52.53	74.00	-21.47	peak
2	2386.450	32.95	0.14	33.09	54.00	-20.91	AVG
3	2390.000	52.93	0.15	53.08	74.00	-20.92	peak
4	2390.000	33.00	0.15	33.15	54.00	-20.85	AVG

- Note:1.Result (dBuV/m) = Correct Factor (dB/m) + Reading(dBuV).
- 2.Correction factor (dB/m) = Antenna Factor (dB/m) + Cable loss (dB) – Pre-Amplifier gain (dB).
3. When the peak results are less than average limit, so not need to evaluate the average.



Standard:	FCC Part 15.247	Test Distance:	3m
Test item:	Band edge	Power:	AC 120V/60Hz
Frequency:	2402MHz	Temp.(°C)/Hum.(%RH):	26(°C)/60%RH
Mode:	Mode 2	Date:	08/06/2017
Ant.Polar.:	Vertical		



No.	Frequency (MHz)	Reading (dBuV)	Correct Factor (dB/m)	Result (dBuV/m)	Limit (dBuV/m)	Margin (dB)	Remark
1	2388.760	47.87	0.15	48.02	74.00	-25.98	peak
2	2390.000	48.74	0.15	48.89	74.00	-25.11	peak

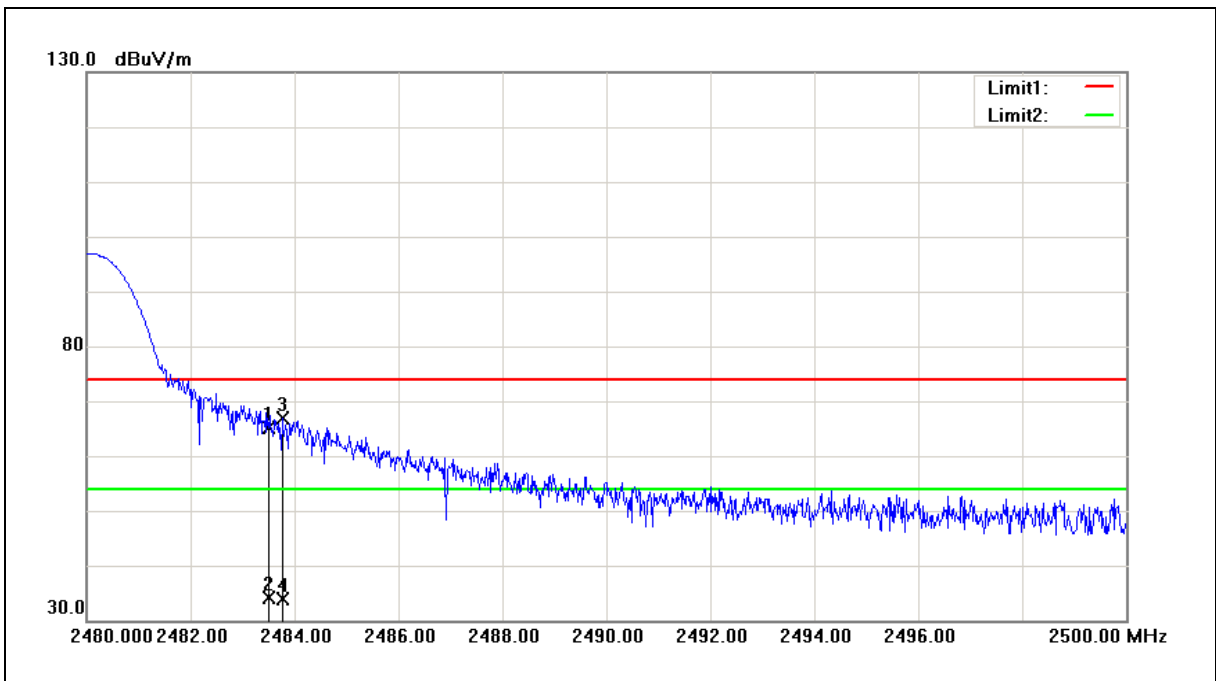
Note:1.Result (dBuV/m) = Correct Factor (dB/m) + Reading(dBuV).

2.Correction factor (dB/m) = Antenna Factor (dB/m) + Cable loss (dB) – Pre-Amplifier gain (dB).

3. When the peak results are less than average limit, so not need to evaluate the average.



Standard:	FCC Part 15.247	Test Distance:	3m
Test item:	Band edge	Power:	AC 120V/60Hz
Frequency:	2480MHz	Temp.(°C)/Hum.(%RH):	26(°C)/60%RH
Mode:	Mode 2	Date:	08/06/2017
Ant.Polar.:	Horizontal		



No.	Frequency (MHz)	Reading (dBuV)	Correct Factor (dB/m)	Result (dBuV/m)	Limit (dBuV/m)	Margin (dB)	Remark
1	2483.500	64.58	0.55	65.13	74.00	-8.87	peak
2	2483.500	33.54	0.55	34.09	54.00	-19.91	AVG
3	2483.760	66.37	0.55	66.92	74.00	-7.08	peak
4	2483.760	33.42	0.55	33.97	54.00	-20.03	AVG

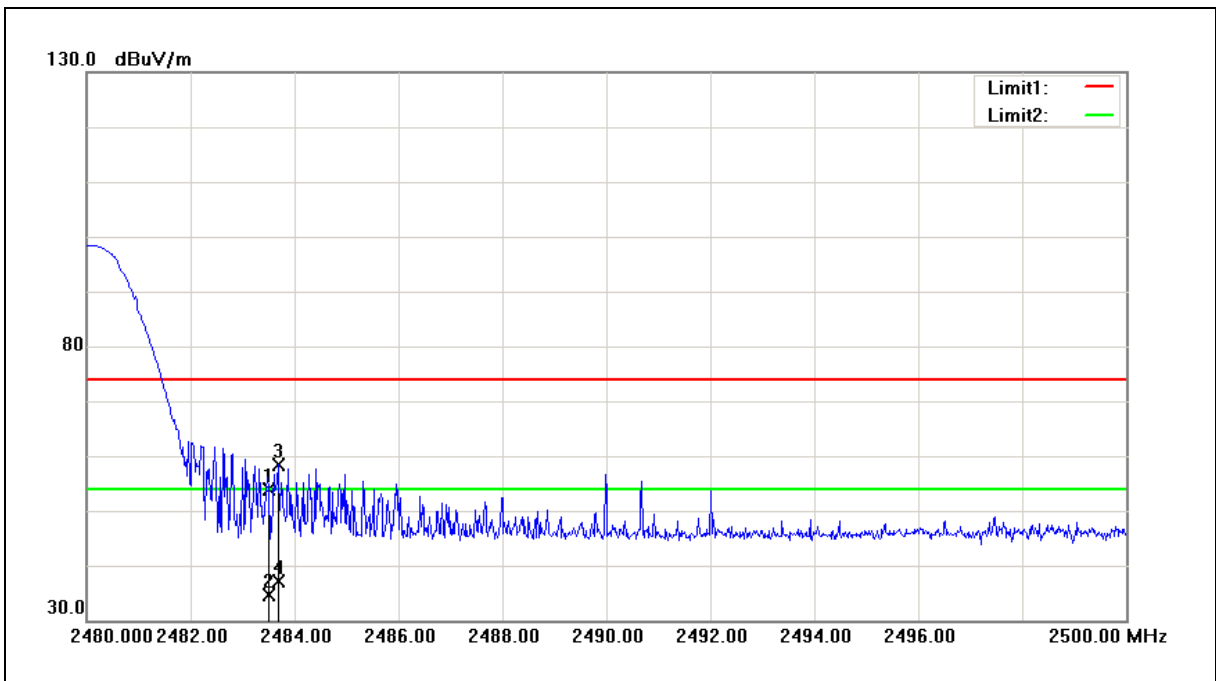
Note:1.Result (dBuV/m) = Correct Factor (dB/m) + Reading(dBuV).

2.Correction factor (dB/m) = Antenna Factor (dB/m) + Cable loss (dB) – Pre-Amplifier gain (dB).

3. When the peak results are less than average limit, so not need to evaluate the average.



Standard:	FCC Part 15.247	Test Distance:	3m
Test item:	Band edge	Power:	AC 120V/60Hz
Frequency:	2480MHz	Temp.(°C)/Hum.(%RH):	26(°C)/60%RH
Mode:	Mode 2	Date:	08/06/2017
Ant.Polar.:	Vertical		



No.	Frequency (MHz)	Reading (dBuV)	Correct Factor (dB/m)	Result (dBuV/m)	Limit (dBuV/m)	Margin (dB)	Remark
1	2483.500	53.30	0.55	53.85	74.00	-20.15	peak
2	2483.500	34.06	0.55	34.61	54.00	-19.39	AVG
3	2483.680	57.93	0.55	58.48	74.00	-15.52	peak
4	2483.680	36.55	0.55	37.10	54.00	-16.90	AVG

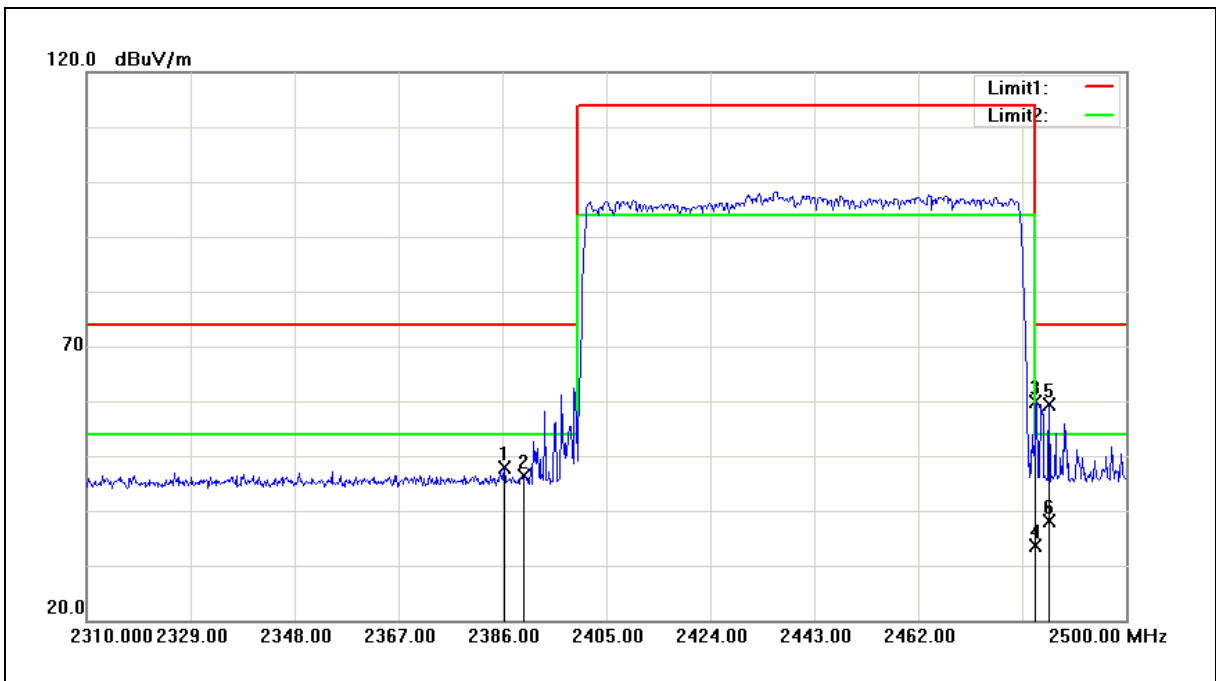
Note:1.Result (dBuV/m) = Correct Factor (dB/m) + Reading(dBuV).

2.Correction factor (dB/m) = Antenna Factor (dB/m) + Cable loss (dB) – Pre-Amplifier gain (dB).

3. When the peak results are less than average limit, so not need to evaluate the average.



Standard:	FCC Part 15.247	Test Distance:	3m
Test item:	Band edge	Power:	AC 120V/60Hz
Frequency:	Hopping	Temp.(°C)/Hum.(%RH):	26(°C)/60%RH
Mode:	Mode 2	Date:	08/06/2017
Ant.Polar.:	Horizontal		



No.	Frequency (MHz)	Reading (dBuV)	Correct Factor (dB/m)	Result (dBuV/m)	Limit (dBuV/m)	Margin (dB)	Remark
1	2386.380	47.84	0.14	47.98	74.00	-26.02	peak
2	2390.000	46.30	0.15	46.45	74.00	-27.55	peak
3	2483.500	59.37	0.55	59.92	74.00	-14.08	peak
4	2483.500	33.01	0.55	33.56	54.00	-20.44	AVG
5	2485.940	58.80	0.56	59.36	74.00	-14.64	peak
6	2485.940	37.60	0.56	38.16	54.00	-15.84	AVG

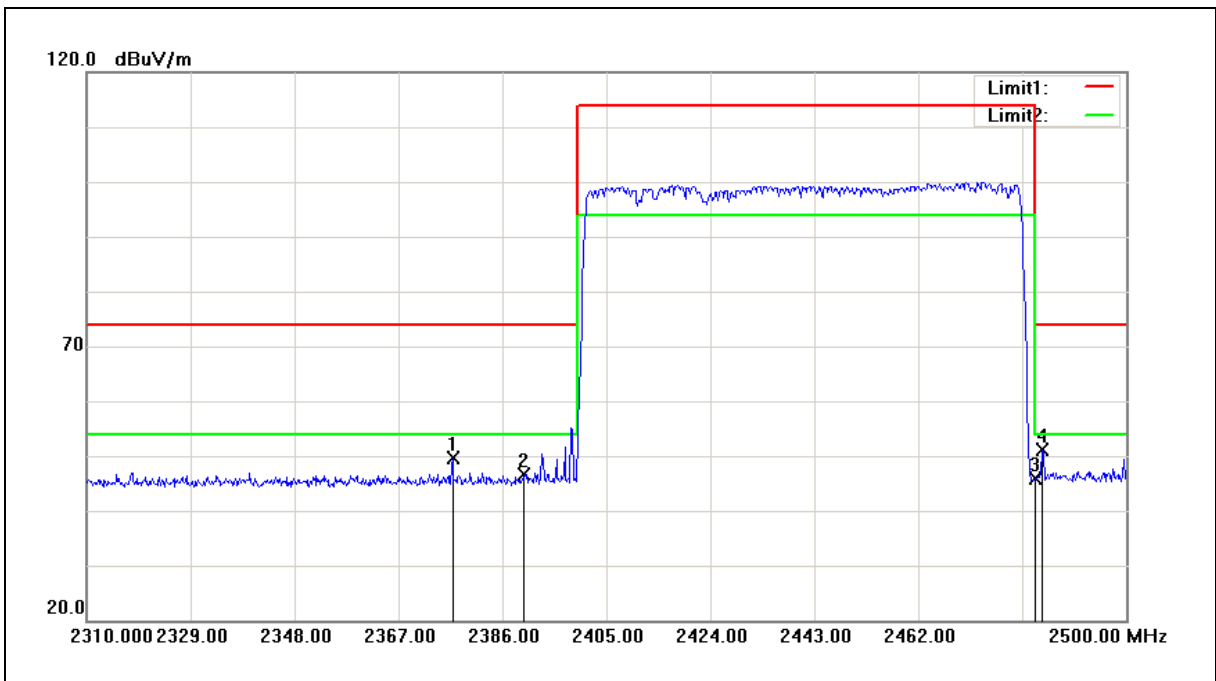
Note:1.Result (dBuV/m) = Correct Factor (dB/m) + Reading(dBuV).

2.Correction factor (dB/m) = Antenna Factor (dB/m) + Cable loss (dB) – Pre-Amplifier gain (dB).

3. When the peak results are less than average limit, so not need to evaluate the average.



Standard:	FCC Part 15.247	Test Distance:	3m
Test item:	Band edge	Power:	AC 120V/60Hz
Frequency:	Hopping	Temp.(°C)/Hum.(%RH):	26(°C)/60%RH
Mode:	Mode 2	Date:	08/06/2017
Ant.Polar.:	Vertical		



No.	Frequency (MHz)	Reading (dBuV)	Correct Factor (dB/m)	Result (dBuV/m)	Limit (dBuV/m)	Margin (dB)	Remark
1	2376.880	49.48	0.11	49.59	74.00	-24.41	peak
2	2390.000	46.44	0.15	46.59	74.00	-27.41	peak
3	2483.500	45.35	0.55	45.90	74.00	-28.10	peak
4	2484.610	50.48	0.56	51.04	74.00	-22.96	peak

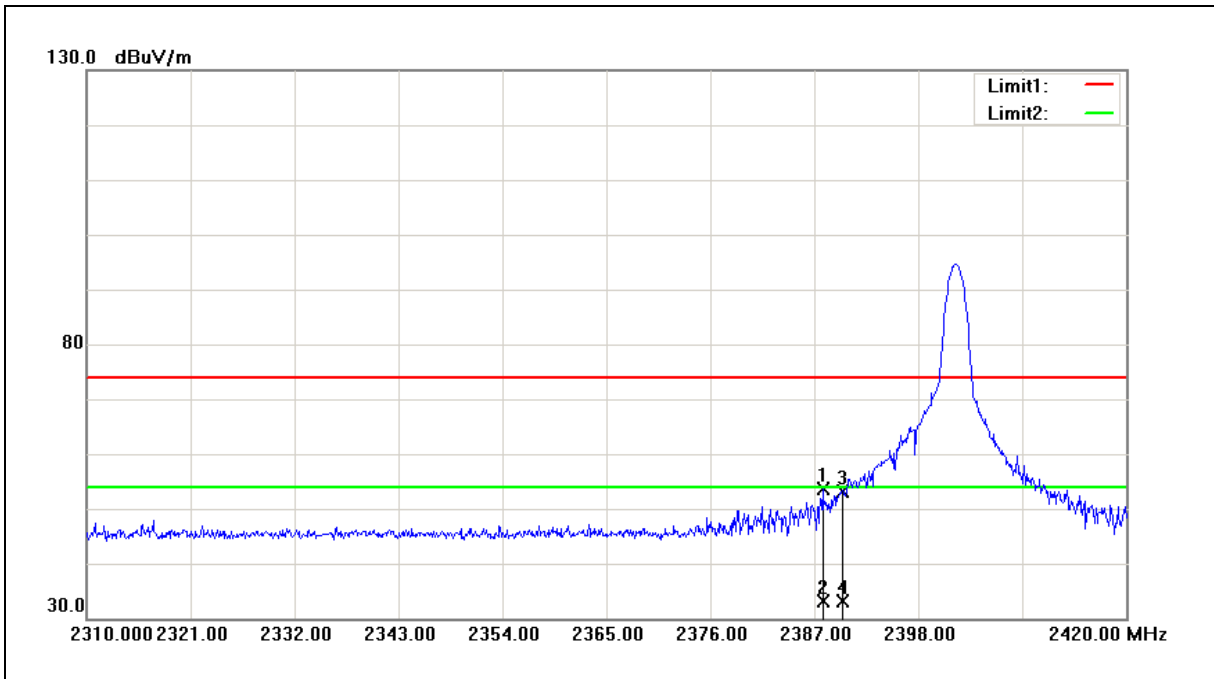
Note:1.Result (dBuV/m) = Correct Factor (dB/m) + Reading(dBuV).

2.Correction factor (dB/m) = Antenna Factor (dB/m) + Cable loss (dB) – Pre-Amplifier gain (dB).

3. When the peak results are less than average limit, so not need to evaluate the average.



Standard:	FCC Part 15.247	Test Distance:	3m
Test item:	Band edge	Power:	AC 120V/60Hz
Frequency:	2402MHz	Temp.(°C)/Hum.(%RH):	26(°C)/60%RH
Mode:	Mode 4	Date:	08/06/2017
Ant.Polar.:	Horizontal		



No.	Frequency (MHz)	Reading (dBuV)	Correct Factor (dB/m)	Result (dBuV/m)	Limit (dBuV/m)	Margin (dB)	Remark
1	2387.880	53.45	0.15	53.60	74.00	-20.40	peak
2	2387.880	32.90	0.15	33.05	54.00	-20.95	AVG
3	2390.000	52.87	0.15	53.02	74.00	-20.98	peak
4	2390.000	32.93	0.15	33.08	54.00	-20.92	AVG

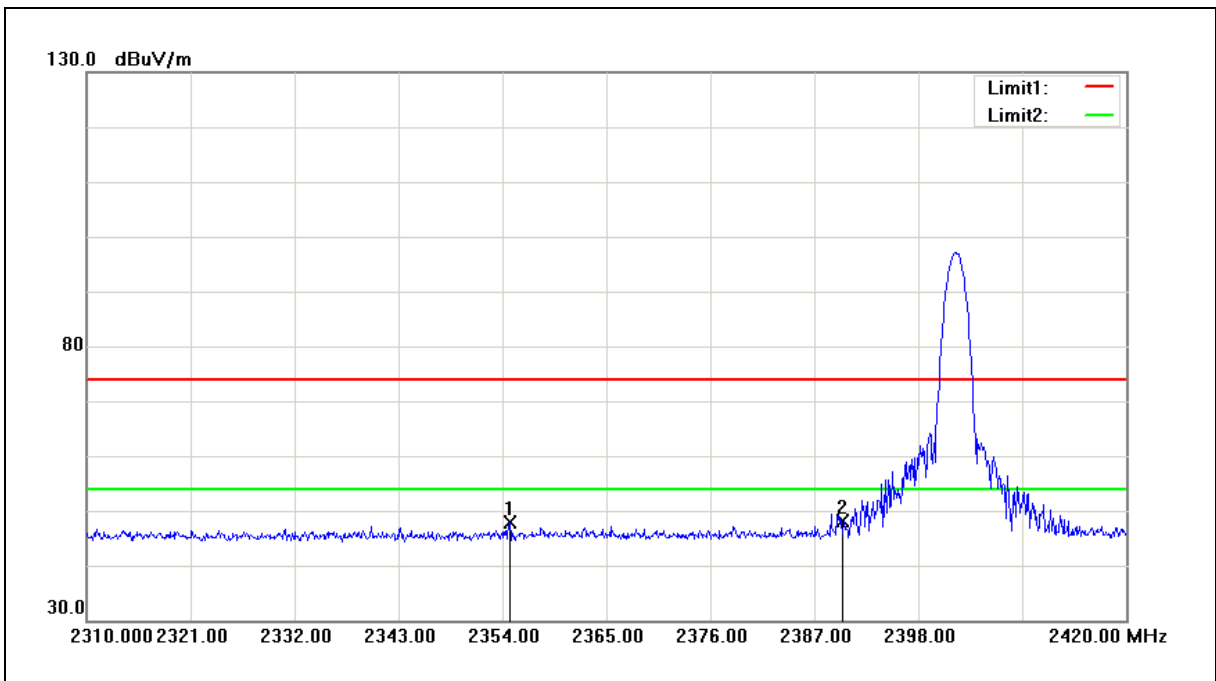
Note:1.Result (dBuV/m) = Correct Factor (dB/m) + Reading(dBuV).

2.Correction factor (dB/m) = Antenna Factor (dB/m) + Cable loss (dB) – Pre-Amplifier gain (dB).

3. When the peak results are less than average limit, so not need to evaluate the average.



Standard:	FCC Part 15.247	Test Distance:	3m
Test item:	Band edge	Power:	AC 120V/60Hz
Frequency:	2402MHz	Temp.(°C)/Hum.(%RH):	26(°C)/60%RH
Mode:	Mode 4	Date:	08/06/2017
Ant.Polar.:	Vertical		



No.	Frequency (MHz)	Reading (dBuV)	Correct Factor (dB/m)	Result (dBuV/m)	Limit (dBuV/m)	Margin (dB)	Remark
1	2354.770	47.85	0.00	47.85	74.00	-26.15	peak
2	2390.000	48.07	0.15	48.22	74.00	-25.78	peak

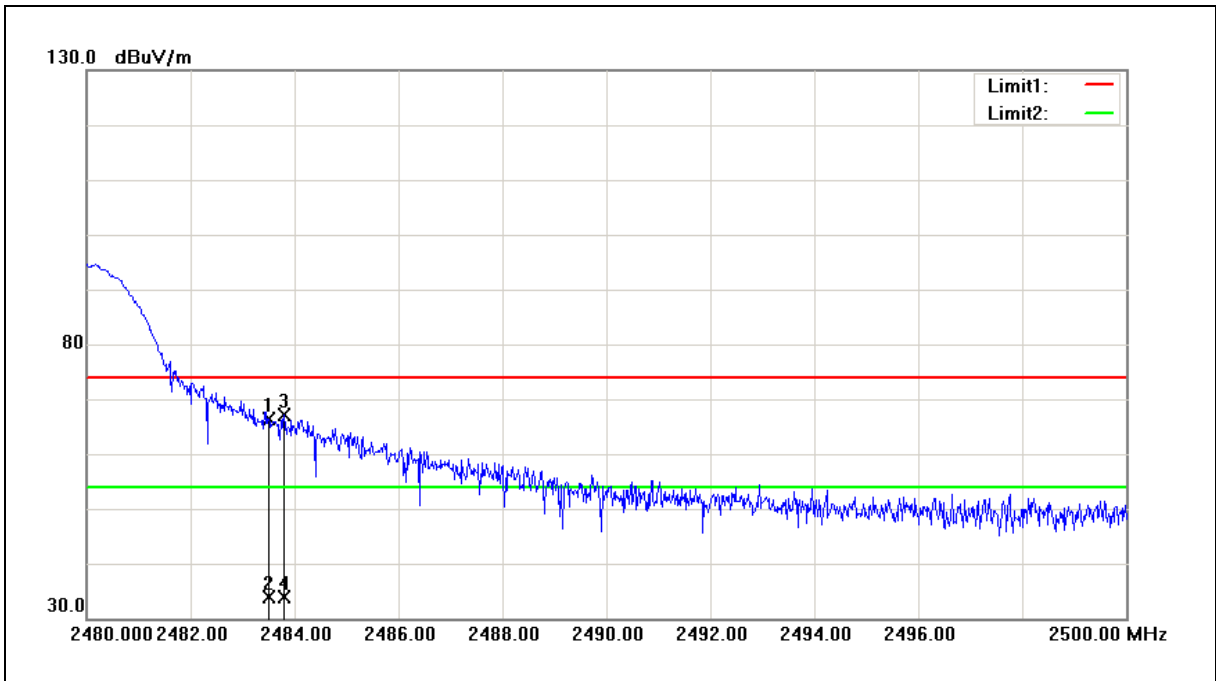
Note:1.Result (dBuV/m) = Correct Factor (dB/m) + Reading(dBuV).

2.Correction factor (dB/m) = Antenna Factor (dB/m) + Cable loss (dB) – Pre-Amplifier gain (dB).

3. When the peak results are less than average limit, so not need to evaluate the average.



Standard:	FCC Part 15.247	Test Distance:	3m
Test item:	Band edge	Power:	AC 120V/60Hz
Frequency:	2480MHz	Temp.(°C)/Hum.(%RH):	26(°C)/60%RH
Mode:	Mode 4	Date:	08/06/2017
Ant.Polar.:	Horizontal		



No.	Frequency (MHz)	Reading (dBuV)	Correct Factor (dB/m)	Result (dBuV/m)	Limit (dBuV/m)	Margin (dB)	Remark
1	2483.500	65.82	0.55	66.37	74.00	-7.63	peak
2	2483.500	33.23	0.55	33.78	54.00	-20.22	AVG
3	2483.800	66.62	0.55	67.17	74.00	-6.83	peak
4	2483.800	33.21	0.55	33.76	54.00	-20.24	AVG

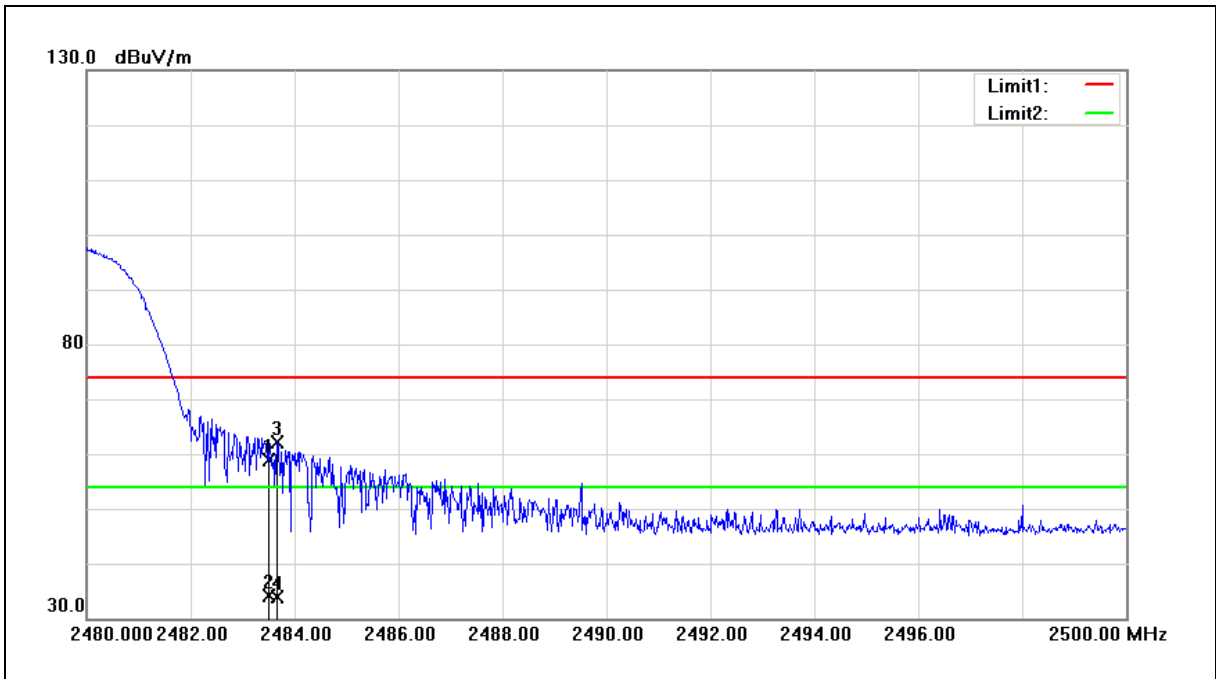
Note:1.Result (dBuV/m) = Correct Factor (dB/m) + Reading(dBuV).

2.Correction factor (dB/m) = Antenna Factor (dB/m) + Cable loss (dB) – Pre-Amplifier gain (dB).

3. When the peak results are less than average limit, so not need to evaluate the average.



Standard:	FCC Part 15.247	Test Distance:	3m
Test item:	Band edge	Power:	AC 120V/60Hz
Frequency:	2480MHz	Temp.(°C)/Hum.(%RH):	26(°C)/60%RH
Mode:	Mode 4	Date:	08/06/2017
Ant.Polar.:	Vertical		



No.	Frequency (MHz)	Reading (dBuV)	Correct Factor (dB/m)	Result (dBuV/m)	Limit (dBuV/m)	Margin (dB)	Remark
1	2483.500	58.33	0.55	58.88	74.00	-15.12	peak
2	2483.500	33.51	0.55	34.06	54.00	-19.94	AVG
3	2483.660	61.46	0.55	62.01	74.00	-11.99	peak
4	2483.660	33.39	0.55	33.94	54.00	-20.06	AVG

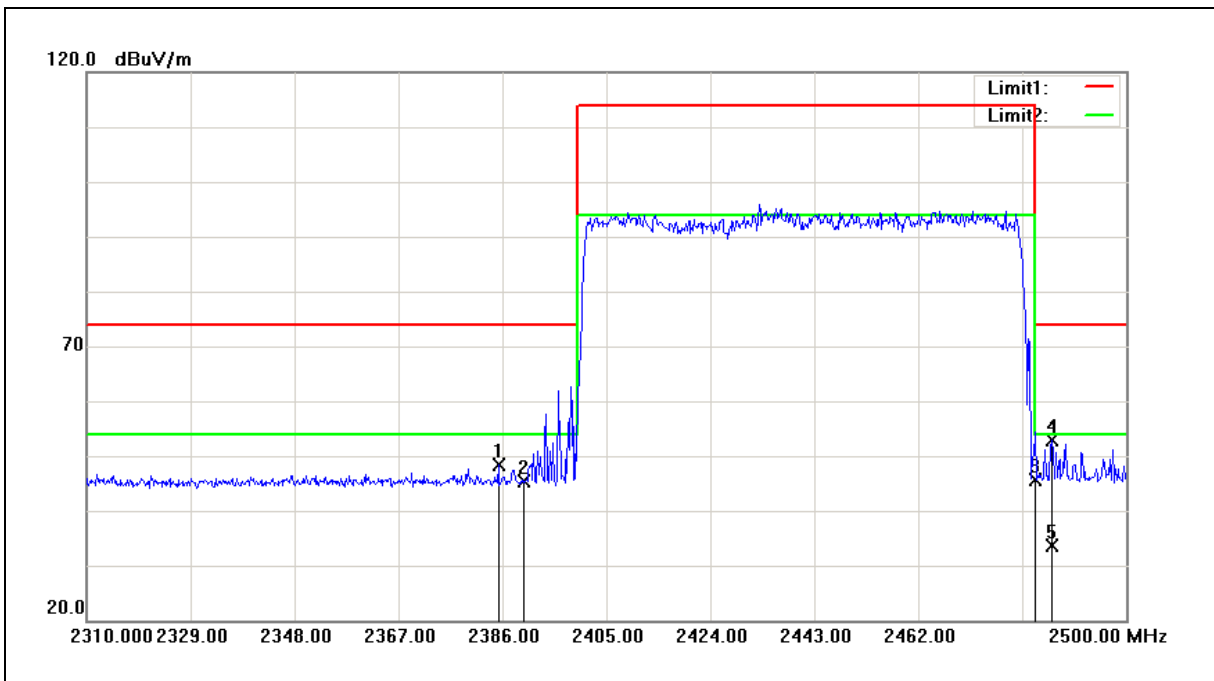
Note:1.Result (dBuV/m) = Correct Factor (dB/m) + Reading(dBuV).

2.Correction factor (dB/m) = Antenna Factor (dB/m) + Cable loss (dB) – Pre-Amplifier gain (dB).

3. When the peak results are less than average limit, so not need to evaluate the average.



Standard:	FCC Part 15.247	Test Distance:	3m
Test item:	Band edge	Power:	AC 120V/60Hz
Frequency:	Hopping	Temp.(°C)/Hum.(%RH):	26(°C)/60%RH
Mode:	Mode 4	Date:	08/06/2017
Ant.Polar.:	Horizontal		



No.	Frequency (MHz)	Reading (dBuV)	Correct Factor (dB/m)	Result (dBuV/m)	Limit (dBuV/m)	Margin (dB)	Remark
1	2385.240	48.21	0.14	48.35	74.00	-25.65	peak
2	2390.000	45.35	0.15	45.50	74.00	-28.50	peak
3	2483.500	45.03	0.55	45.58	74.00	-28.42	peak
4	2486.510	52.37	0.56	52.93	74.00	-21.07	peak
5	2486.510	33.05	0.56	33.61	54.00	-20.39	AVG

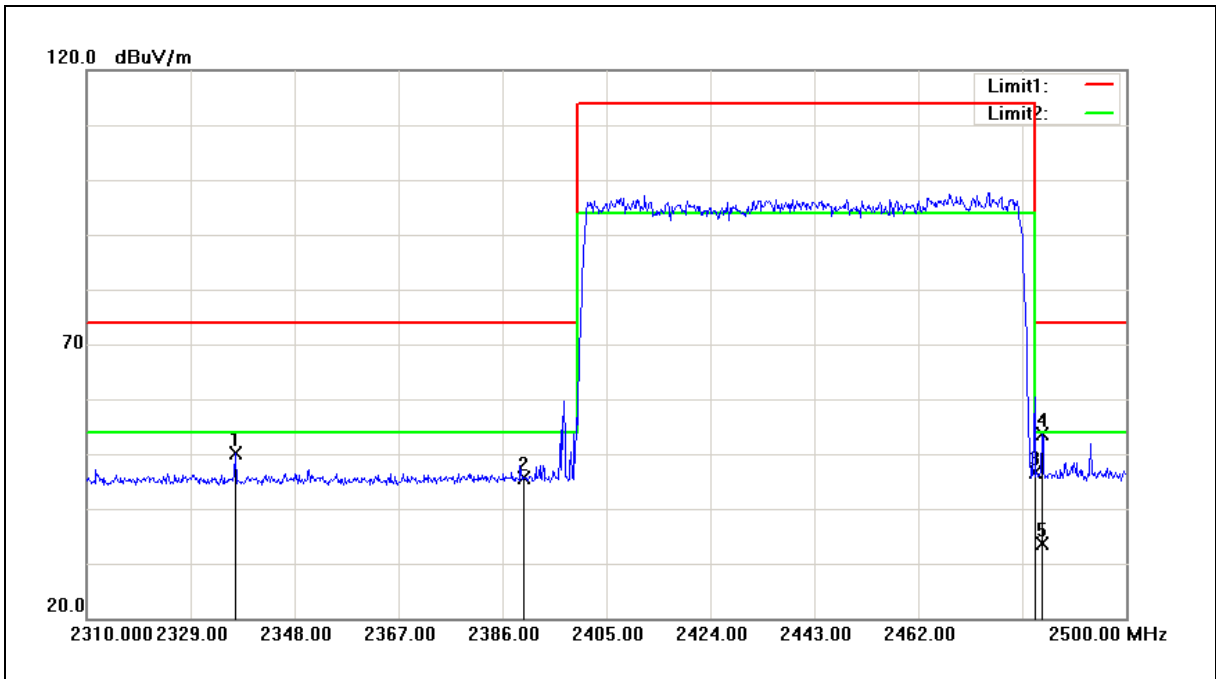
Note:1.Result (dBuV/m) = Correct Factor (dB/m) + Reading(dBuV).

2.Correction factor (dB/m) = Antenna Factor (dB/m) + Cable loss (dB) – Pre-Amplifier gain (dB).

3. When the peak results are less than average limit, so not need to evaluate the average.



Standard:	FCC Part 15.247	Test Distance:	3m
Test item:	Band edge	Power:	AC 120V/60Hz
Frequency:	Hopping	Temp.(°C)/Hum.(%RH):	26(°C)/60%RH
Mode:	Mode 4	Date:	08/06/2017
Ant.Polar.:	Vertical		



No.	Frequency (MHz)	Reading (dBuV)	Correct Factor (dB/m)	Result (dBuV/m)	Limit (dBuV/m)	Margin (dB)	Remark
1	2337.170	50.28	-0.07	50.21	74.00	-23.79	peak
2	2390.000	45.49	0.15	45.64	74.00	-28.36	peak
3	2483.500	46.10	0.55	46.65	74.00	-27.35	peak
4	2484.610	53.03	0.56	53.59	74.00	-20.41	peak
5	2484.610	33.16	0.56	33.72	54.00	-20.28	AVG

Note:1.Result (dBuV/m) = Correct Factor (dB/m) + Reading(dBuV).

2.Correction factor (dB/m) = Antenna Factor (dB/m) + Cable loss (dB) – Pre-Amplifier gain (dB).

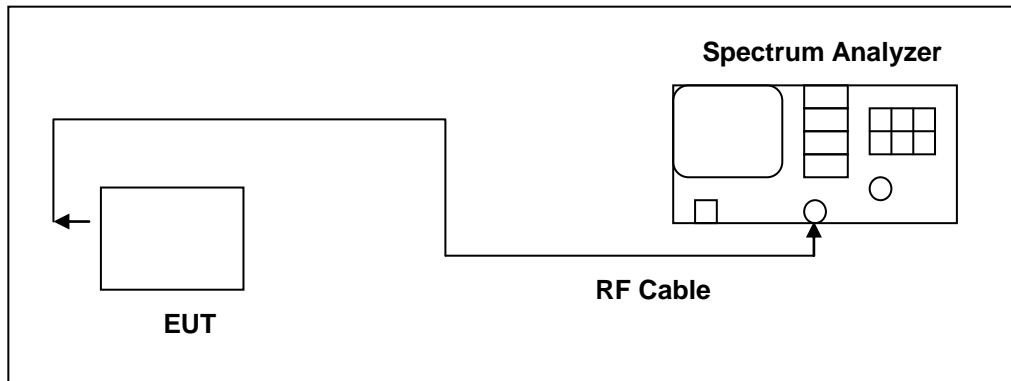
3. When the peak results are less than average limit, so not need to evaluate the average.

7 20dB RF Bandwidth Measurement

- Limit

N/A

- Test Setup



- Test Instruments

Equipment	Manufacturer	Model Number	Serial Number	Cal. Date	Remark
Spectrum Analyzer	Agilent	E4445A	MY45300744	12/19/2016	1 year
Microwave Cable	EMCI	EMC104-SM-SM-1 500	140303	02/22/2017	1 year
Test Site	ATL	TE05	TE05	N.C.R.	-----

NOTE: N.C.R. = No Calibration Request.



■ **Test Procedure**

Testing must be done according to this procedure, FCC Public Notice DA 00-705 - Filing and Measurement Guidelines for Frequency Hopping Spread Spectrum Systems. This is the only method recognized by the FCC. The RF output port of the Equipment-Under-Test is directly coupled to the input of the EMC analyzer through a specialized RF connector and a 10dB passive attenuator. A fully charged battery was used for the supply voltage. The Bluetooth frequency hopping function of the EUT was enabled. The spectrum analyzer used the following settings:

1. Span = approx. 2 to 3 times the 20dB bandwidth, centered on a hopping frequency
2. RBW \geq 1% of the 20dB span
3. VBW \geq RBW
4. Sweep = auto
5. Detector function = peak
6. Trace = max hold

The trace was allowed to stabilize. The EUT was transmitting at its maximum data rate. The marker-to-peak function was used to set the marker to the peak of the emission. The marker-delta function was used to measure 20dB down one side of the emission. The marker-delta function and marker was moved to the other side of the emission until it was even with the reference marker. The marker-delta reading at this point was the 20dB bandwidth of the emission.

■ **Test Result**

Test Mode	Frequency (MHz)	Measurement Results (MHz)
Mode 2	2402	0.999
	2441	0.997
	2480	0.996
Mode 4	2402	1.341
	2441	1.341
	2480	1.341



■ Test Graphs

Mode 2: GFSK Continuous TX mode	
2402 MHz	<p>Agilent Spectrum Analyzer - Occupied BW</p> <p>Center Freq: 2.40200000 GHz Trig: Free Run #IF Gain: Low #Atten: 30 dB Avg/Hold: >10/10 Radio Std: None Radio Device: BTS</p> <p>Ref Offset 1.5 dB Ref 10.00 dBm</p> <p>Center 2.402 GHz #Res BW 30 kHz #VBW 100 kHz Span 3 MHz Sweep 3.2 ms</p> <p>Occupied Bandwidth 893.95 kHz Total Power 10.2 dBm</p> <p>Transmit Freq Error -9.860 kHz OBW Power 99.00 % x dB Bandwidth 998.8 kHz x dB -20.00 dB</p> <p>Frequency: 2.40200000 GHz CF Step: 300.000 kHz Freq Offset: 0 Hz</p>
2441 MHz	<p>Agilent Spectrum Analyzer - Occupied BW</p> <p>Center Freq: 2.441000000 GHz Trig: Free Run #IF Gain: Low #Atten: 30 dB Avg/Hold: >10/10 Radio Std: None Radio Device: BTS</p> <p>Ref Offset 1.5 dB Ref 10.00 dBm</p> <p>Center 2.441 GHz #Res BW 30 kHz #VBW 100 kHz Span 3 MHz Sweep 3.2 ms</p> <p>Occupied Bandwidth 896.91 kHz Total Power 11.2 dBm</p> <p>Transmit Freq Error -18.121 kHz OBW Power 99.00 % x dB Bandwidth 996.5 kHz x dB -20.00 dB</p> <p>Frequency: 2.441000000 GHz CF Step: 300.000 kHz Freq Offset: 0 Hz</p>
2480 MHz	<p>Agilent Spectrum Analyzer - Occupied BW</p> <p>Center Freq: 2.480000000 GHz Trig: Free Run #IF Gain: Low #Atten: 30 dB Avg/Hold: >10/10 Radio Std: None Radio Device: BTS</p> <p>Ref Offset 1.5 dB Ref 10.00 dBm</p> <p>Center 2.48 GHz #Res BW 30 kHz #VBW 100 kHz Span 3 MHz Sweep 3.2 ms</p> <p>Occupied Bandwidth 903.12 kHz Total Power 11.2 dBm</p> <p>Transmit Freq Error -23.741 kHz OBW Power 99.00 % x dB Bandwidth 996.4 kHz x dB -20.00 dB</p> <p>Frequency: 2.480000000 GHz CF Step: 300.000 kHz Freq Offset: 0 Hz</p>



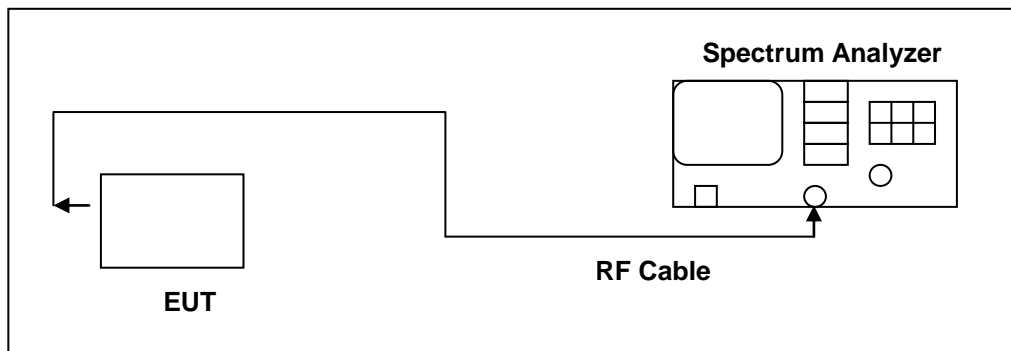
Mode 4: 8DPSK Continuous TX mode	
2402 MHz	<p>Agilent Spectrum Analyzer - Occupied BW</p> <p>Center Freq: 2.40200000 GHz Trig: Free Run #IF Gain: 1.0 #Atten: 30 dB Avg Hold: >10/10 Radio Std: None Radio Device: BTS</p> <p>Ref Offset 1.5 dB Ref 10.00 dBm</p> <p>Center 2.402 GHz #Res BW 30 kHz #VBW 100 kHz Span 3 MHz Sweep 3.2 ms</p> <p>Occupied Bandwidth: 1.2162 MHz Total Power: 7.16 dBm Transmit Freq Error: -16.978 kHz OBW Power: 99.00 % x dB Bandwidth: 1.341 MHz x dB: -20.00 dB</p>
2441 MHz	<p>Agilent Spectrum Analyzer - Occupied BW</p> <p>Center Freq: 2.441000000 GHz Trig: Free Run #IF Gain: 1.0 #Atten: 30 dB Avg Hold: >10/10 Radio Std: None Radio Device: BTS</p> <p>Ref Offset 1.5 dB Ref 10.00 dBm</p> <p>Center 2.441 GHz #Res BW 30 kHz #VBW 100 kHz Span 3 MHz Sweep 3.2 ms</p> <p>Occupied Bandwidth: 1.2155 MHz Total Power: 7.41 dBm Transmit Freq Error: -23.915 kHz OBW Power: 99.00 % x dB Bandwidth: 1.341 MHz x dB: -20.00 dB</p>
2480 MHz	<p>Agilent Spectrum Analyzer - Occupied BW</p> <p>Center Freq: 2.480000000 GHz Trig: Free Run #IF Gain: 1.0 #Atten: 30 dB Avg Hold: >10/10 Radio Std: None Radio Device: BTS</p> <p>Ref Offset 1.5 dB Ref 10.00 dBm</p> <p>Center 2.48 GHz #Res BW 30 kHz #VBW 100 kHz Span 3 MHz Sweep 3.2 ms</p> <p>Occupied Bandwidth: 1.2163 MHz Total Power: 7.57 dBm Transmit Freq Error: -30.916 kHz OBW Power: 99.00 % x dB Bandwidth: 1.341 MHz x dB: -20.00 dB</p>

8 Carrier Frequency Separation Measurement

■ Limit

Title 47 of the CFR, Part 15 Subpart (c) 15.247(a)(1) requires the measurement of the bandwidth of the transmission between the -20 dB points on the transmitted spectrum. The results of this test determine the limits for channel spacing. The channel spacing shall be a minimum of 25 kHz or the 20 dB bandwidth, whichever is greater. Alternatively, frequency hopping systems operating in the 2400-2483.5 MHz band may have hopping channel carrier frequencies that are separated by 25 kHz or two-thirds of the 20 dB bandwidth of the hopping channel.

■ Test Setup



■ Test Instruments

Equipment	Manufacturer	Model Number	Serial Number	Cal. Date	Remark
Spectrum Analyzer	Agilent	E4445A	MY45300744	12/19/2016	1 year
Microwave Cable	EMCI	EMC104-SM-SM-1 500	140303	02/22/2017	1 year
Test Site	ATL	TE05	TE05	N.C.R.	-----

NOTE: N.C.R. = No Calibration Request.



■ **Test Procedure**

Testing must be done according to this procedure, FCC Public Notice DA 00-705 - Filing and Measurement Guidelines for Frequency Hopping Spread Spectrum Systems. This is the only method recognized by the FCC. The RF output port of the Equipment-Under-Test is directly coupled to the input of the EMC analyzer through a specialized RF connector and a 10dB passive attenuator. A fully charged battery was used for the supply voltage. The Bluetooth frequency hopping function of the EUT was enabled. The following spectrum analyzer settings were used:

1. Span = wide enough to capture the peaks of two adjacent channels
2. Resolution (or IF) Bandwidth (RBW) \geq 1% of the span
3. Video (or Average) Bandwidth (VBW) \geq RBW
4. Sweep = auto
5. Detector function = peak
6. Trace = max hold

The trace was allowed to stabilize. The marker-delta function was used to determine the separation between the peaks of the adjacent channels.

■ **Test Result**

Test Mode	Frequency (MHz)	Measurement Results (MHz)	Limit (MHz)
Mode 2	2402	1.000	> 0.666
	2441	1.000	> 0.664
	2480	1.000	> 0.664
Mode 4	2402	1.000	> 0.894
	2441	1.000	> 0.894
	2480	1.000	> 0.894



Test Graphs

Mode 2: GFSK Continuous TX mode																																					
2402 MHz	<p>Agilent Spectrum Analyzer: Sweep 5A</p> <p>Ref Offset 1.5 dB Ref 20.00 dBm</p> <p>Mkr3 2.403 971 GHz 0.531 dBm</p> <p>Center 2.403000 GHz #Res BW 30 kHz #VBW 100 kHz Sweep 3.200 ms (1001 pts)</p> <table border="1"> <thead> <tr> <th>MKR</th> <th>MODE</th> <th>TRIG</th> <th>SOL</th> <th>X</th> <th>Y</th> <th>FUNCTION</th> <th>FUNCTION WIDTH</th> <th>FUNCTION VALUE</th> </tr> </thead> <tbody> <tr> <td>1</td> <td>N</td> <td>1</td> <td>f</td> <td>2.401 971 GHz</td> <td>0.613 dBm</td> <td></td> <td></td> <td></td> </tr> <tr> <td>2</td> <td>N</td> <td>1</td> <td>f</td> <td>2.402 971 GHz</td> <td>0.617 dBm</td> <td></td> <td></td> <td></td> </tr> <tr> <td>3</td> <td>N</td> <td>1</td> <td>f</td> <td>2.403 971 GHz</td> <td>0.531 dBm</td> <td></td> <td></td> <td></td> </tr> </tbody> </table>	MKR	MODE	TRIG	SOL	X	Y	FUNCTION	FUNCTION WIDTH	FUNCTION VALUE	1	N	1	f	2.401 971 GHz	0.613 dBm				2	N	1	f	2.402 971 GHz	0.617 dBm				3	N	1	f	2.403 971 GHz	0.531 dBm			
MKR	MODE	TRIG	SOL	X	Y	FUNCTION	FUNCTION WIDTH	FUNCTION VALUE																													
1	N	1	f	2.401 971 GHz	0.613 dBm																																
2	N	1	f	2.402 971 GHz	0.617 dBm																																
3	N	1	f	2.403 971 GHz	0.531 dBm																																
2441 MHz	<p>Agilent Spectrum Analyzer: Sweep 5A</p> <p>Ref Offset 1.5 dB Ref 20.00 dBm</p> <p>Mkr3 2.441 955 GHz 1.176 dBm</p> <p>Center 2.441000 GHz #Res BW 30 kHz #VBW 100 kHz Sweep 3.200 ms (1001 pts)</p> <table border="1"> <thead> <tr> <th>MKR</th> <th>MODE</th> <th>TRIG</th> <th>SOL</th> <th>X</th> <th>Y</th> <th>FUNCTION</th> <th>FUNCTION WIDTH</th> <th>FUNCTION VALUE</th> </tr> </thead> <tbody> <tr> <td>1</td> <td>N</td> <td>1</td> <td>f</td> <td>2.439 955 GHz</td> <td>1.320 dBm</td> <td></td> <td></td> <td></td> </tr> <tr> <td>2</td> <td>N</td> <td>1</td> <td>f</td> <td>2.440 955 GHz</td> <td>1.542 dBm</td> <td></td> <td></td> <td></td> </tr> <tr> <td>3</td> <td>N</td> <td>1</td> <td>f</td> <td>2.441 955 GHz</td> <td>1.176 dBm</td> <td></td> <td></td> <td></td> </tr> </tbody> </table>	MKR	MODE	TRIG	SOL	X	Y	FUNCTION	FUNCTION WIDTH	FUNCTION VALUE	1	N	1	f	2.439 955 GHz	1.320 dBm				2	N	1	f	2.440 955 GHz	1.542 dBm				3	N	1	f	2.441 955 GHz	1.176 dBm			
MKR	MODE	TRIG	SOL	X	Y	FUNCTION	FUNCTION WIDTH	FUNCTION VALUE																													
1	N	1	f	2.439 955 GHz	1.320 dBm																																
2	N	1	f	2.440 955 GHz	1.542 dBm																																
3	N	1	f	2.441 955 GHz	1.176 dBm																																
2480 MHz	<p>Agilent Spectrum Analyzer: Sweep 5A</p> <p>Ref Offset 1.5 dB Ref 20.00 dBm</p> <p>Mkr3 2.479 986 GHz 1.729 dBm</p> <p>Center 2.479000 GHz #Res BW 30 kHz #VBW 100 kHz Sweep 3.200 ms (1001 pts)</p> <table border="1"> <thead> <tr> <th>MKR</th> <th>MODE</th> <th>TRIG</th> <th>SOL</th> <th>X</th> <th>Y</th> <th>FUNCTION</th> <th>FUNCTION WIDTH</th> <th>FUNCTION VALUE</th> </tr> </thead> <tbody> <tr> <td>1</td> <td>N</td> <td>1</td> <td>f</td> <td>2.477 988 GHz</td> <td>1.498 dBm</td> <td></td> <td></td> <td></td> </tr> <tr> <td>2</td> <td>N</td> <td>1</td> <td>f</td> <td>2.478 988 GHz</td> <td>1.751 dBm</td> <td></td> <td></td> <td></td> </tr> <tr> <td>3</td> <td>N</td> <td>1</td> <td>f</td> <td>2.479 988 GHz</td> <td>1.729 dBm</td> <td></td> <td></td> <td></td> </tr> </tbody> </table>	MKR	MODE	TRIG	SOL	X	Y	FUNCTION	FUNCTION WIDTH	FUNCTION VALUE	1	N	1	f	2.477 988 GHz	1.498 dBm				2	N	1	f	2.478 988 GHz	1.751 dBm				3	N	1	f	2.479 988 GHz	1.729 dBm			
MKR	MODE	TRIG	SOL	X	Y	FUNCTION	FUNCTION WIDTH	FUNCTION VALUE																													
1	N	1	f	2.477 988 GHz	1.498 dBm																																
2	N	1	f	2.478 988 GHz	1.751 dBm																																
3	N	1	f	2.479 988 GHz	1.729 dBm																																



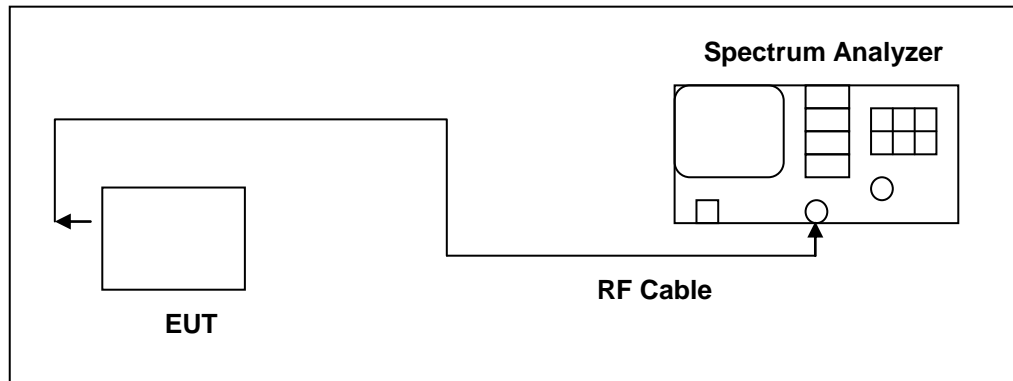
Mode 4: 8DPSK Continuous TX mode																																					
2402 MHz	<p>Agilent Spectrum Analyzer - Sweep 5A</p> <p>Ref Offset 1.5 dB Ref 20.00 dBm</p> <p>Mkr3 2.403 971 GHz -3.275 dBm</p> <p>Center 2.403000 GHz #Res BW 30 kHz #VBW 100 kHz Span 3.000 MHz Sweep 3.200 ms (1001 pts)</p> <table border="1"> <thead> <tr> <th>MKR</th> <th>MODE</th> <th>TRIG</th> <th>SOL</th> <th>F</th> <th>F</th> <th>FUNCTION</th> <th>FUNCTION WIDTH</th> <th>FUNCTION VALUE</th> </tr> </thead> <tbody> <tr> <td>1</td> <td>N</td> <td>1</td> <td>f</td> <td>2.401 971 GHz</td> <td>-3.248 dBm</td> <td></td> <td></td> <td></td> </tr> <tr> <td>2</td> <td>N</td> <td>1</td> <td>f</td> <td>2.402 971 GHz</td> <td>-3.196 dBm</td> <td></td> <td></td> <td></td> </tr> <tr> <td>3</td> <td>N</td> <td>1</td> <td>f</td> <td>2.403 971 GHz</td> <td>-3.275 dBm</td> <td></td> <td></td> <td></td> </tr> </tbody> </table>	MKR	MODE	TRIG	SOL	F	F	FUNCTION	FUNCTION WIDTH	FUNCTION VALUE	1	N	1	f	2.401 971 GHz	-3.248 dBm				2	N	1	f	2.402 971 GHz	-3.196 dBm				3	N	1	f	2.403 971 GHz	-3.275 dBm			
MKR	MODE	TRIG	SOL	F	F	FUNCTION	FUNCTION WIDTH	FUNCTION VALUE																													
1	N	1	f	2.401 971 GHz	-3.248 dBm																																
2	N	1	f	2.402 971 GHz	-3.196 dBm																																
3	N	1	f	2.403 971 GHz	-3.275 dBm																																
2441 MHz	<p>Agilent Spectrum Analyzer - Sweep 5A</p> <p>Ref Offset 1.5 dB Ref 20.00 dBm</p> <p>Mkr3 2.441 964 GHz -3.037 dBm</p> <p>Center 2.441000 GHz #Res BW 30 kHz #VBW 100 kHz Span 3.000 MHz Sweep 3.200 ms (1001 pts)</p> <table border="1"> <thead> <tr> <th>MKR</th> <th>MODE</th> <th>TRIG</th> <th>SOL</th> <th>F</th> <th>F</th> <th>FUNCTION</th> <th>FUNCTION WIDTH</th> <th>FUNCTION VALUE</th> </tr> </thead> <tbody> <tr> <td>1</td> <td>N</td> <td>1</td> <td>f</td> <td>2.439 964 GHz</td> <td>-3.022 dBm</td> <td></td> <td></td> <td></td> </tr> <tr> <td>2</td> <td>N</td> <td>1</td> <td>f</td> <td>2.440 964 GHz</td> <td>-3.009 dBm</td> <td></td> <td></td> <td></td> </tr> <tr> <td>3</td> <td>N</td> <td>1</td> <td>f</td> <td>2.441 964 GHz</td> <td>-3.037 dBm</td> <td></td> <td></td> <td></td> </tr> </tbody> </table>	MKR	MODE	TRIG	SOL	F	F	FUNCTION	FUNCTION WIDTH	FUNCTION VALUE	1	N	1	f	2.439 964 GHz	-3.022 dBm				2	N	1	f	2.440 964 GHz	-3.009 dBm				3	N	1	f	2.441 964 GHz	-3.037 dBm			
MKR	MODE	TRIG	SOL	F	F	FUNCTION	FUNCTION WIDTH	FUNCTION VALUE																													
1	N	1	f	2.439 964 GHz	-3.022 dBm																																
2	N	1	f	2.440 964 GHz	-3.009 dBm																																
3	N	1	f	2.441 964 GHz	-3.037 dBm																																
2480 MHz	<p>Agilent Spectrum Analyzer - Sweep 5A</p> <p>Ref Offset 1.5 dB Ref 20.00 dBm</p> <p>Mkr3 2.479 958 GHz -2.701 dBm</p> <p>Center 2.479000 GHz #Res BW 30 kHz #VBW 100 kHz Span 3.000 MHz Sweep 3.200 ms (1001 pts)</p> <table border="1"> <thead> <tr> <th>MKR</th> <th>MODE</th> <th>TRIG</th> <th>SOL</th> <th>F</th> <th>F</th> <th>FUNCTION</th> <th>FUNCTION WIDTH</th> <th>FUNCTION VALUE</th> </tr> </thead> <tbody> <tr> <td>1</td> <td>N</td> <td>1</td> <td>f</td> <td>2.477 958 GHz</td> <td>-2.644 dBm</td> <td></td> <td></td> <td></td> </tr> <tr> <td>2</td> <td>N</td> <td>1</td> <td>f</td> <td>2.478 958 GHz</td> <td>-2.615 dBm</td> <td></td> <td></td> <td></td> </tr> <tr> <td>3</td> <td>N</td> <td>1</td> <td>f</td> <td>2.479 958 GHz</td> <td>-2.701 dBm</td> <td></td> <td></td> <td></td> </tr> </tbody> </table>	MKR	MODE	TRIG	SOL	F	F	FUNCTION	FUNCTION WIDTH	FUNCTION VALUE	1	N	1	f	2.477 958 GHz	-2.644 dBm				2	N	1	f	2.478 958 GHz	-2.615 dBm				3	N	1	f	2.479 958 GHz	-2.701 dBm			
MKR	MODE	TRIG	SOL	F	F	FUNCTION	FUNCTION WIDTH	FUNCTION VALUE																													
1	N	1	f	2.477 958 GHz	-2.644 dBm																																
2	N	1	f	2.478 958 GHz	-2.615 dBm																																
3	N	1	f	2.479 958 GHz	-2.701 dBm																																

9 Number of Hopping Measurement

■ Limit

Frequency hopping systems in the 2400–2483.5 MHz band shall use at least 15 channels.

■ Test Setup



■ Test Instruments

Equipment	Manufacturer	Model Number	Serial Number	Cal. Date	Remark
Spectrum Analyzer	Agilent	E4445A	MY45300744	12/19/2016	1 year
Microwave Cable	EMCI	EMC104-SM-SM-1500	140303	02/22/2017	1 year
Test Site	ATL	TE05	TE05	N.C.R.	-----

NOTE: N.C.R. = No Calibration Request.

■ Test Procedure

Testing must be done according to this procedure, FCC Public Notice DA 00-705 - Filing and Measurement Guidelines for Frequency Hopping Spread Spectrum Systems. This is the only method recognized by the FCC. The RF output port of the Equipment-Under-Test is directly coupled to the input of the EMC analyzer through a specialized RF connector and a 10dB passive attenuator. A fully charged battery was used for the supply voltage. The Bluetooth frequency hopping function of the EUT was enabled. The spectrum analyzer used the following settings:

1. Span = the frequency band of operation
2. RBW \geq 1% of the span
3. VBW \geq RBW
4. Sweep = auto
5. Detector function = peak
6. Trace = max hold

The trace was allowed to stabilize.

■ Test Result

Test Mode	Frequency Range (MHz)	Measurement Results (Ch)	Limit (ch)
Mode 2	2402 - 2480	79	> 15
Mode 4	2402 - 2480	79	> 15

■ Test Graphs

Mode 2: GFSK Continuous TX mode	
CH0~CH39	
CH40~CH78	

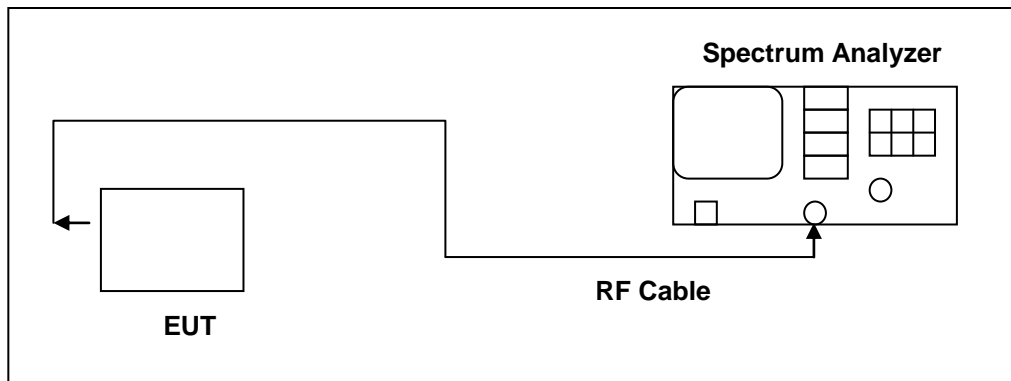
Mode 4: 8DPSK Continuous TX mode	
CH0~CH39	
CH40~CH78	

10 Time of Occupancy (Dwell Time) Measurement

■ Limit

The average time of occupancy on any channel shall not be greater than 0.4 seconds within a period of 0.4 seconds multiplied by the number of hopping channels employed.

■ Test Setup



■ Test Instruments

Equipment	Manufacturer	Model Number	Serial Number	Cal. Date	Remark
Spectrum Analyzer	Agilent	E4445A	MY45300744	12/19/2016	1 year
Microwave Cable	EMCI	EMC104-SM-SM-1500	140303	02/22/2017	1 year
Test Site	ATL	TE05	TE05	N.C.R.	-----

NOTE: N.C.R. = No Calibration Request.

■ Test Procedure

Testing must be done according to this procedure, FCC Public Notice DA 00-705 - Filing and Measurement Guidelines for Frequency Hopping Spread Spectrum Systems. This is the only method recognized by the FCC. The RF output port of the Equipment-Under-Test is directly coupled to the input of the spectrum through a specialized RF connector and a 10dB passive attenuator. A fully charged battery was used for the supply voltage. The Bluetooth hopping function of the EUT was enabled. The following spectrum analyzer settings were used:

1. Span = zero span, centered on a hopping channel
2. RBW = 1 MHz
3. VBW \geq RBW
4. Sweep = as necessary to capture the entire dwell time per hopping channel
5. Detector function = peak
6. Trace = max hold

The marker-delta function was used to determine the dwell time.

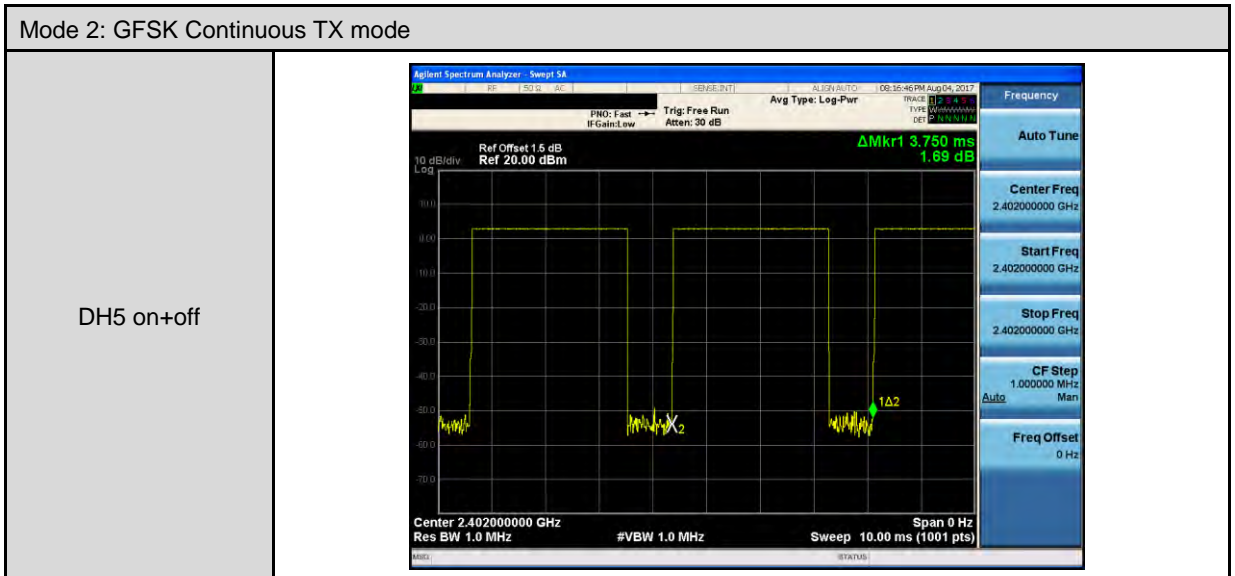


■ Test Result

Mode 2: GFSK Continuous TX mode	
DH1	
Cycle Calculate	$79CH * 0.4 = 31.6 \text{ (sec)}$
The EUT Hopping Number per Sec	1600 times/sec
Each Channel Dwell Times per Sec	$800/79CH = 10.13(\text{times/sec})$
Each Channel Dwell Times on Cycle(1)	$31.6 * 10.13 = 320.108(\text{times})$
Each Channel Dwell Times (2)	0.440 ms (sec)
Dwell Times on Cycle (1) * (2)	140.848 ms (sec)
LIMIT(msec)	$< = 400$
DH3	
Cycle Calculate	$79CH * 0.4 = 31.6 \text{ (sec)}$
The EUT Hopping Number per Sec	1600 times/sec
Each Channel Dwell Times per Sec	$400/79CH = 5.1(\text{times/sec})$
Each Channel Dwell Times on Cycle(1)	$31.6 * 5.1 = 161.16(\text{times})$
Each Channel Dwell Times (2)	1.700 ms (sec)
Dwell Times on Cycle (1) * (2)	271.823 ms (sec)
LIMIT(msec)	$< = 400$
DH5	
Cycle Calculate	$79CH * 0.4 = 31.6 \text{ (sec)}$
The EUT Hopping Number per Sec	1600 times/sec
Each Channel Dwell Times per Sec	$266.7/79CH = 3.37(\text{times/sec})$
Each Channel Dwell Times on Cycle(1)	$31.6 * 3.37 = 106.492(\text{times})$
Each Channel Dwell Times (2)	2.950 ms (sec)
Dwell Times on Cycle (1) * (2)	315.084 ms (sec)
LIMIT(msec)	$< = 400$

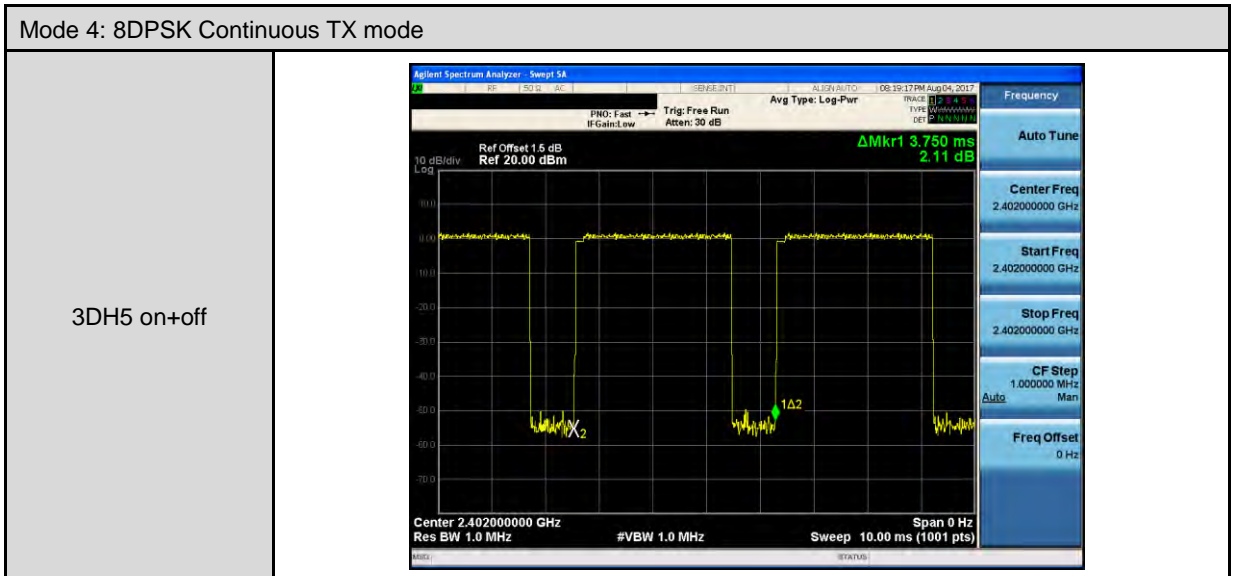


Mode 4: 8DPSK Continuous TX mode	
3DH1	
Cycle Calculate	$79CH * 0.4 = 31.6 \text{ (sec)}$
The EUT Hopping Number per Sec	1600 times/sec
Each Channel Dwell Times per Sec	$800/79CH = 10.13(\text{times/sec})$
Each Channel Dwell Times on Cycle(1)	$31.6 * 10.13 = 320.108(\text{times})$
Each Channel Dwell Times (2)	0.440 ms (sec)
Dwell Times on Cycle (1) * (2)	140.848 ms (sec)
LIMIT(msec)	$< = 400$
3DH3	
Cycle Calculate	$79CH * 0.4 = 31.6 \text{ (sec)}$
The EUT Hopping Number per Sec	1600 times/sec
Each Channel Dwell Times per Sec	$400/79CH = 5.1(\text{times/sec})$
Each Channel Dwell Times on Cycle(1)	$31.6 * 5.1 = 161.16(\text{times})$
Each Channel Dwell Times (2)	1.700 ms (sec)
Dwell Times on Cycle (1) * (2)	271.823 ms (sec)
LIMIT(msec)	$< = 400$
3DH5	
Cycle Calculate	$79CH * 0.4 = 31.6 \text{ (sec)}$
The EUT Hopping Number per Sec	1600 times/sec
Each Channel Dwell Times per Sec	$266.7/79CH = 3.37(\text{times/sec})$
Each Channel Dwell Times on Cycle(1)	$31.6 * 3.37 = 106.492(\text{times})$
Each Channel Dwell Times (2)	2.950 ms (sec)
Dwell Times on Cycle (1) * (2)	315.084 ms (sec)
LIMIT(msec)	$< = 400$





Mode 4: 8DPSK Continuous TX mode	
3DH1	<p>Agilent Spectrum Analyzer - Swept SA</p> <p>PRO: Fast IF Gain: Low Trig: Free Run Atten: 30 dB Avg Type: Log-Pwr</p> <p>Ref Offset 1.5 dB Ref 20.00 dBm ΔMkr1 440.0 μs -0.44 dB</p> <p>Center 2.402000000 GHz Res BW 1.0 MHz #VBW 1.0 MHz Sweep 10.00 ms (1001 pts) Span 0 Hz</p>
3DH3	<p>Agilent Spectrum Analyzer - Swept SA</p> <p>PRO: Fast IF Gain: Low Trig: Free Run Atten: 30 dB Avg Type: Log-Pwr</p> <p>Ref Offset 1.5 dB Ref 20.00 dBm ΔMkr1 1.700 ms -0.88 dB</p> <p>Center 2.402000000 GHz Res BW 1.0 MHz #VBW 1.0 MHz Sweep 10.00 ms (1001 pts) Span 0 Hz</p>
3DH5	<p>Agilent Spectrum Analyzer - Swept SA</p> <p>PRO: Fast IF Gain: Low Trig: Free Run Atten: 30 dB Avg Type: Log-Pwr</p> <p>Ref Offset 1.5 dB Ref 20.00 dBm ΔMkr1 2.950 ms 2.63 dB</p> <p>Center 2.402000000 GHz Res BW 1.0 MHz #VBW 1.0 MHz Sweep 10.00 ms (1001 pts) Span 0 Hz</p>

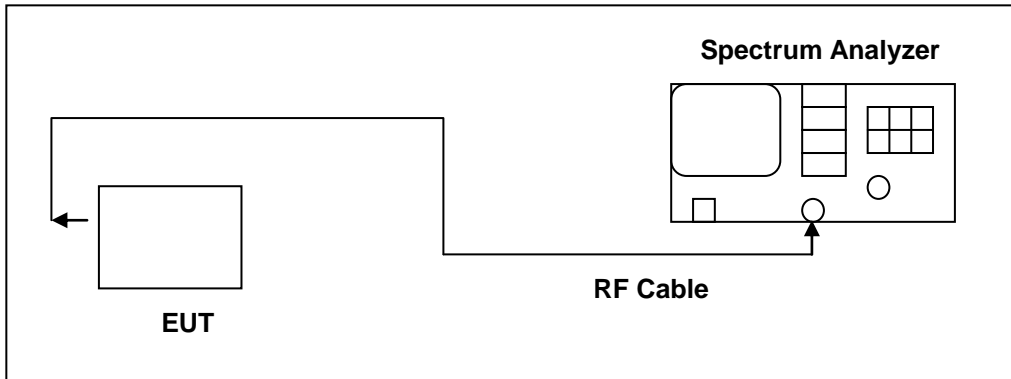


11 Out of Band Conducted Emissions Measurement

■ Limit

In any 100 kHz bandwidth outside the frequency band in which the spread spectrum or digitally modulated intentional radiator is operating, the radio frequency power that is produced by the intentional radiator shall be at least 20 dB below that in the 100 kHz bandwidth within the band that contains the highest level of the desired power

■ Test Setup



■ Test Instruments

Equipment	Manufacturer	Model Number	Serial Number	Cal. Date	Remark
Spectrum Analyzer	Agilent	E4445A	MY45300744	12/19/2016	1 year
Spectrum Analyzer	Agilent	E4408B	MY45107753	08/08/2016	1 year
Microwave Cable	EMCI	EMC104-SM-SM-1500	140303	02/22/2017	1 year
Test Site	ATL	TE05	TE05	N.C.R.	-----

NOTE: N.C.R. = No Calibration Request.

■ Test Procedure

Testing must be done according to this procedure, FCC Public Notice DA 00-705 - Filing and Measurement Guidelines for Frequency Hopping Spread Spectrum Systems. This is the only method recognized by the FCC. In any 100 kHz bandwidth outside the EUT pass band, the RF power produced by the modulation products of the spreading sequence, the information sequence, and the carrier frequency shall be at least 20 dB below that of the maximum in-band 100 kHz emission, antenna output of the EUT was coupled directly to spectrum analyzer; if an external attenuator and/or cable was used, these losses are compensated for with the analyzer OFFSET function. All other types of emissions from the EUT shall meet the general limits for radiated frequencies outside the pass band. The test was performed at 3 channels (Channel 0, 39, 78)



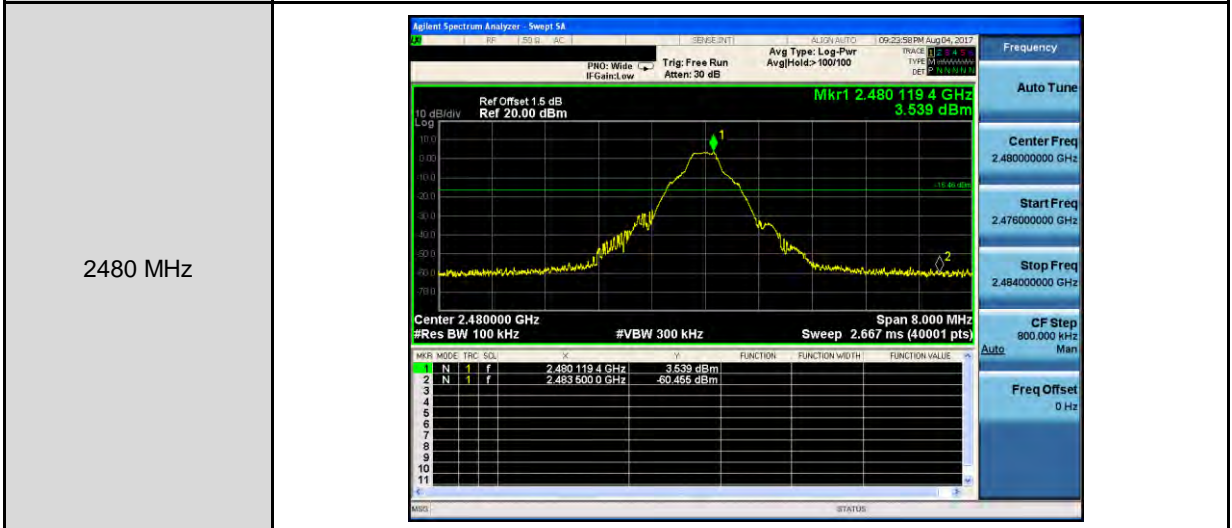
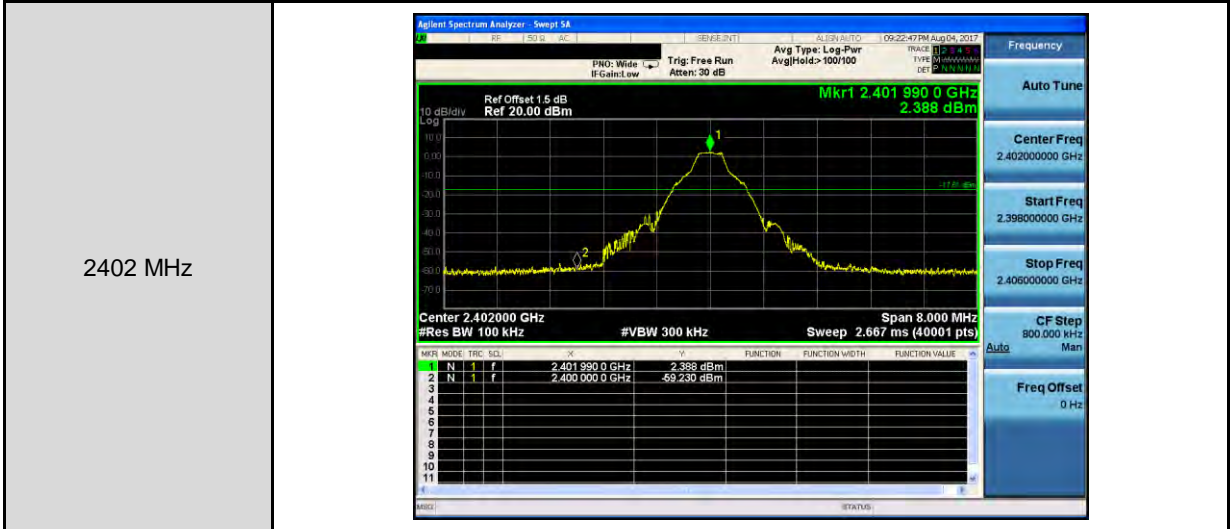
■ Test Graphs

Mode 2: GFSK Continuous TX mode																			
2402 MHz	<table border="1"> <thead> <tr> <th>MKR</th> <th>MODE</th> <th>TRIG</th> <th>SOL</th> <th>X</th> <th>Y</th> <th>FUNCTION</th> <th>FUNCTION WIDTH</th> <th>FUNCTION VALUE</th> </tr> </thead> <tbody> <tr> <td>1</td> <td>N</td> <td>1</td> <td>f</td> <td>2,402.0 GHz</td> <td>2,813 dBm</td> <td></td> <td></td> <td></td> </tr> </tbody> </table>	MKR	MODE	TRIG	SOL	X	Y	FUNCTION	FUNCTION WIDTH	FUNCTION VALUE	1	N	1	f	2,402.0 GHz	2,813 dBm			
MKR	MODE	TRIG	SOL	X	Y	FUNCTION	FUNCTION WIDTH	FUNCTION VALUE											
1	N	1	f	2,402.0 GHz	2,813 dBm														
2441 MHz	<table border="1"> <thead> <tr> <th>MKR</th> <th>MODE</th> <th>TRIG</th> <th>SOL</th> <th>X</th> <th>Y</th> <th>FUNCTION</th> <th>FUNCTION WIDTH</th> <th>FUNCTION VALUE</th> </tr> </thead> <tbody> <tr> <td>1</td> <td>N</td> <td>1</td> <td>f</td> <td>2,441.0 GHz</td> <td>3,716 dBm</td> <td></td> <td></td> <td></td> </tr> </tbody> </table>	MKR	MODE	TRIG	SOL	X	Y	FUNCTION	FUNCTION WIDTH	FUNCTION VALUE	1	N	1	f	2,441.0 GHz	3,716 dBm			
MKR	MODE	TRIG	SOL	X	Y	FUNCTION	FUNCTION WIDTH	FUNCTION VALUE											
1	N	1	f	2,441.0 GHz	3,716 dBm														
2480 MHz	<table border="1"> <thead> <tr> <th>MKR</th> <th>MODE</th> <th>TRIG</th> <th>SOL</th> <th>X</th> <th>Y</th> <th>FUNCTION</th> <th>FUNCTION WIDTH</th> <th>FUNCTION VALUE</th> </tr> </thead> <tbody> <tr> <td>1</td> <td>N</td> <td>1</td> <td>f</td> <td>2,480.0 GHz</td> <td>3,711 dBm</td> <td></td> <td></td> <td></td> </tr> </tbody> </table>	MKR	MODE	TRIG	SOL	X	Y	FUNCTION	FUNCTION WIDTH	FUNCTION VALUE	1	N	1	f	2,480.0 GHz	3,711 dBm			
MKR	MODE	TRIG	SOL	X	Y	FUNCTION	FUNCTION WIDTH	FUNCTION VALUE											
1	N	1	f	2,480.0 GHz	3,711 dBm														

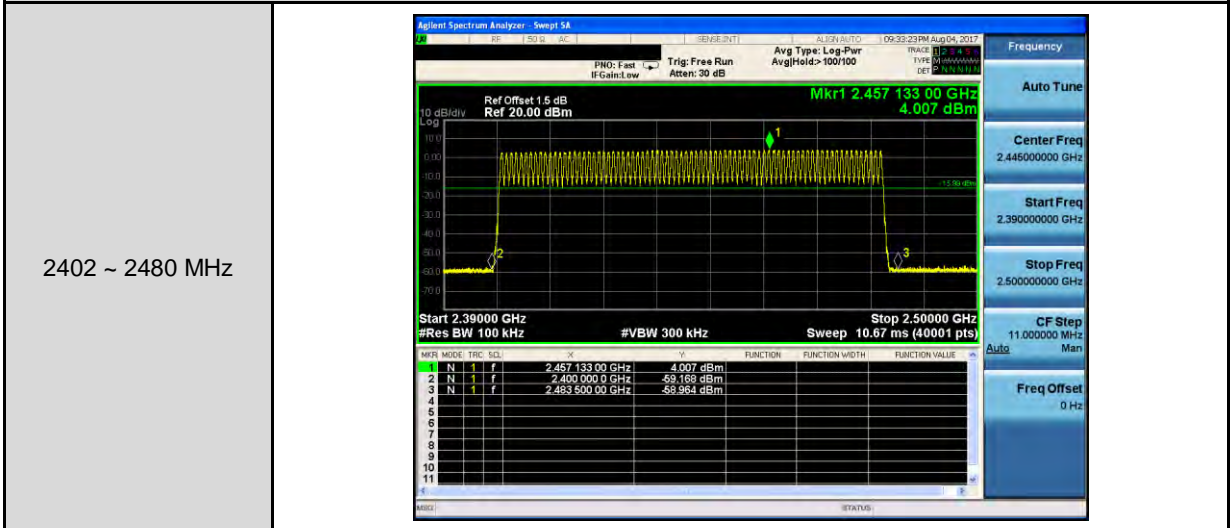


Mode 4: 8DPSK Continuous TX mode																			
2402 MHz	<p>Agilent Spectrum Analyzer - Swept SA</p> <p>Ref Offset: 1.5 dB Ref: 20.00 dBm</p> <p>Mkr1 2.402 0 GHz -1.477 dBm</p> <p>Start 30 MHz #Res BW 100 kHz #VBW 300 kHz Stop 26.50 GHz Sweep 2.531 s (40001 pts)</p> <table border="1"><thead><tr><th>MKR</th><th>MODE</th><th>TRIG</th><th>SOL</th><th>X</th><th>Y</th><th>FUNCTION</th><th>FUNCTION WIDTH</th><th>FUNCTION VALUE</th></tr></thead><tbody><tr><td>1</td><td>N</td><td>1</td><td>f</td><td>2.402 0 GHz</td><td>-1.477 dBm</td><td></td><td></td><td></td></tr></tbody></table>	MKR	MODE	TRIG	SOL	X	Y	FUNCTION	FUNCTION WIDTH	FUNCTION VALUE	1	N	1	f	2.402 0 GHz	-1.477 dBm			
MKR	MODE	TRIG	SOL	X	Y	FUNCTION	FUNCTION WIDTH	FUNCTION VALUE											
1	N	1	f	2.402 0 GHz	-1.477 dBm														
2441 MHz	<p>Agilent Spectrum Analyzer - Swept SA</p> <p>Ref Offset: 1.5 dB Ref: 20.00 dBm</p> <p>Mkr1 2.441 0 GHz -1.602 dBm</p> <p>Start 30 MHz #Res BW 100 kHz #VBW 300 kHz Stop 26.50 GHz Sweep 2.531 s (40001 pts)</p> <table border="1"><thead><tr><th>MKR</th><th>MODE</th><th>TRIG</th><th>SOL</th><th>X</th><th>Y</th><th>FUNCTION</th><th>FUNCTION WIDTH</th><th>FUNCTION VALUE</th></tr></thead><tbody><tr><td>1</td><td>N</td><td>1</td><td>f</td><td>2.441 0 GHz</td><td>-1.602 dBm</td><td></td><td></td><td></td></tr></tbody></table>	MKR	MODE	TRIG	SOL	X	Y	FUNCTION	FUNCTION WIDTH	FUNCTION VALUE	1	N	1	f	2.441 0 GHz	-1.602 dBm			
MKR	MODE	TRIG	SOL	X	Y	FUNCTION	FUNCTION WIDTH	FUNCTION VALUE											
1	N	1	f	2.441 0 GHz	-1.602 dBm														
2480 MHz	<p>Agilent Spectrum Analyzer - Swept SA</p> <p>Ref Offset: 1.5 dB Ref: 20.00 dBm</p> <p>Mkr1 2.480 0 GHz -1.275 dBm</p> <p>Start 30 MHz #Res BW 100 kHz #VBW 300 kHz Stop 26.50 GHz Sweep 2.531 s (40001 pts)</p> <table border="1"><thead><tr><th>MKR</th><th>MODE</th><th>TRIG</th><th>SOL</th><th>X</th><th>Y</th><th>FUNCTION</th><th>FUNCTION WIDTH</th><th>FUNCTION VALUE</th></tr></thead><tbody><tr><td>1</td><td>N</td><td>1</td><td>f</td><td>2.480 0 GHz</td><td>-1.275 dBm</td><td></td><td></td><td></td></tr></tbody></table>	MKR	MODE	TRIG	SOL	X	Y	FUNCTION	FUNCTION WIDTH	FUNCTION VALUE	1	N	1	f	2.480 0 GHz	-1.275 dBm			
MKR	MODE	TRIG	SOL	X	Y	FUNCTION	FUNCTION WIDTH	FUNCTION VALUE											
1	N	1	f	2.480 0 GHz	-1.275 dBm														

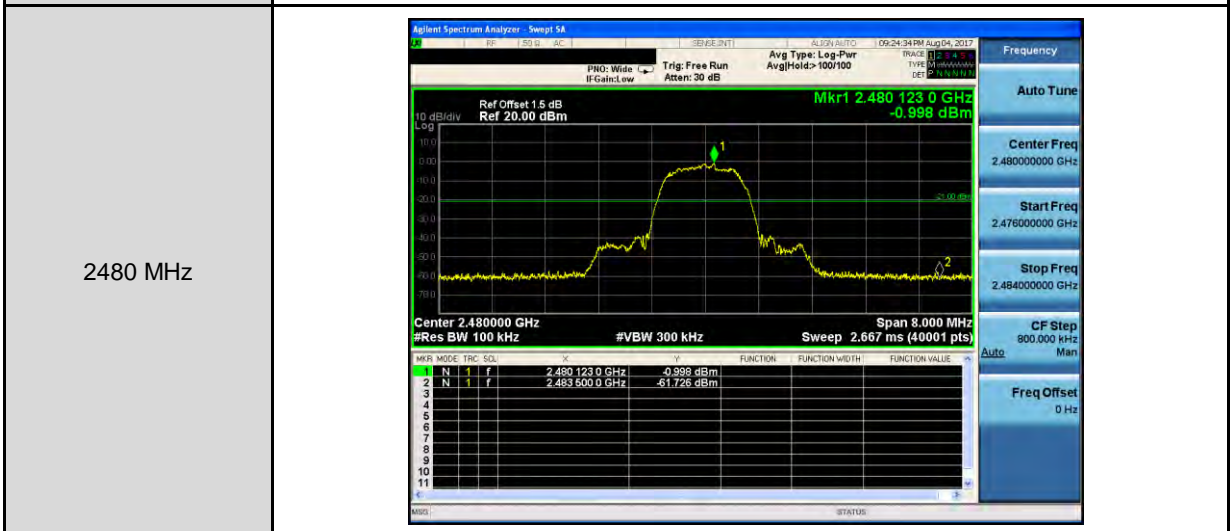
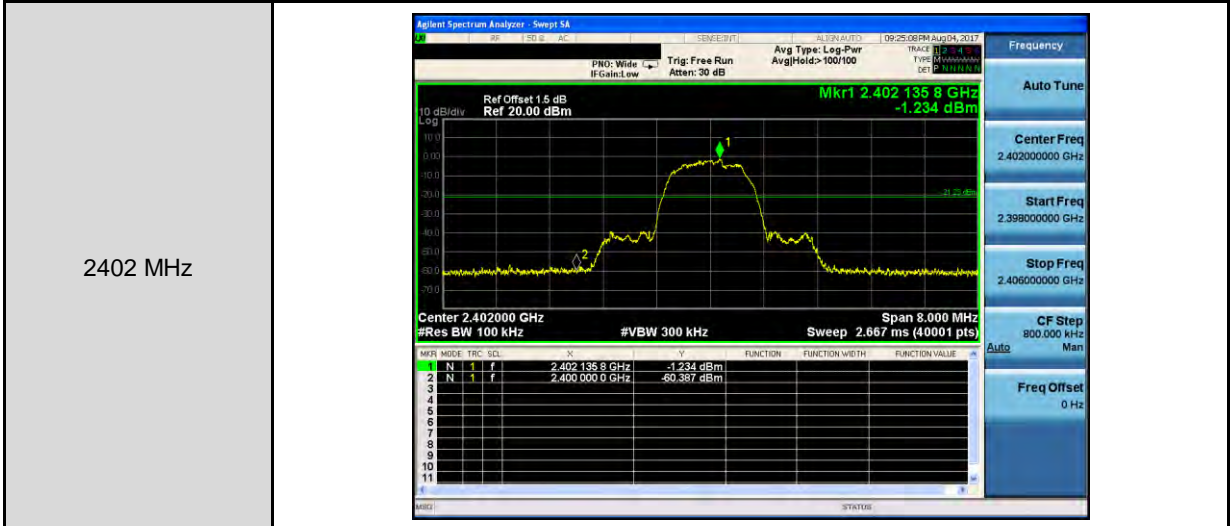
Mode 2: GFSK Continuous TX mode _ Un-hopping



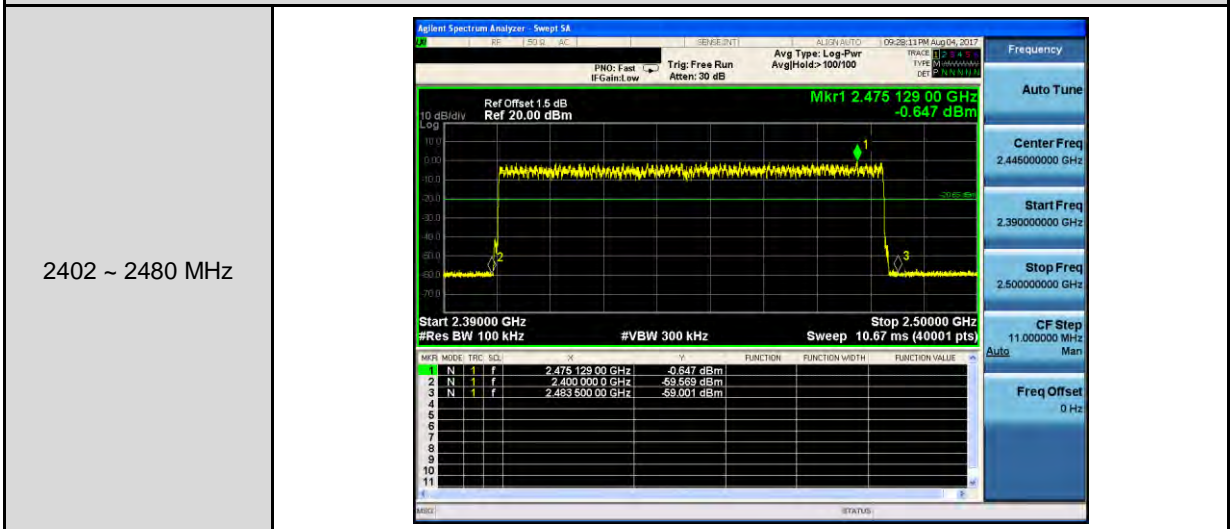
Mode 2: GFSK Continuous TX mode _ Hopping



Mode 4: 8DPSK Continuous TX mode _ Un-hopping



Mode 4: 8DPSK Continuous TX mode _ Hopping





12 Antenna Measurement

■ Limit

For intentional device, according to 15.203, an intentional radiator shall be designed to ensure that no antenna other than that furnished by the responsible party shall be used with the device.

And According to 15.247 (b)(4), if transmitting antennas of directional gain greater than 6 dBi are used, the power shall be reduced by the amount in dB that the directional gain of the antenna exceeds 6dBi.

■ Antenna Connector Construction

See section 2 – antenna information.