

Final View

Notes:

- Material: 0.005" Thick Velvet Polycarbonate
 0.003" Thick White Barrier w/Adhesive
 (General Formulations PPS2W-STC-OL/53# or Equivalent)
 0.002" Thick 3M 200 Acrylic Adhesive (Typical 3M #467)
 Outside of dotted area only.

Final Thickness: 0.011" ± 0.002"

2. Colors:

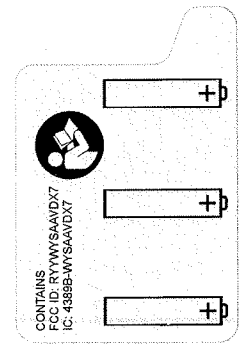
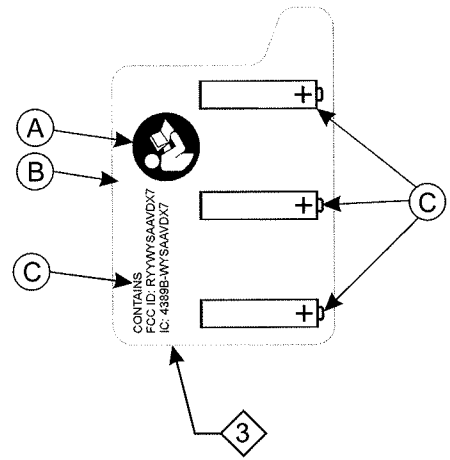
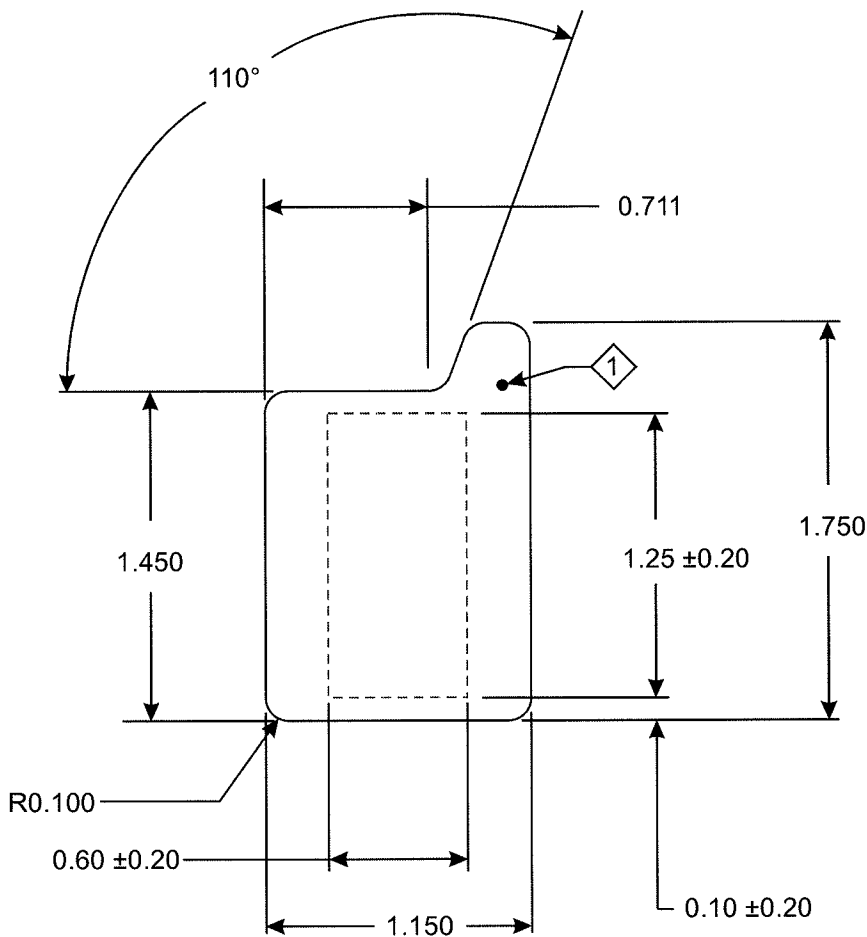
- (A) Blue - PMS 661
- (B) Light Gray - PMS Cool Gray 1
- (C) Black 3x

(3) Lines depicting label borders are for reference only and should not appear on finished copy.

Dimensions in Inches

Tolerance: +/-0.010 unless otherwise noted.

"ELECTRONIC ORIGINAL" Any Changes To This Document Done Manually Void The Data Base Original.		CONFIDENTIAL This print and the design therein represented are the property of Mortara Instrument, Incorporated, and may not be used in any manner detrimental to its interest. This print has been issued with the understanding that it will not be reproduced, that no disclosure of its contents will be made to others, that it will not be used for manufacture for others, and will be returned upon request.	Mortara INSTRUMENT 7865 N. 86th STREET, MILWAUKEE, WI 53224 TEL. 414-354-1600	
DRAWN BY: GRZinda	DATE: 08/30/2013		TITLE: LABEL BATTERY SURVEYOR S4	
DOCUMENTATION CHECKED BY:	DATE:		LATEST DOCUMENT CHANGE:	
ENGINEERING APPROVED BY:	DATE:		DR: 1	
MANUFACTURING APPROVED BY:	DATE:		ECO: 8185	
Q.A. APPROVED BY:	DATE:		DATE: 09/16/13	
OTHER:	DATE:		BY: GRZinda	
		SCALE: NTS	PART NUMBER: 9042-082-10	REV: A1
		SHEET 1 OF 1		



Final View

Notes:

- Material: 0.005" Thick Velvet Polycarbonate
 0.003" Thick White Barrier w/Adhesive
 (General Formulations PPS2W-STC-OL/53# or Equivalent)
 ① 0.002" Thick 3M 200 Acrylic Adhesive (Typical 3M #467)
 Outside of dotted area only.

Final Thickness: 0.011" ± 0.002"

2. Colors:

- Ⓐ Blue - PMS 661
- Ⓑ Light Gray - PMS Cool Gray 1
- Ⓒ Black 3x

③ Lines depicting label borders are for reference only and should not appear on finished copy.

Dimensions in Inches
 Tolerance: +/-0.010 unless otherwise noted.

"ELECTRONIC ORIGINAL" Any Changes To This Document Done Manually Void The Data Base Original.		CONFIDENTIAL This print and the design therein represented are the property of Mortara Instrument, Incorporated, and may not be used in any manner detrimental to its interest. This print has been issued with the understanding that it will not be reproduced, that no disclosure of its contents will be made to others, that it will not be used for manufacture for others, and will be returned upon request.	Mortara INSTRUMENT 7865 N. 86th STREET, MILWAUKEE, WI 53224 TEL. 414-354-1600	
DRAWN BY: GRZinda	DATE: 08/30/2013		TITLE: LABEL BATTERY SURVEYOR S4	
DOCUMENTATION CHECKED BY: <i>[Signature]</i>	DATE: 9/21/13		LATEST DOCUMENT CHANGE:	
ENGINEERING APPROVED BY: <i>[Signature]</i>	DATE: 9/30/13		DR: 1	ECO: 8185
MANUFACTURING APPROVED BY: <i>[Signature]</i>	DATE: 9/30/13		DATE: 09/16/13	BY: GRZinda
Q.A. APPROVED BY: <i>[Signature]</i>	DATE: 9/30/13		PART NUMBER: 9042-082-10	
OTHER:	DATE:	REV: A1		
		SCALE: NTS	SHEET 1 OF 1	

ORIGINAL