

Bluetooth Antenna Specification

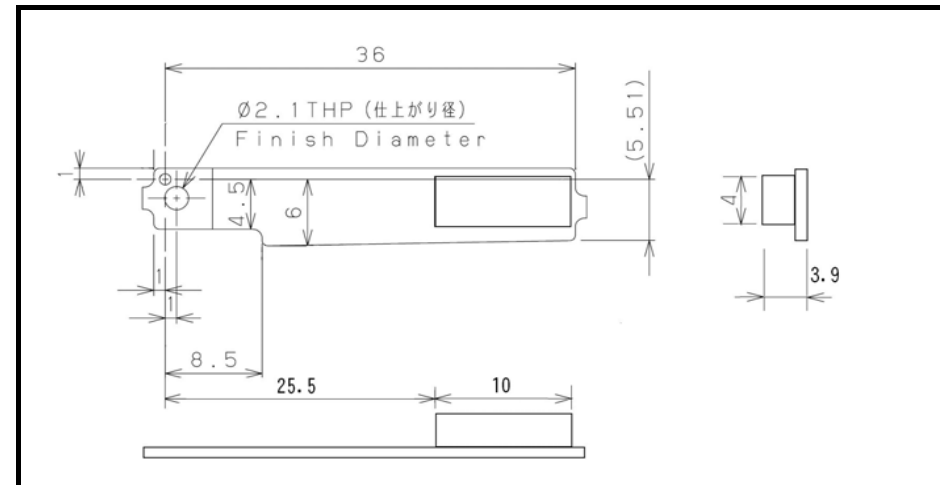
2006.1.4
FUJITSU Limited

■ Model: CP268976-01

■ Appearance:



■ Dimension:



■ Features:

Impedance

50 Ω

Frequency Band

2400~2500MHz

■ MAX Gain: -0.22dBi

■ VSWR: 1.51

To : FUJITSU LIMITED

Application : For Bluetooth

Measurement Institution : Yokowo No.3 Radio Measuring Site

Antenna Model : YCE-5250

Date : 2005/12/02

Measurement Condition : ECRU Disp.-Open

Measured by : M.Matsuzaki

Antenna Matching : Non

Correction of Cable Loss : Non (include Loss 0.55dB)

f=2400MHz

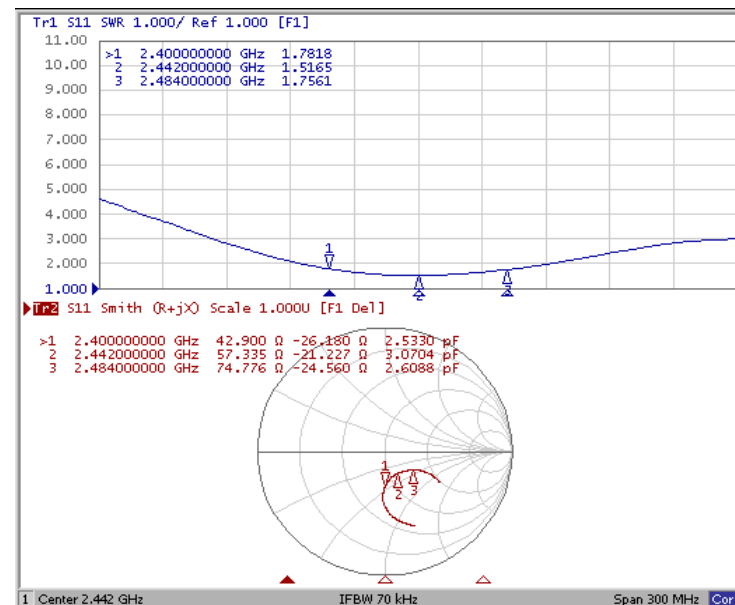
Plane	Tx	Peak. Gain [dBi]	Avg. Gain [dBi]	Tx H & V Avg. [dBi]	Each Freq. Avg. [dBi]
X-Y	Horizontal	-2.89	-8.36	-8.88	-7.57
	Vertical	-4.55	-9.48		
Z-Y	Horizontal	-0.50	-5.10	-6.90	
	Vertical	-2.39	-10.01		
Z-X	Horizontal	-1.11	-7.19	-7.17	
	Vertical	-3.28	-7.16		

X-Y Plane All Avg. (All Freq.)	-7.9 dBi
Z-Y Plane All Avg. (All Freq.)	-7.3 dBi
Z-X Plane All Avg. (All Freq.)	-6.7 dBi
All Plane & All Freq. Avg.	-7.3 dBi

f=2442MHz

Plane	Tx	Peak. Gain [dBi]	Avg. Gain [dBi]	Tx H & V Avg. [dBi]	Each Freq. Avg. [dBi]
X-Y	Horizontal	-0.49	-6.70	-7.27	-6.77
	Vertical	-2.58	-7.93		
Z-Y	Horizontal	-0.70	-5.36	-6.95	
	Vertical	-2.99	-9.48		
Z-X	Horizontal	-0.43	-6.13	-6.15	
	Vertical	-1.88	-6.18		

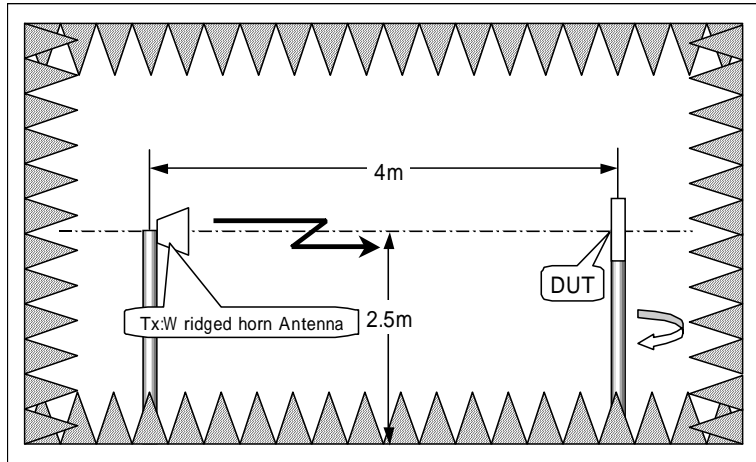
VSWR



f=2484MHz

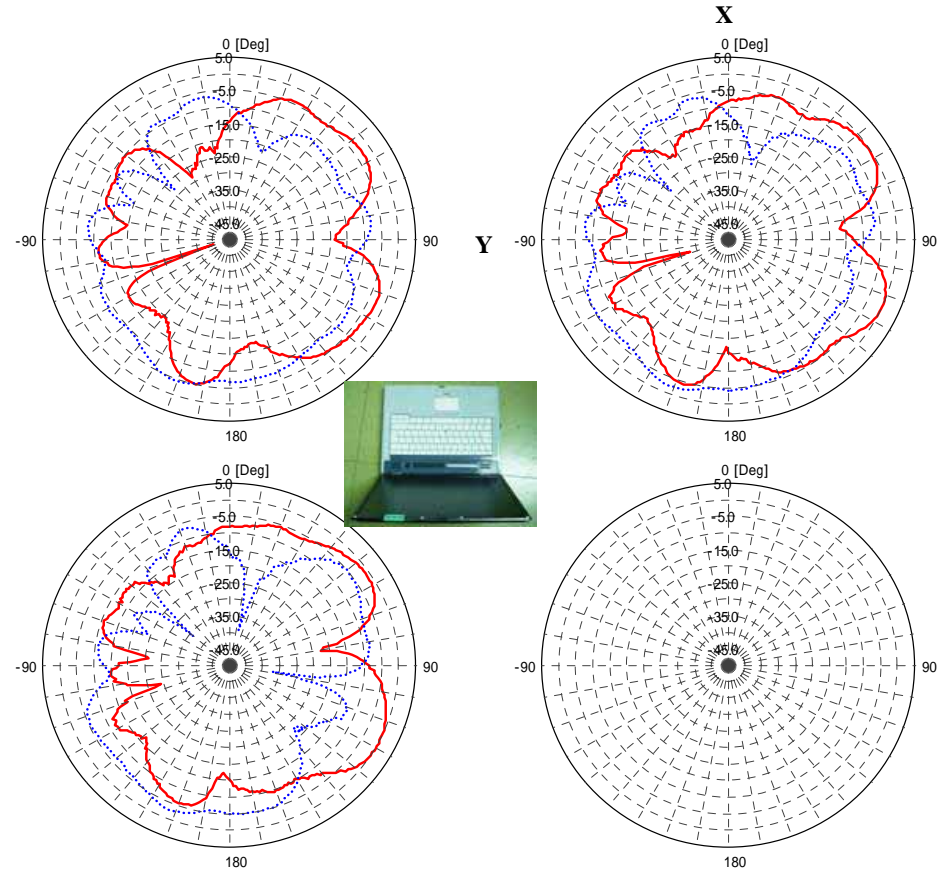
Plane	Tx	Peak. Gain [dBi]	Avg. Gain [dBi]	Tx H & V Avg. [dBi]	Each Freq. Avg. [dBi]
X-Y	Horizontal	-0.29	-6.99	-7.73	-7.50
	Vertical	-3.02	-8.63		
Z-Y	Horizontal	-2.87	-6.76	-8.06	
	Vertical	-4.72	-9.91		
Z-X	Horizontal	-0.22	-6.55	-6.81	
	Vertical	-2.25	-7.09		

Measurement Condition



Field Pattern X-Y Plane

All AVG. -7.91[dBi]
All MAX. AVG. -2.05[dBi]



Antenna Coordinated



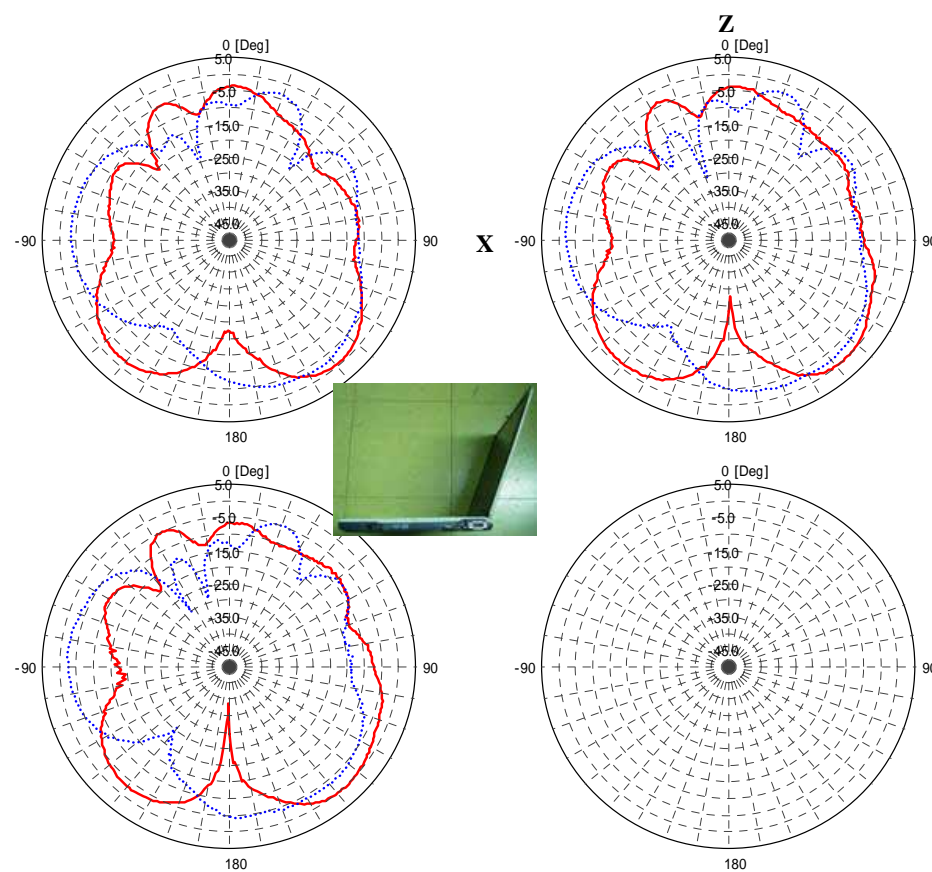
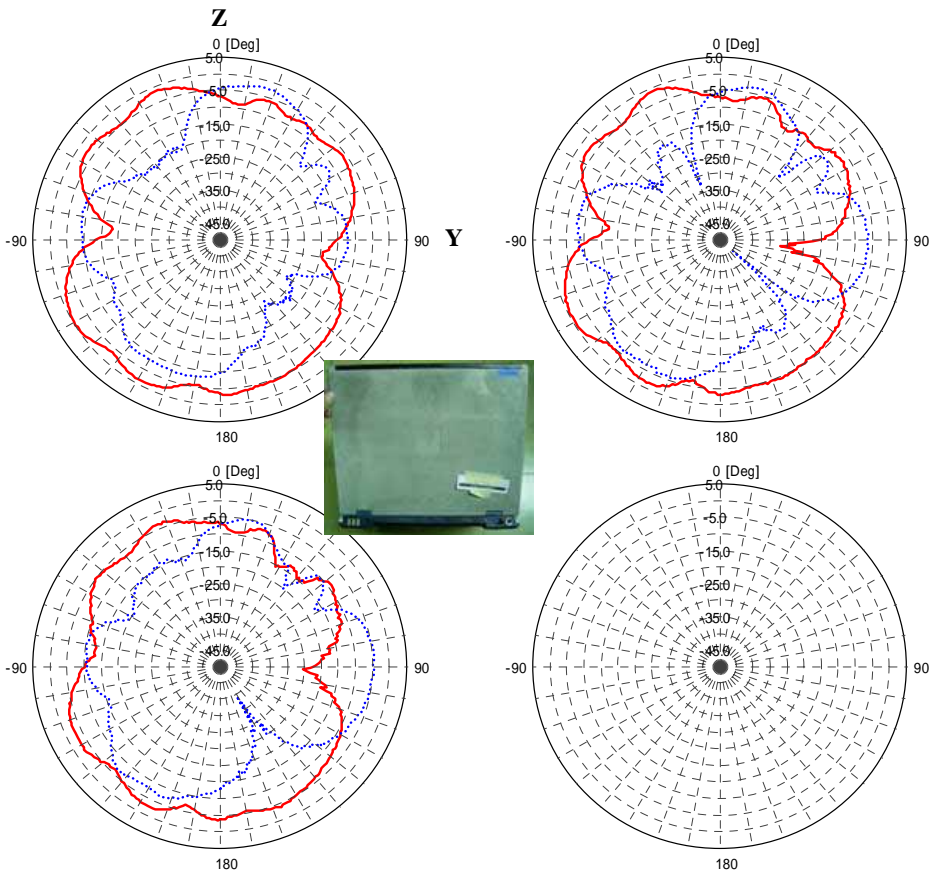
Line	No.	Frequency[MHz]	MEMO	MAX. Gain[dBi]	AVG. Gain[dBi]
1	—	2400.00	Horizontal	-2.89	-8.36
2	—	2442.00		-0.49	-6.70
3	—	2484.00		-0.29	-6.99
4	2400.00	Vertical	-4.55	-9.48
5	2442.00		-2.58	-7.93
6	2484.00		-3.02	-8.63

Field Pattern Z-Y Plane

Field Pattern Z-X Plane

All AVG. -7.27[dBi]
All MAX. AVG. -2.13[dBi]

All AVG. -6.69[dBi]
All MAX. AVG. -1.40[dBi]



	Line	No.	Frequency[MHz]	MEMO	MAX. Gain[dBi]	AVG. Gain[dBi]
1			2400.00	Horizontal	-0.50	-5.10
2			2442.00		-0.70	-5.36
3			2484.00		-2.87	-6.76
4			2400.00	Vertical	-2.39	-10.01
5			2442.00		-2.99	-9.48
6			2484.00		-4.72	-9.91

	Line	No.	Frequency[MHz]	MEMO	MAX. Gain[dBi]	AVG. Gain[dBi]
1			2400.00	Horizontal	-1.11	-7.19
2			2442.00		-0.43	-6.13
3			2484.00		-0.22	-6.55
4			2400.00	Vertical	-3.28	-7.16
5			2442.00		-1.88	-6.18
6			2484.00		-2.25	-7.09