

To : FUJITSU LIMITED

Application : For Bluetooth

Measurement Institution : Yokowo No.3 Radio Measuring Site

Antenna Model : YCE-5250

Date : 2005/02/24

Measurement Condition : GROSSO Disp.-Open

Measured by : M.Yamada

Antenna Matching : Non

Cable Loss : Include Loss 0.8dB

f=2400MHz

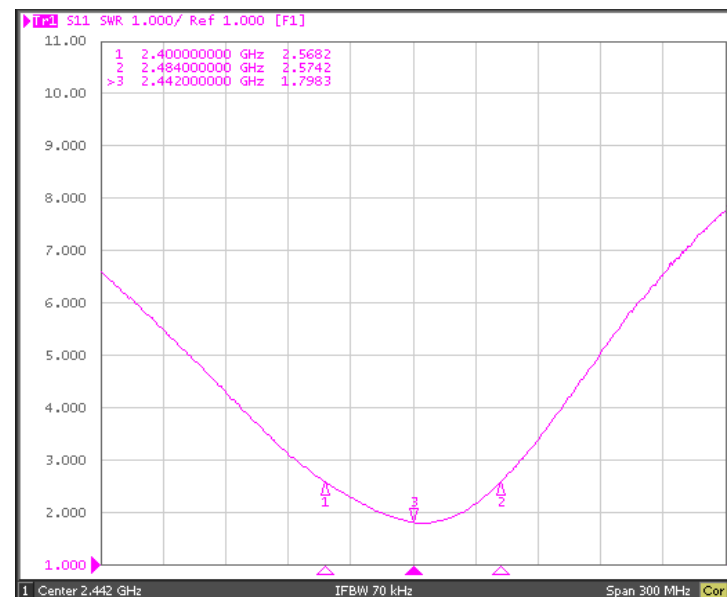
Plane	Tx	Peak. Gain [dBi]	Avg. Gain [dBi]	Tx H & V Avg. [dBi]	Each Freq. Avg. [dBi]
X-Y	Horizontal	-2.45	-5.70	-7.19	-7.84
	Vertical	-3.84	-9.47		
Y-Z	Horizontal	-5.67	-11.85	-9.35	
	Vertical	-1.57	-7.77		
Z-X	Horizontal	0.42	-7.23	-7.29	
	Vertical	-3.02	-7.36		

X-Y Plane All Avg. (All Freq.)	-6.5 dBi
Y-Z Plane All Avg. (All Freq.)	-8.2 dBi
Z-X Plane All Avg. (All Freq.)	-6.8 dBi
All Plane & All Freq. Avg.	-7.1 dBi

f=2442MHz

Plane	Tx	Peak. Gain [dBi]	Avg. Gain [dBi]	Tx H & V Avg. [dBi]	Each Freq. Avg. [dBi]
X-Y	Horizontal	-0.57	-4.21	-5.90	-6.42
	Vertical	-3.64	-8.72		
Y-Z	Horizontal	-4.64	-10.37	-7.56	
	Vertical	0.92	-5.87		
Z-X	Horizontal	2.78	-5.62	-5.99	
	Vertical	-1.56	-6.39		

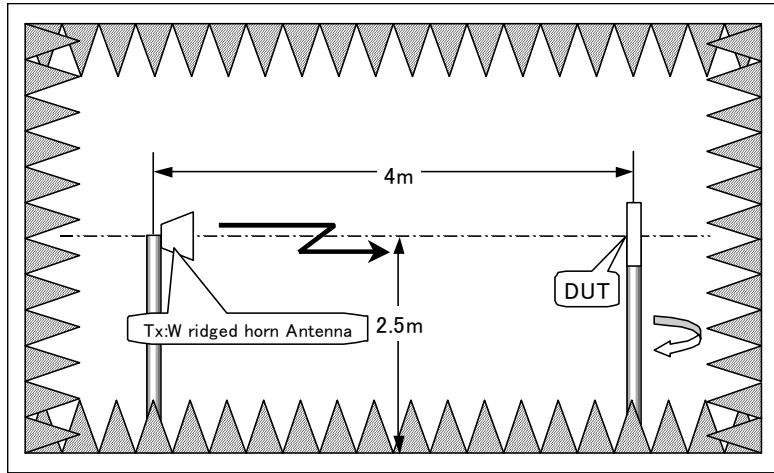
VSWR



f=2484MHz

Plane	Tx	Peak. Gain [dBi]	Avg. Gain [dBi]	Tx H & V Avg. [dBi]	Each Freq. Avg. [dBi]
X-Y	Horizontal	-0.99	-4.86	-6.62	-7.23
	Vertical	-5.28	-9.63		
Y-Z	Horizontal	-4.37	-10.60	-7.77	
	Vertical	0.47	-6.07		
Z-X	Horizontal	1.37	-6.87	-7.38	
	Vertical	-2.65	-7.95		

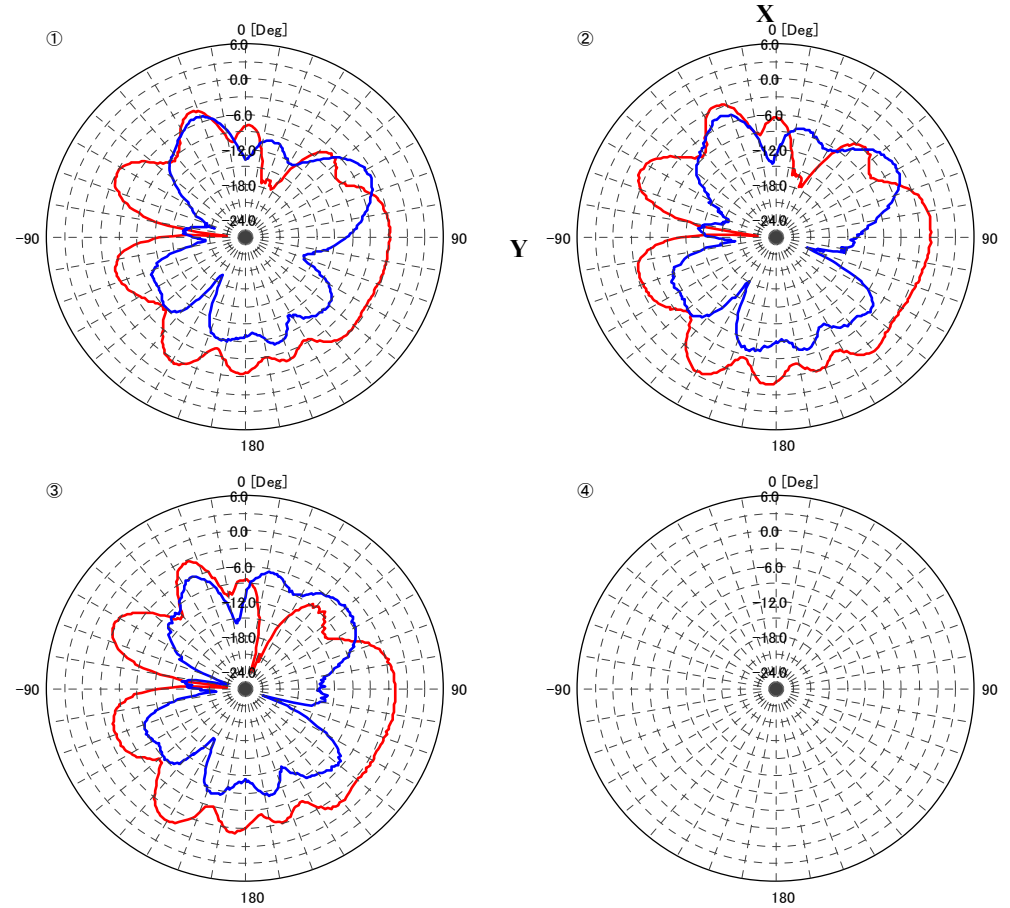
Measurement Condition



Field Pattern X-Y Plane

050224_GROSSO-BT002.ant
 Yamada
 05年02月24日
 Fujitsu-GROSSO Open X-Y

All AVG. -6.54[dBi]
 All MAX. AVG. -2.49[dBi]



Antenna Coordinated



Line	No.	Frequency[MHz]	MEMO	MAX. Gain[dBi]	AVG. Gain[dBi]
1	①	2400.00	Tx-H	-2.45	-5.70
2	①	2400.00	Tx-V	-3.84	-9.47
3	②	2442.00	Tx-H	-0.57	-4.21
4	②	2442.00	Tx-V	-3.64	-8.72
5	③	2484.00	Tx-H	-0.99	-4.86
6	③	2484.00	Tx-V	-5.28	-9.63

Field Pattern Y-Z Plane

050224_GROSSO-BT006.ant

Yamada

05年02月24日

Fujitsu-GROSSO Open Y-Z

All AVG. -8.16[dBi]

All MAX. AVG. -1.73[dBi]

Field Pattern Z-X Plane

050224_GROSSO-BT010.ant

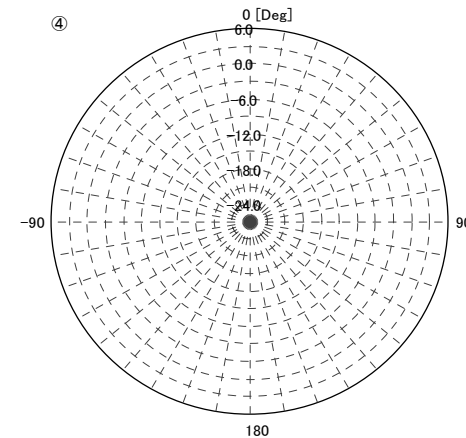
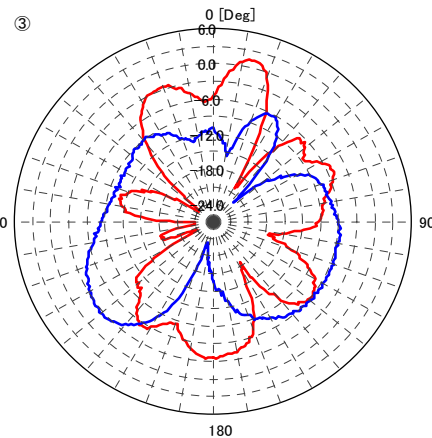
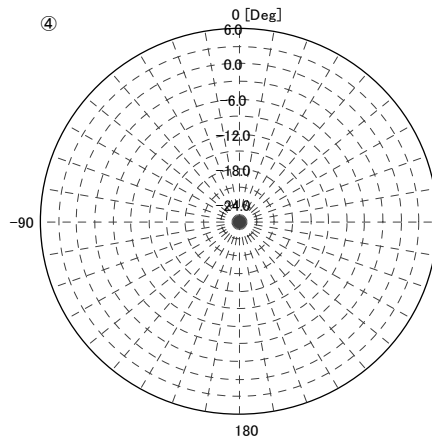
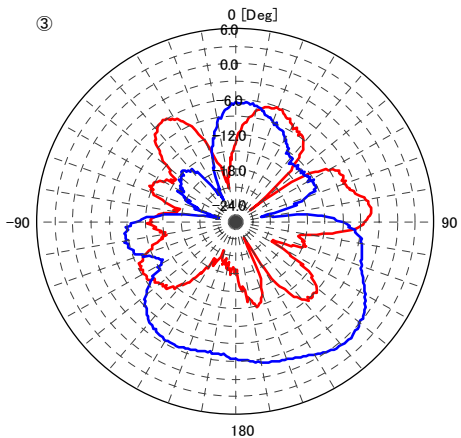
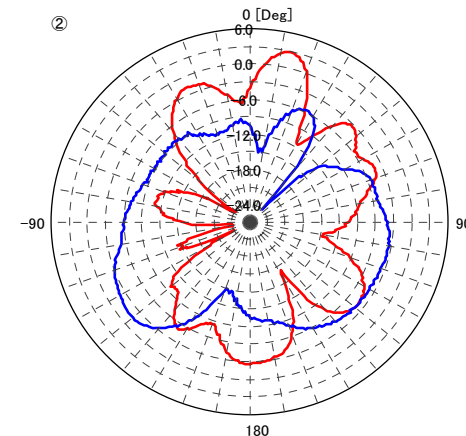
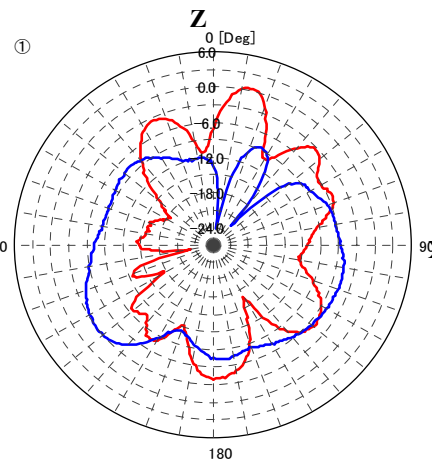
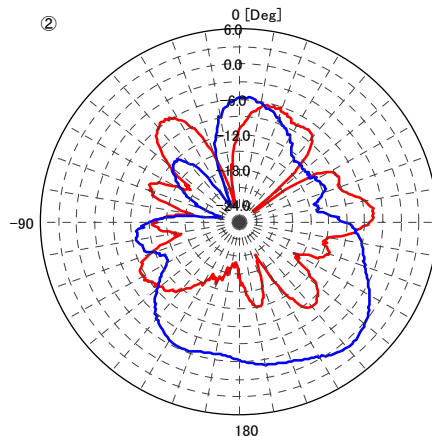
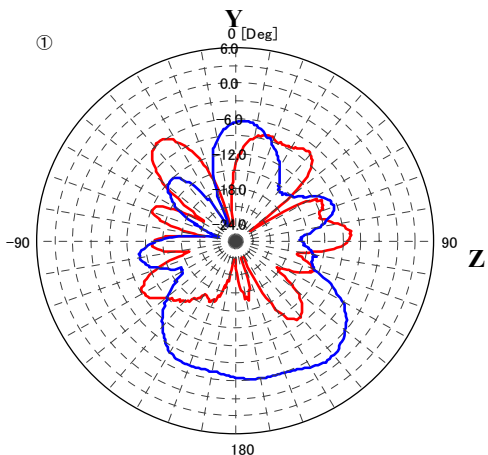
Yamada

05年02月24日

Fujitsu-GROSSO Open Z-X

All AVG. -6.84[dBi]

All MAX. AVG. 0.08[dBi]



Line	No.	Frequency[MHz]	MEMO	MAX. Gain[dBi]	AVG. Gain[dBi]
1	①	2400.00	Tx-H	-5.67	-11.85
2	①	2400.00	Tx-V	-1.57	-7.77
3	②	2442.00	Tx-H	-4.64	-10.37
4	②	2442.00	Tx-V	0.92	-5.87
5	③	2484.00	Tx-H	-4.37	-10.60
6	③	2484.00	Tx-V	0.47	-6.07

Line	No.	Frequency[MHz]	MEMO	MAX. Gain[dBi]	AVG. Gain[dBi]
1	①	2400.00	Tx-H	0.42	-7.23
2	①	2400.00	Tx-V	-3.02	-7.36
3	②	2442.00	Tx-H	2.78	-5.62
4	②	2442.00	Tx-V	-1.56	-6.39
5	③	2484.00	Tx-H	1.37	-6.87
6	③	2484.00	Tx-V	-2.65	-7.95