

Dynamic Frequency Selection

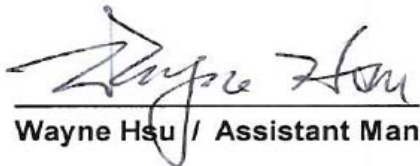
Test Report

Equipment : 802.11abgn, USB module
Brand Name : SparkLAN
Model No. : WUBR-508N
Applicant : SparkLAN Communications, Inc.
Manufacturer : 8F., No. 257, Sec. 2, Tiding Blvd., Neihu District,
Taipei City 11493, Taiwan
FCC ID : RYK-WUBR508N
Test Standard(s) : 47 CFR FCC Part 15 Subpart E § 15.407
Test Freq. Range : 5250~5350 MHz / 5470~5725 MHz
(without 5600~5650MHz)
Submission Type : Original Equipment
Operating Mode : Slave

The product sample received on Mar. 29, 2012 and completely tested on Apr. 20, 2012. We, SPORTON, would like to declare that the tested sample has been evaluated in accordance with the procedures given in FCC OET Order 06-96A (2006) and 47 CFR FCC Part 15 Subpart E § 15.407. The test equipment used to perform the test is calibrated and traceable to NML/ROC.

The test results in this report apply exclusively to the tested model / sample. Without written approval of SPORTON INTERNATIONAL INC., the test report shall not be reproduced except in full.

Reviewed by:


Wayne Hsu / Assistant Manager



SPORTON International Inc.

No. 52, Hwa Ya 1st Rd., Hwa Ya Technology Park, Kwei-Shan Hsiang, Tao Yuan Hsien, Taiwan, R.O.C.

Table of Contents

1 SUMMARY OF THE TEST RESULT4

2 GENERAL INFORMATION.....5

2.1 Standard Requirement.....5

2.2 Product Specification Table5

2.3 Table for DFS Band Carrier Frequencies6

2.4 Supporting Units6

2.5 Test Facility6

3 DFS DETECTION THRESHOLDS AND RADAR TEST WAVEFORMS.....7

3.1 Interference Threshold values, Master or Client incorporating In-Service Monitoring7

3.2 DFS Response requirement values7

3.3 Radar Test Waveforms Minimum Step7

3.4 Short Pulse Radar Test Waveforms8

3.5 Long Pulse Radar Test Waveform9

3.6 Frequency Hopping Radar Test Waveform12

3.7 Conducted Calibration Setup14

3.8 Radar Waveform Calibration Procedure14

3.9 Calibration Deviation14

3.10 Test Setup Diagram15

3.11 Test Setup Operation15

4 IN-SERVICE MONITORING.....22

4.1 For Channel Move Time, Channel Closing Transmission Time and Non-Occupancy Period Measurement22

5 MEASURING INSTRUMENTS.....31

APPENDIX A. TEST PHOTOS.....A2

1 SUMMARY OF THE TEST RESULT

Applied Standard: FCC OET Order 06-96A (2006)			
Part	Appendix	Description of Test	Result
4.2	7.8.3	In-Service Monitoring for Channel Move Time, Channel Closing Transmission Time and Non-Occupancy Period	Complies

Note: Client without radar detection

2 GENERAL INFORMATION

2.1 Standard Requirement

FCC 15.407: U-NII devices operating in the 5250~5350 MHz / 5470~5725 MHz band. The U-NII device is required to have the capability to operate at least 6 dB below the mean EIRP value of 30 dBm. U-NII devices operating in the 5250~5350 MHz / 5470~5725 MHz bands shall employ a DFS radar detection mechanism to detect the presence of radar systems and to avoid co-channel operation with radar systems.

2.2 Product Specification Table

Specification Items	Description
Data Modulation Data Rate (Mbps)	OFDM for IEEE 802.11a (BPSK / QPSK / 16QAM / 64QAM) (6/9/12/18/24/36/48/54) See the below table for IEEE 802.11n
DFS Function	5260~5320 MHz ; 5500~5700 MHz (without 5600~5650MHz)
Operating Mode	Client (without radar detection function)
Communication Mode	IP based system
Power-on cycle	NA (No Channel Availability Check Function)
MAC Address	00:0E:8E:63:89:35
Software Version	Ver 3.2.4.0

IEEE 802.11n Modulation Scheme

MCS Index	Spatial Streams	Modulation Type	Coding Rate Type	Data rate(Mbps)			
				20 MHz channel		40 MHz channel	
				800nsGI	400nsGI	800nsGI	400nsGI
0	1	BPSK	1/2	6.5	7.2	13.5	15
1	1	QPSK	1/2	13	14.4	27	30
2	1	QPSK	3/4	19.5	21.7	40.5	45
3	1	16-QAM	1/2	26	28.9	54	60
4	1	16-QAM	3/4	39	43.3	81	90
5	1	64-QAM	2/3	52	57.8	108	120
6	1	64-QAM	3/4	58.5	65	121.5	135
7	1	64-QAM	5/6	65	72.2	135	150
8	2	BPSK	1/2	13	14.4	27	30
9	2	QPSK	1/2	26	28.8	54	60
10	2	QPSK	3/4	39	43.4	81	90
11	2	16-QAM	1/2	52	57.8	108	120
12	2	16-QAM	3/4	78	86.6	162	180
13	2	64-QAM	2/3	104	115.6	216	240
14	2	64-QAM	3/4	117	130	243	270
15	2	64-QAM	5/6	130	144.4	270	300

Symbol	Explanation
NSS	Number of spatial streams
R	Code rate
NBPS	Number of coded bits per single carrier
NCBPS	Number of coded bits per symbol
NDBPS	Number of data bits per symbol
GI	guard interval

2.3 Table for DFS Band Carrier Frequencies

DFS Band Carrier Frequencies

Frequency Band	Channel No.	Frequency (20MHz)	Channel No.	Frequency (40MHz)
5250~5350 MHz Band 2	52	5260 MHz	54	5270
	56	5280 MHz	62	5310
	60	5300 MHz	-	-
	64	5320 MHz	-	-

Frequency Band	Channel No.	Frequency (20MHz)	Channel No.	Frequency (40MHz)
5470~5725 MHz Band 3	100	5500 MHz	102	5510
	104	5520 MHz	110	5550
	108	5540 MHz	118	5590
	112	5560 MHz	134	5670
	116	5580 MHz	-	-
	132	5660 MHz	-	-
	136	5680 MHz	-	-
	140	5700 MHz	-	-

2.4 Supporting Units

Support Unit	Brand	Model No.	Serial No.	Software Version
Notebook PC	DELL	Latitude E5510	N/A	Win 7 Pro SP1
Notebook PC	HP Compaq	Presario B1251TU	N/A	Win XP Pro SP3
Access Point	3Com	WL-605	FCC ID: O9C-WL605	WP741_normal_v18.WW

2.5 Test Facility

Test Site No.	Test Site Location
DFS01-HY	No. 52, Hwa Ya 1 st Rd., Hwa Ya Technology Park, Kwei-Shan Hsiang, Tao Yuan Hsien, Taiwan, R.O.C. TEL: 886-3-327-3456 FAX: 886-3-318-0055

3 DFS DETECTION THRESHOLDS AND RADAR TEST WAVEFORMS

3.1 Interference Threshold values, Master or Client incorporating In-Service Monitoring

Maximum Transmit Power	Value (see note)
≥ 200 milliwatt	-64 dBm
< 200 milliwatt	-62 dBm

Note 1: This is the level at the input of the receiver assuming a 0 dBi receive antenna.
 Note 2: Throughout these test procedures an additional 1 dB has been added to the amplitude of the test transmission waveforms to account for variations in measurement equipment. This will ensure that the test signal is at or above the detection threshold level to trigger a DFS response.

There is an AP (WL-605 [FCC ID: O9C-WL605]) for DFS test. This AP has 20MHz and 40MHz bandwidth mode. The radar Detection Threshold, lowest antenna gain is the parameter of Interference radar DFS detection threshold, The Interference Detection Threshold is the (-64dBm) + (2) [dBi]. Minimum antenna gain is 3CWE590 (5 GHz, 2.0 dBi Monopole). This antenna was used to set the threshold level (-64dBm + 2.0dBi +1 dB) during calibration of the test setup.

3.2 DFS Response requirement values

Parameter	Value
<i>Non-occupancy period</i>	Minimum 30 minutes
<i>Channel Availability Check Time</i>	60 seconds
<i>Channel Move Time</i>	10 seconds See Note 1.
<i>Channel Closing Transmission Time</i>	200 milliseconds + an aggregate of 60 milliseconds over remaining 10 second periods. See Notes 1/ 2.
<i>U-NII Detection Bandwidth</i>	Minimum 80% of the 99% power bandwidth See Note 3.

Note 1: The instant that the *Channel Move Time* and the *Channel Closing Transmission Time* begins is as follows:

- For the Short pulse radar Test Signals this instant is the end of the *Burst*.
- For the Frequency Hopping radar Test Signal, this instant is the end of the last radar *Burst* generated.
- For the Long Pulse radar Test Signal this instant is the end of the 12 second period defining the radar transmission.

Note 2: The *Channel Closing Transmission Time* is comprised of 200 milliseconds starting at the beginning of the *Channel Move Time* plus any additional intermittent control signals required facilitating *Channel* changes (an aggregate of 60 milliseconds) during the remainder of the 10 second period. The aggregate duration of control signals will not count quiet periods in between transmissions.

Note 3: During the *U-NII Detection Bandwidth* detection test, radar type 1 is used and for each frequency step the minimum percentage of detection is 90%. Measurements are performed with no data traffic.

3.3 Radar Test Waveforms Minimum Step

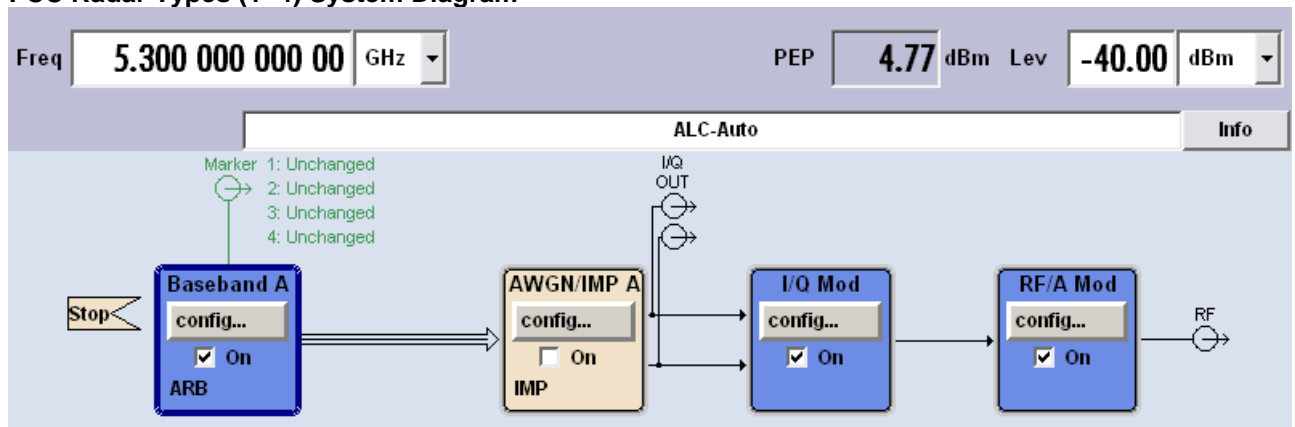
Step intervals of 0.1 microsecond for Pulse Width, 1 microsecond for PRI, 1 MHz for chirp width and 1 for the number of pulses will be utilized for the random determination of specific test waveforms.

3.4 Short Pulse Radar Test Waveforms

Radar Type	Pulse Width (µsec)	PRI (µsec)	Number of Pulses	Minimum Percentage of Successful Detection	Minimum Trials
1	1	1428	18	60%	30
2	1-5	150-230	23-29	60%	30
3	6-10	200-500	16-18	60%	30
4	11-20	200-500	12-16	60%	30
Aggregate (Radar Types 1-4)				80%	120

A minimum of 30 unique waveforms are required for each of the short pulse radar types 2 through 4. For short pulse radar type 1, the same waveform is used a minimum of 30 times. If more than 30 waveforms are used for short pulse radar types 2 through 4, then each additional waveform must also be unique and not repeated from the previous waveforms. The aggregate is the average of the percentage of successful detections of short pulse radar types 1-4.

FCC Radar Types (1~4) System Diagram



Used R&S SMU200A (Vector SG with one ARB) or SG + ARB
 B11: Base-band Generator with ARB (16 M samples) and Digital Modulation
 B13: Base-band Main Module
 B106: frequency range (100 kHz to 6 GHz)
 For selecting the waveform parameters from within the bounds of the signal type, system were random selection using uniform distribution.

3.5 Long Pulse Radar Test Waveform

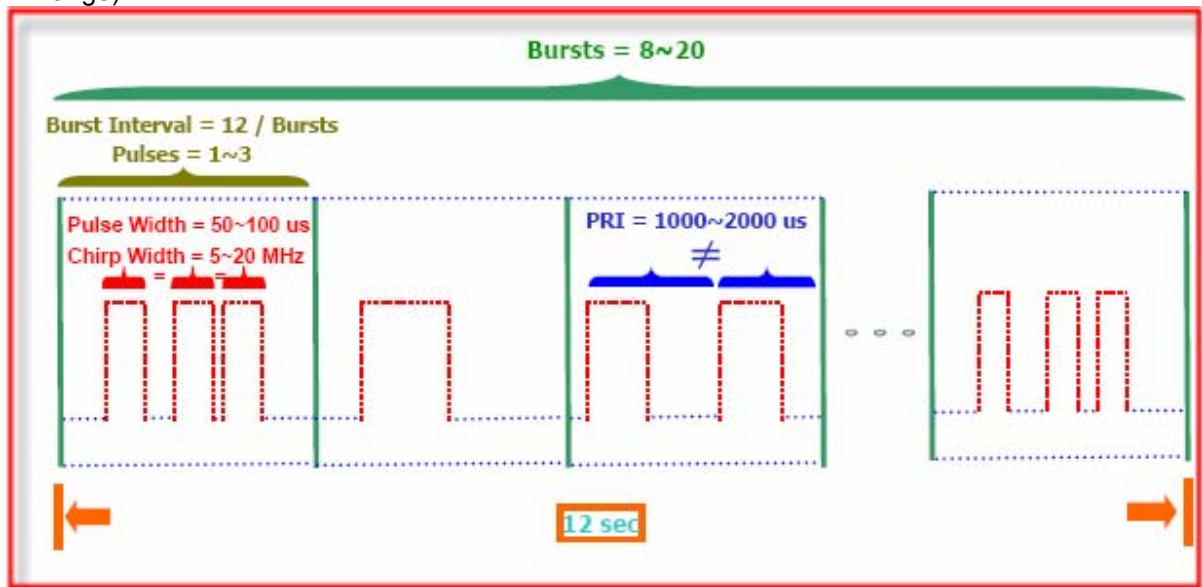
Radar Type	Pulse Width (μsec)	Chirp Width (MHz)	PRI (μsec)	Number of Pulses per Burst	Number of Bursts	Minimum Percentage of Successful Detection	Minimum Trials
5	50-100	5-20	1000-2000	1-3	8-20	80%	30

The parameters for this waveform are randomly chosen. Thirty unique waveforms are required for the Long Pulse radar test signal. If more than 30 waveforms are used for the Long Pulse radar test signal, then each additional waveform must also be unique and not repeated from the previous waveforms. Each waveform is defined as follows:

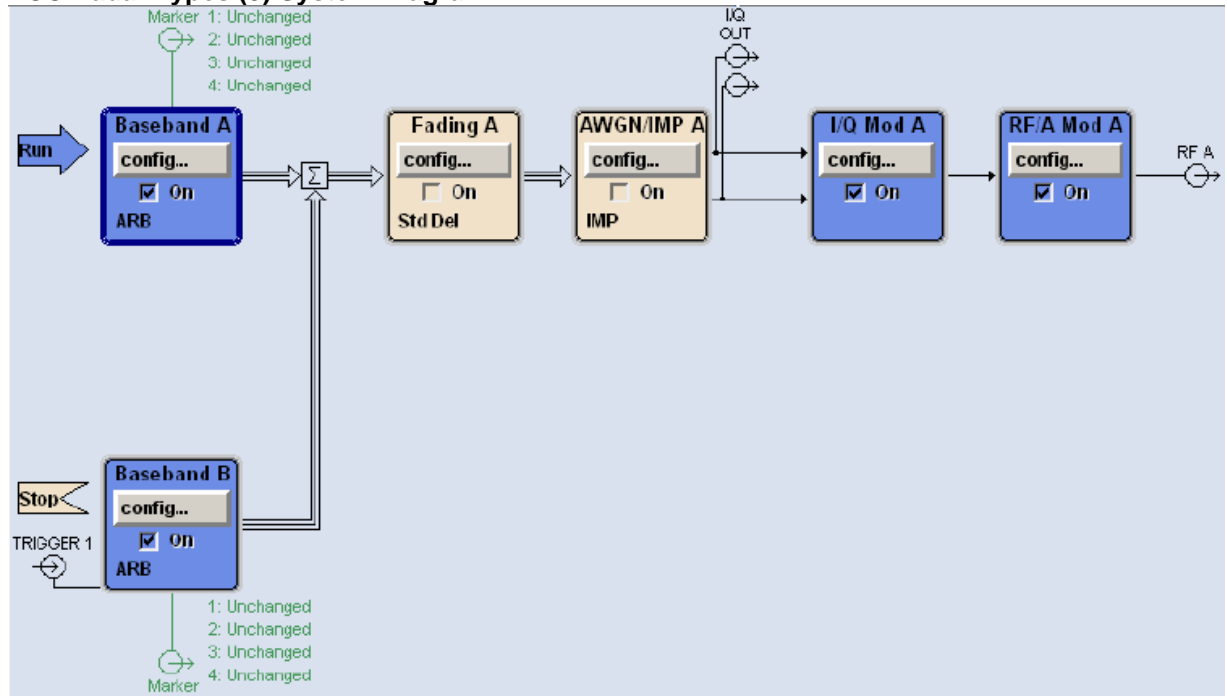
- (1) The transmission period for the Long Pulse Radar test signal is 12 seconds.
- (2) There are a total of 8 to 20 Bursts in the 12 second period, with the number of Bursts being randomly chosen. This number is Burst_Count.
- (3) Each Burst consists of 1 to 3 pulses, with the number of pulses being randomly chosen. Each Burst within the 12 second sequence may have a different number of pulses.
- (4) The pulse width is between 50 and 100 microseconds, with the pulse width being randomly chosen. Each pulse within a Burst will have the same pulse width. Pulses in different Bursts may have different pulse widths.
- (5) Each pulse has a linear FM chirp between 5 and 20 MHz, with the chirp width being randomly chosen. Each pulse within a Burst will have the same chirp width. Pulses in different Bursts may have different chirp widths. The chirp is centered on the pulse. For example, with a radar frequency of 5300 MHz and a 20 MHz chirped signal, the chirp starts at 5290 MHz and ends at 5310 MHz.
- (6) If more than one pulse is present in a Burst, the time between the pulses will be between 1000 and 2000 microseconds, with the time being randomly chosen. If three pulses are present in a Burst, the time between the first and second pulses is chosen independently of the time between the second and third pulses.
- (7) The 12 second transmission period is divided into even intervals. The number of intervals is equal to Burst_Count. Each interval is of length $(12,000,000 / \text{Burst_Count})$ microseconds. Each interval contains one Burst. The start time for the Burst, relative to the beginning of the interval, is between 1 and $[(12,000,000 / \text{Burst_Count}) - (\text{Total Burst Length}) + (\text{One Random PRI Interval})]$ microseconds, with the start time being randomly chosen. The step interval for the start time is 1 microsecond. The start time for each Burst is chosen independently.

A representative example of a Long Pulse radar test waveform:

- (1) The total test signal length is 12 seconds.
- (2) 8 Bursts are randomly generated for the Burst_Count.
- (3) Burst 1 has 2 randomly generated pulses.
- (4) The pulse width (for both pulses) is randomly selected to be 75 microseconds.
- (5) The PRI is randomly selected to be at 1213 microseconds.
- (6) Bursts 2 through 8 are generated using steps 3 – 5.
- (7) Each Burst is contained in even intervals of 1,500,000 microseconds. The starting location for Pulse 1, Burst 1 is randomly generated (1 to 1,500,000 minus the total Burst 1 length + 1 random PRI interval) at the 325,001 microsecond step. Bursts 2 through 8 randomly fall in successive 1,500,000 microsecond intervals (i.e. Burst 2 falls in the 1,500,001 – 3,000,000 microsecond range).



FCC Radar Types (5) System Diagram



Used R&S SMU200A (Vector SG with two ARB)

Path A / Path B Two B11: Base-band Generator with ARB (16 M samples) and Digital Modulation

B13: Base-band Main Module

B106: frequency range (100 kHz to 6 GHz)

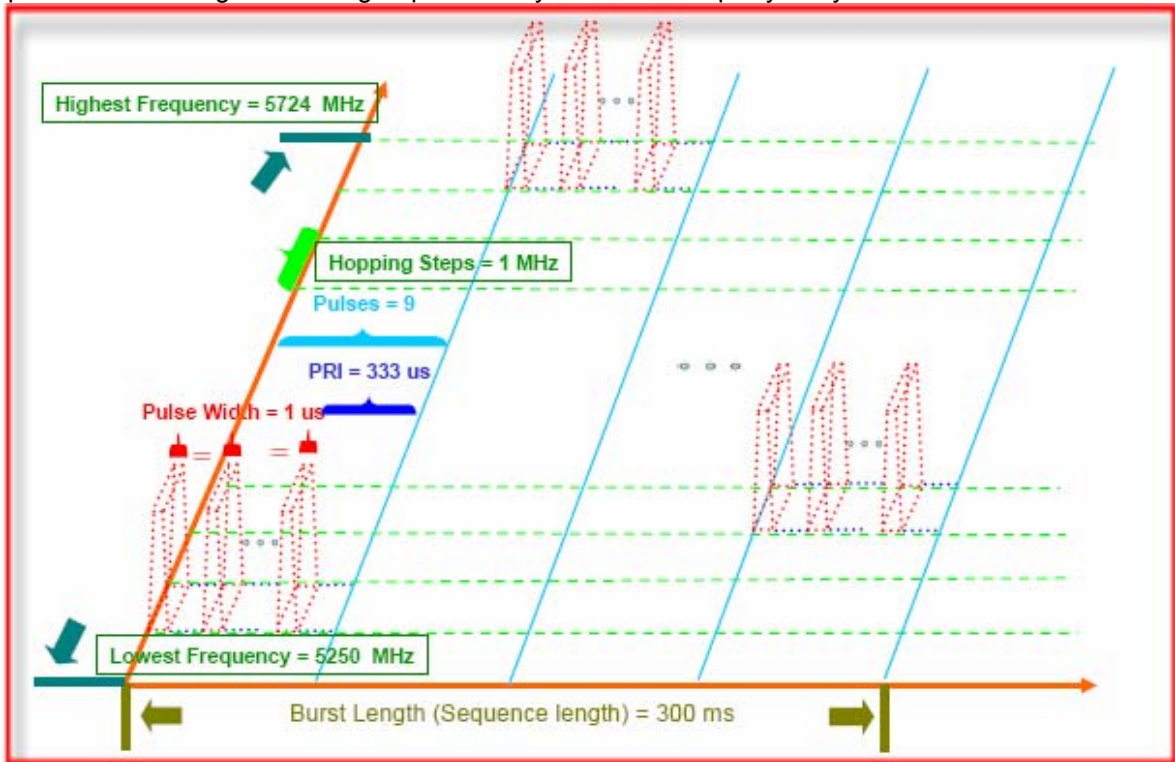
For selecting the waveform parameters from within the bounds of the signal type, system was random selection using uniform distribution.

3.6 Frequency Hopping Radar Test Waveform

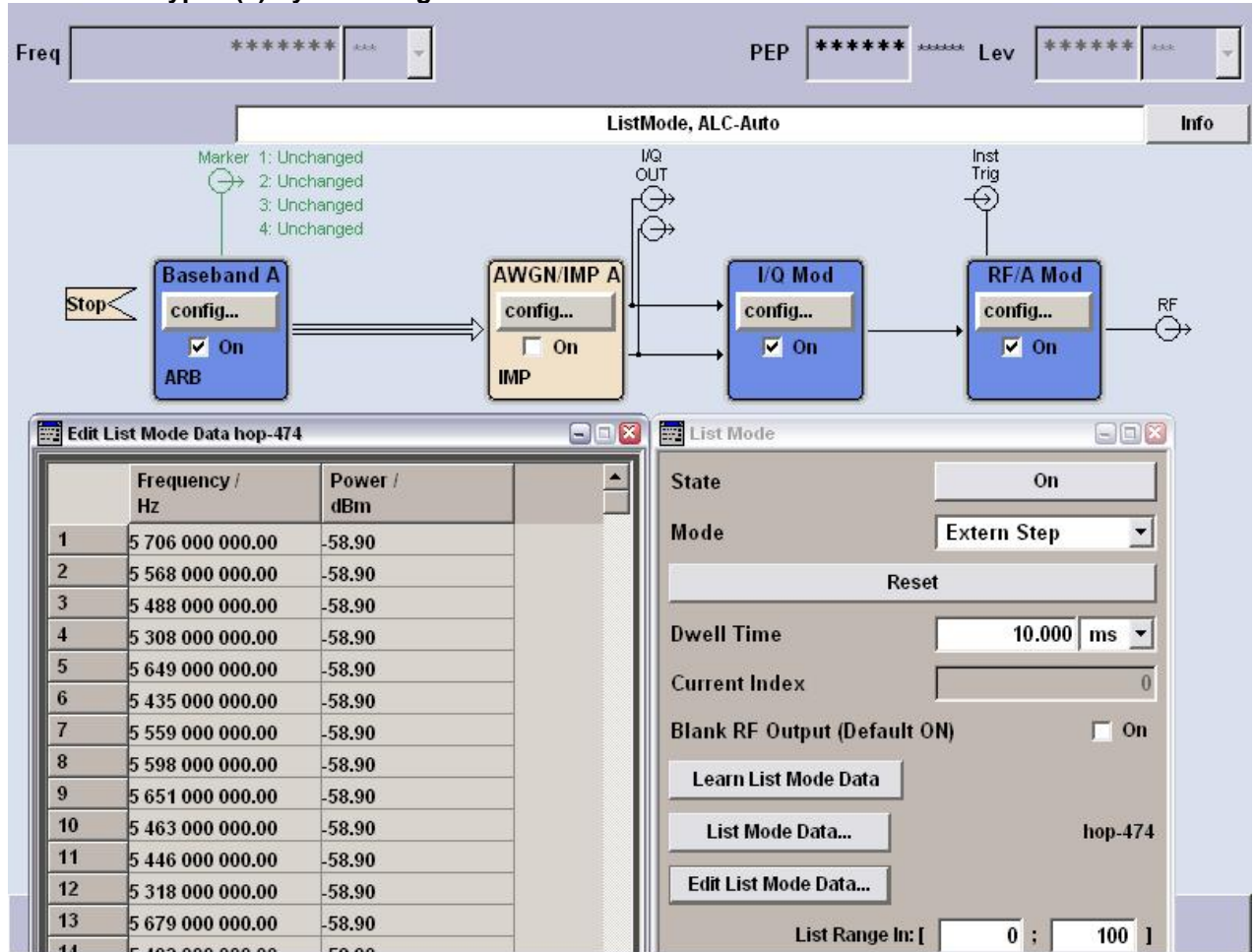
Radar Type	Pulse Width (μsec)	PRI (μsec)	Pulses per Hop	Hopping Rate (kHz)	Hopping Sequence Length (msec)	Minimum Percentage of Successful Detection	Minimum Trials
6	1	333	9	0.333	300	70%	30

For the Frequency Hopping Radar Type, the same Burst parameters are used for each waveform. The hopping sequence is different for each waveform and a 100-length segment is selected from the hopping sequence defined by the following algorithm:

The first frequency in a hopping sequence is selected randomly from the group of 475 integer frequencies from 5470~5725 MHz. Next, the frequency that was just chosen is removed from the group and a frequency is randomly selected from the remaining 474 frequencies in the group. This process continues until all 475 frequencies are chosen for the set. For selection of a random frequency, the frequencies remaining within the group are always treated as equally likely.



FCC Radar Types (6) System Diagram



Used R&S SMU200A (Vector SG with one ARB)

B11: Base-band Generator with ARB (16 M samples) and Digital Modulation

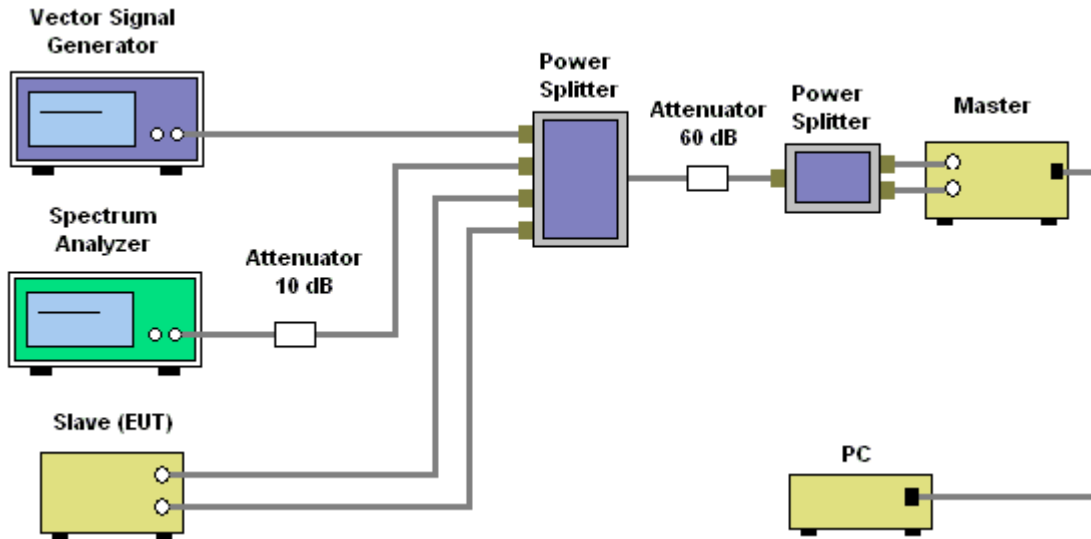
B13: Base-band Main Module

B106: frequency range (100 kHz to 6 GHz)

For selecting the waveform parameters from within the bounds of the signal type, systems were random selection using uniform distribution.

3.7 Conducted Calibration Setup

Slave without Radar Detection Conducted Measurement



3.8 Radar Waveform Calibration Procedure

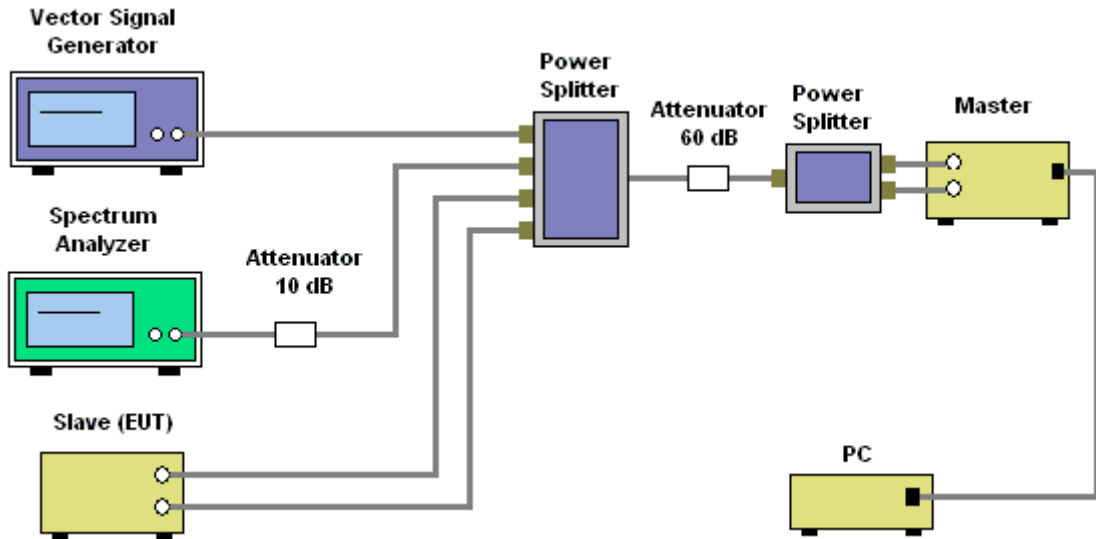
The Interference **Radar Detection Threshold Level** is $(-64\text{dBm} + 2.0\text{dBi} + 1 \text{ dB}) = -61 \text{ dBm}$ that had been taken into account the output power range and antenna gain. The above equipment setup was used to calibrate the conducted Radar Waveform. A vector signal generator was utilized to establish the test signal level for each radar type. During this process there were replace 50ohm terminal form Master and Client device and no transmissions by either the Master or Client Device. The spectrum analyzer was switched to the zero spans (Time Domain) at the frequency of the Radar Waveform generator. Peak detection was used. The spectrum analyzer resolution bandwidth (RBW) and video bandwidth (VBW) were set to at least 3 MHz. The vector signal generator amplitude was set so that the power level measured at the spectrum analyzer was -62 dBm . Capture the spectrum analyzer plots on short pulse radar types, long pulse radar type and hopping radar waveform.

3.9 Calibration Deviation

There is no deviation with the original standard.

3.10 Test Setup Diagram

Slave without Radar Detection Conducted Measurement



3.11 Test Setup Operation

System testing was performed with the designated MPEG test file that streams full motion video from the Access Point to the Client in full motion video mode using the media player with the V2.61 Codec package. This file is used by IP based systems for loading the test channel during the In-service compliance testing of the U-NII device.

The waveform parameters from within the bounds of the signal type are selected randomly using uniform distribution.

A spectrum analyzer is used as a monitor to verify that the EUT has vacated the Channel within the (Channel Closing Transmission Time and Channel Move Time, and does not transmit on a Channel during the Non-Occupancy Period after the detection and Channel move.

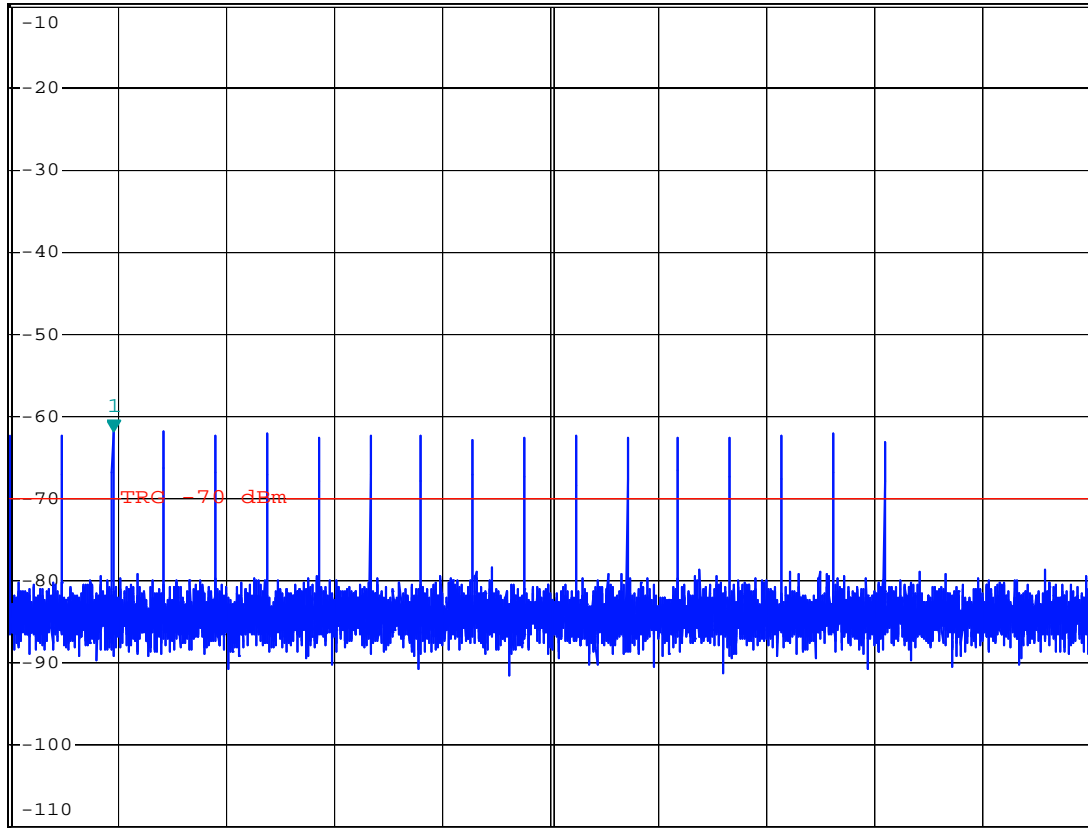
Radar #1 DFS detection threshold level and the burst of pulses on the Channel frequency
Frequency (20MHz)
5500 MHz



MARKER 1
2.85375 ms
Ref -10 dBm *Att 0 dB

RBW 1 MHz Marker 1 [T1]
*VBW 1 MHz -61.72 dBm
SWT 30 ms 2.853750 ms

1 AP
CLRWR



Center 5.5 GHz 3 ms/

Date: 18.APR.2012 21:52:01

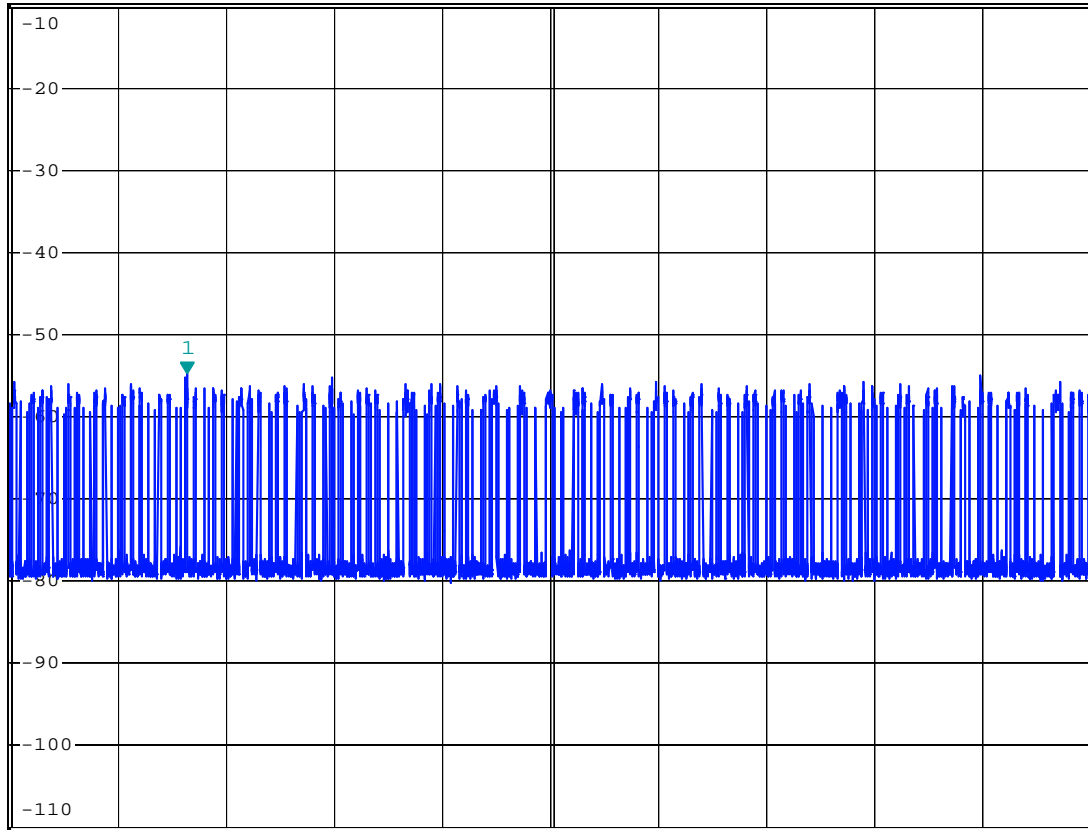
Master (AP) Data Traffic Plot 5500 MHz



MARKER 1
1.971 s
Ref -10 dBm *Att 0 dB

RBW 1 MHz Marker 1 [T1]
*VBW 1 MHz -54.77 dBm
SWT 12 s 1.971000 s

1 AP
CLRWR



Center 5.5 GHz 1.2 s/

Date: 19.APR.2012 20:18:31

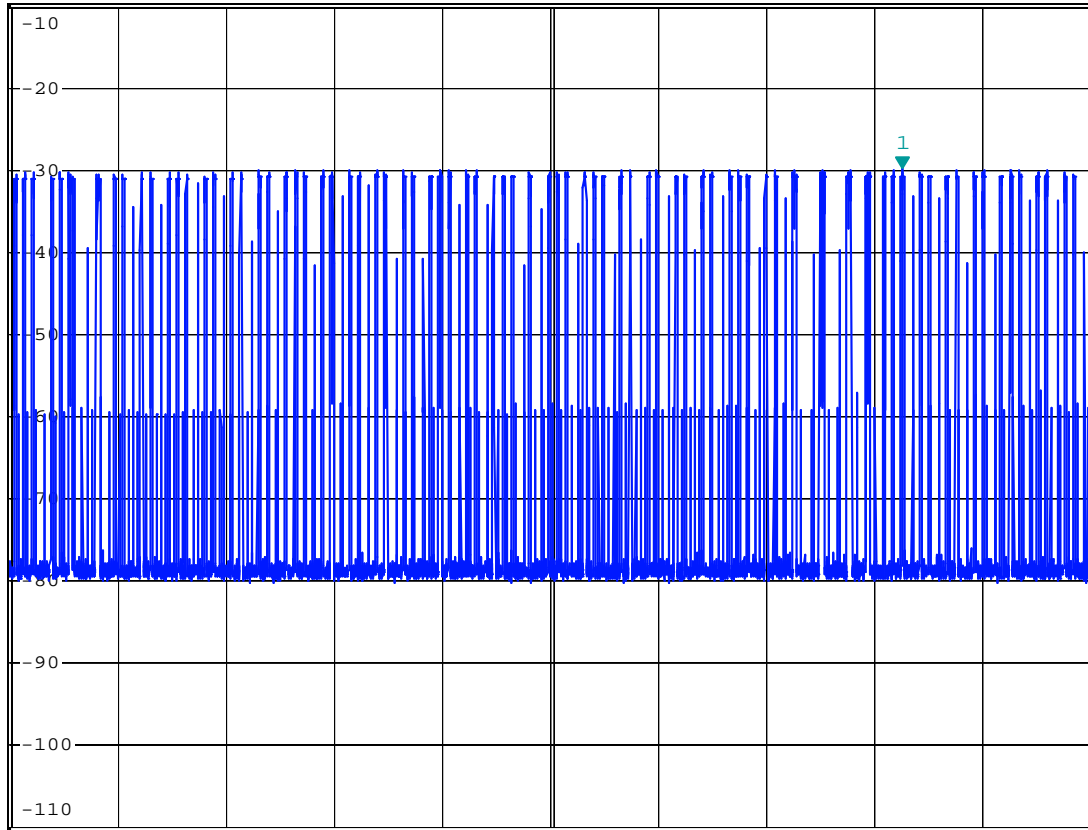
Data Traffic Plot (Slave) 5500 MHz



MARKER 1
9.909 s
Ref -10 dBm *Att 0 dB

RBW 1 MHz Marker 1 [T1]
*VBW 1 MHz -29.73 dBm
SWT 12 s 9.909000 s

1 AP
CLRWR



Center 5.5 GHz 1.2 s/

Date: 19.APR.2012 20:17:28

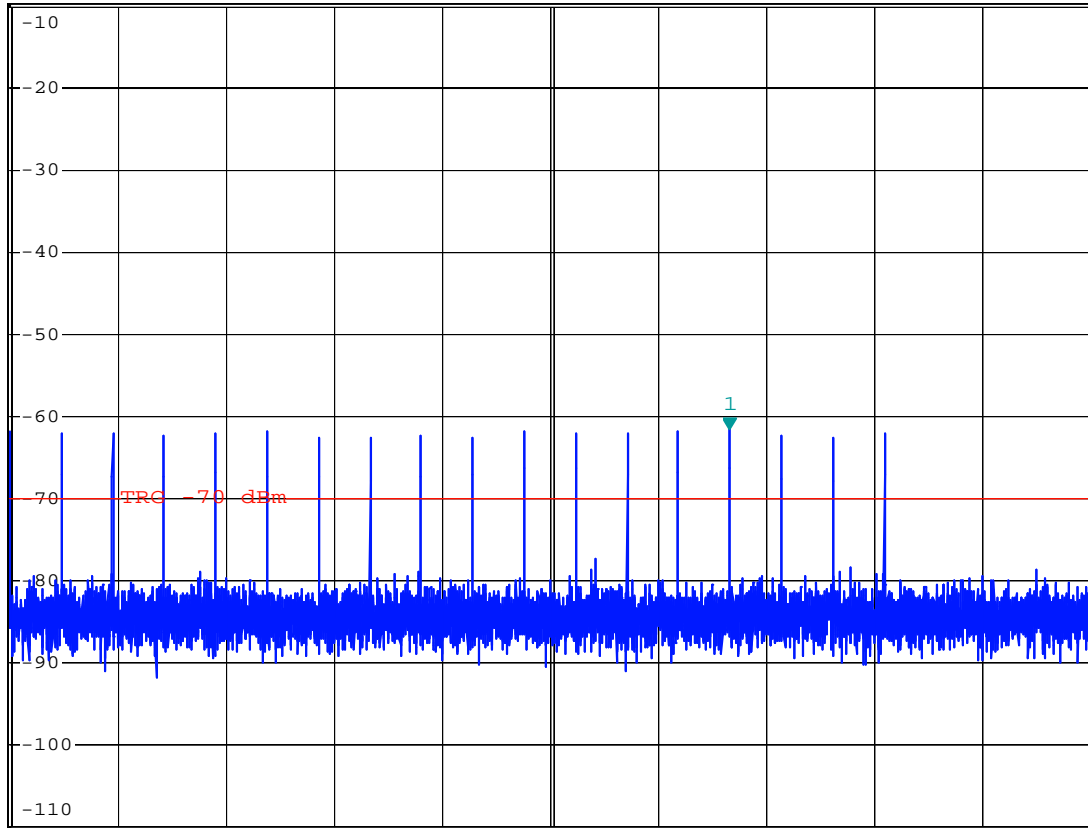
Radar #1 DFS detection threshold level and the burst of pulses on the Channel frequency (40MHz)
Frequency (40MHz)
5510 MHz



MARKER 1
19.995 ms
Ref -10 dBm *Att 0 dB

RBW 1 MHz Marker 1 [T1]
*VBW 1 MHz -61.58 dBm
SWT 30 ms 19.995000 ms

1 AP
CLRWR



Center 5.51 GHz 3 ms/

Date: 18.APR.2012 21:52:49

Master (AP) Data Traffic Plot 5510 MHz



MARKER 1

10.17 s

Ref -10 dBm

*Att 0 dB

RBW 1 MHz

*VBW 1 MHz

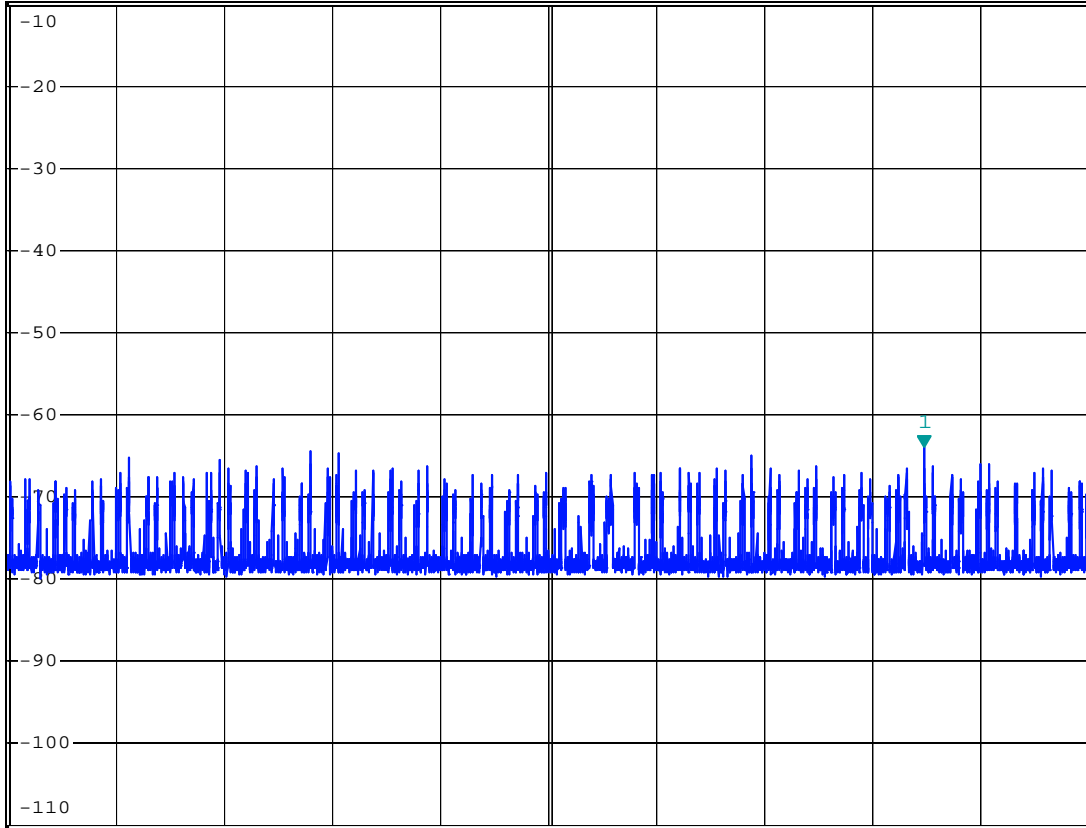
SWT 12 s

Marker 1 [T1]

-63.92 dBm

10.170000 s

1 AP
CLRWR



A
SGL

Center 5.51 GHz

1.2 s/

Date: 20.APR.2012 10:28:43

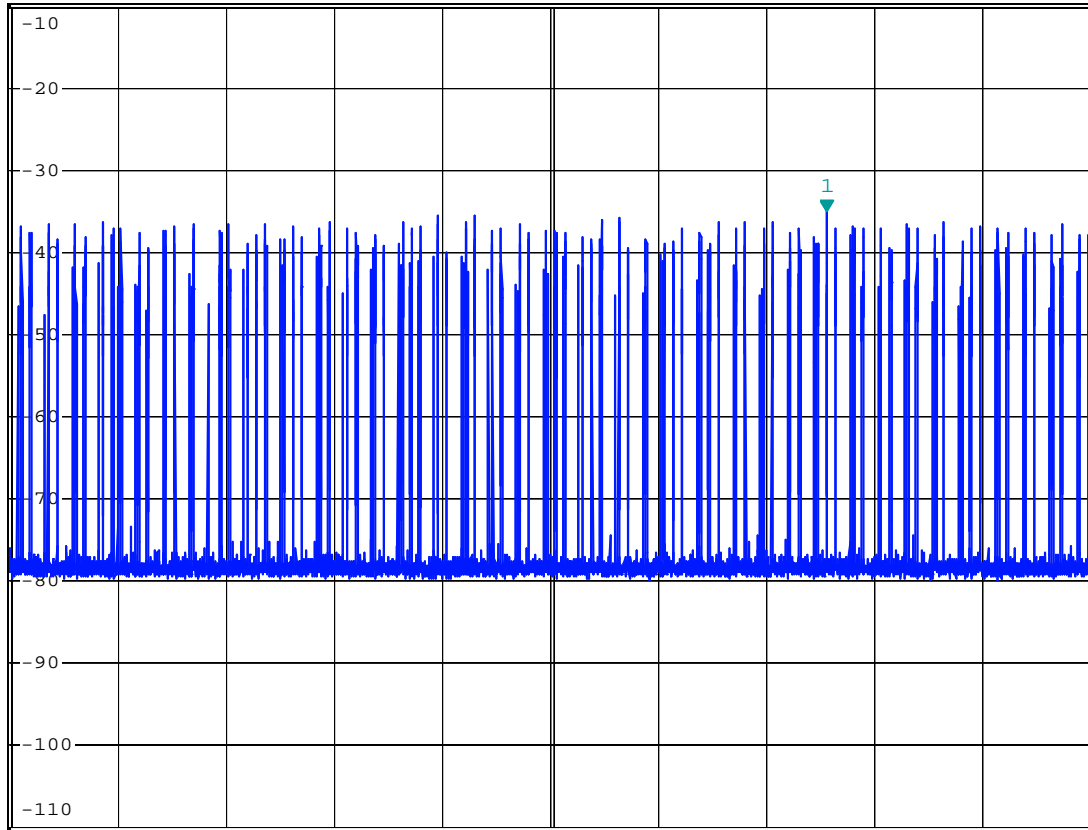
Data Traffic Plot (Slave) 5510 MHz



MARKER 1
9.072 s
Ref -10 dBm *Att 0 dB

RBW 1 MHz Marker 1 [T1]
*VBW 1 MHz -34.99 dBm
SWT 12 s 9.072000 s

1 AP
CLRWR



Center 5.51 GHz 1.2 s/

Date: 20.APR.2012 10:03:05

4 IN-SERVICE MONITORING

4.1 For Channel Move Time, Channel Closing Transmission Time and Non-Occupancy Period Measurement

4.1.1 Limit

The EUT has In-Service Monitoring function to continuously monitor the radar signals, If radar is detected, must leave the channel (Shutdown). The Channel Move Time to cease all transmissions on the current Channel upon detection of a Radar Waveform above the DFS Detection Threshold within 10 sec. The total duration of Channel Closing Transmission Time is 260ms. Channel Closing Transmission Time is comprised of 200 ms starting at the beginning of the Channel Move Time plus any additional intermittent control signals between 9.8 sec after 200 ms starting from the end of radar burst. The Non-Occupancy Period time is 30 minute during which a Channel will not be utilized after a Radar Waveform is detected on that Channel.

4.1.2 Test Procedures

1. When radar burst with a level equal to the DFS Detection Threshold + 1dB is generated on the Operating Channel of the U-NII device. A U-NII device operating as a Client Device will associate with the Master at Channel. Stream the MPEG test file from the Master Device to the Client Device on the selected Channel for the entire period of the test. At time T0 the Radar Waveform generator sends a Burst of pulses for each of the radar types at Detection Threshold + 1dB.
2. Observe the transmissions of the EUT at the end of the radar Burst on the Operating Channel. Measure and record the transmissions from the EUT during the observation time (Channel Move Time). One 12 second plot been reported for the Short Pulse Radar Types 1. The plot for the Short Pulse Radar Types start at the end of the radar burst. The Channel Move Time will be calculated based on the plot of the Short Pulse Radar Type.
3. To measure the total intermittent control signals transmission time. The total intermittent control signals transmission time is measured between 9.8 sec that is calculated 10 sec starting at the beginning of the Channel Move Time and minus 200ms. The spectrum analyzer set to zero span tuned to the center frequency of the EUT operating channel at the radar simulated frequency, peak detection, and max hold, the dwell time per bin is given by: $Dwell = S / B$; where Dwell is the dwell time per spectrum analyzer sampling bin, S is the sweep time and B is the number of spectrum analyzer sampling bins. The total intermittent control signals transmission time is calculated by: $C = N \times Dwell$; where C is the total intermittent control signals transmission time between 9.8 sec, N is the number of spectrum analyzer sampling bins showing total intermittent control signals and Dwell is the dwell time per bin.
4. Measure the EUT for more than 30 minutes following the channel close/move time to verify that the EUT does not resume any transmissions on this Channel.

4.1.3 Test Deviation

There is no deviation with the original standard.

Parameter	Test Result		Limit
	Radar Type 1		
Test Frequency	5500 MHz (20MHz)	5510 MHz (40MHz)	-
Channel Move Time (sec)	0 s	0 s	< 10s
Intermittent control signals (ms) (Note)	0 ms	0 ms	< 60ms
Non-Occupancy Period (min.)	0 min	0 min	≥ 30

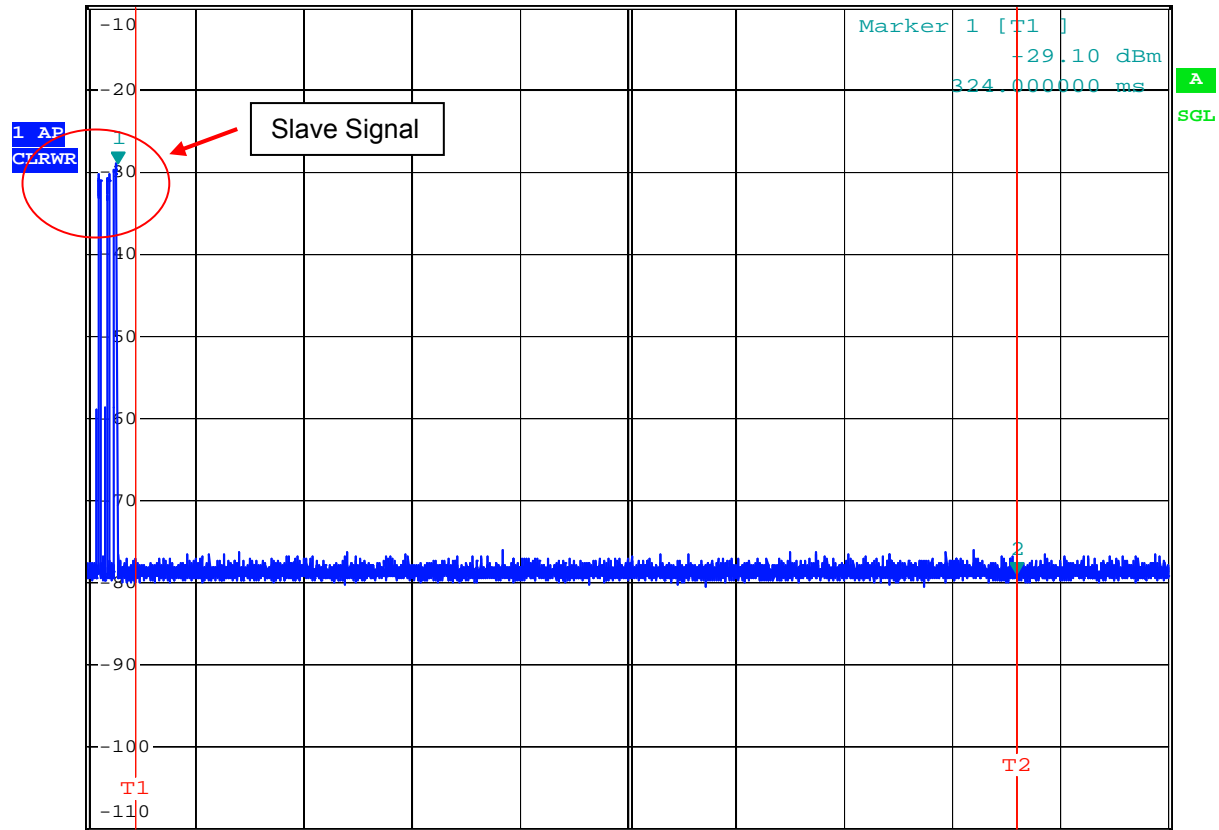
Note: The total intermittent control signals transmission time is measured between 9.8 sec that is calculated 10 sec starting at the beginning of the Channel Move Time and minus 200ms.

Frequency (20MHz)
 Radar #1 Channel Move Time 5500 MHz




TIME LINE 2
 10.324 s
 Ref -10 dBm *Att 0 dB

RBW 1 MHz Marker 2 [T1]
 *VBW 1 MHz -78.90 dBm
 SWT 12 s 10.324000 s





Center 5.5 GHz 1.2 s/

Date: 19.APR.2012 20:26:17



**DFS Channel Close
Transmission Time (v1.0.35)**

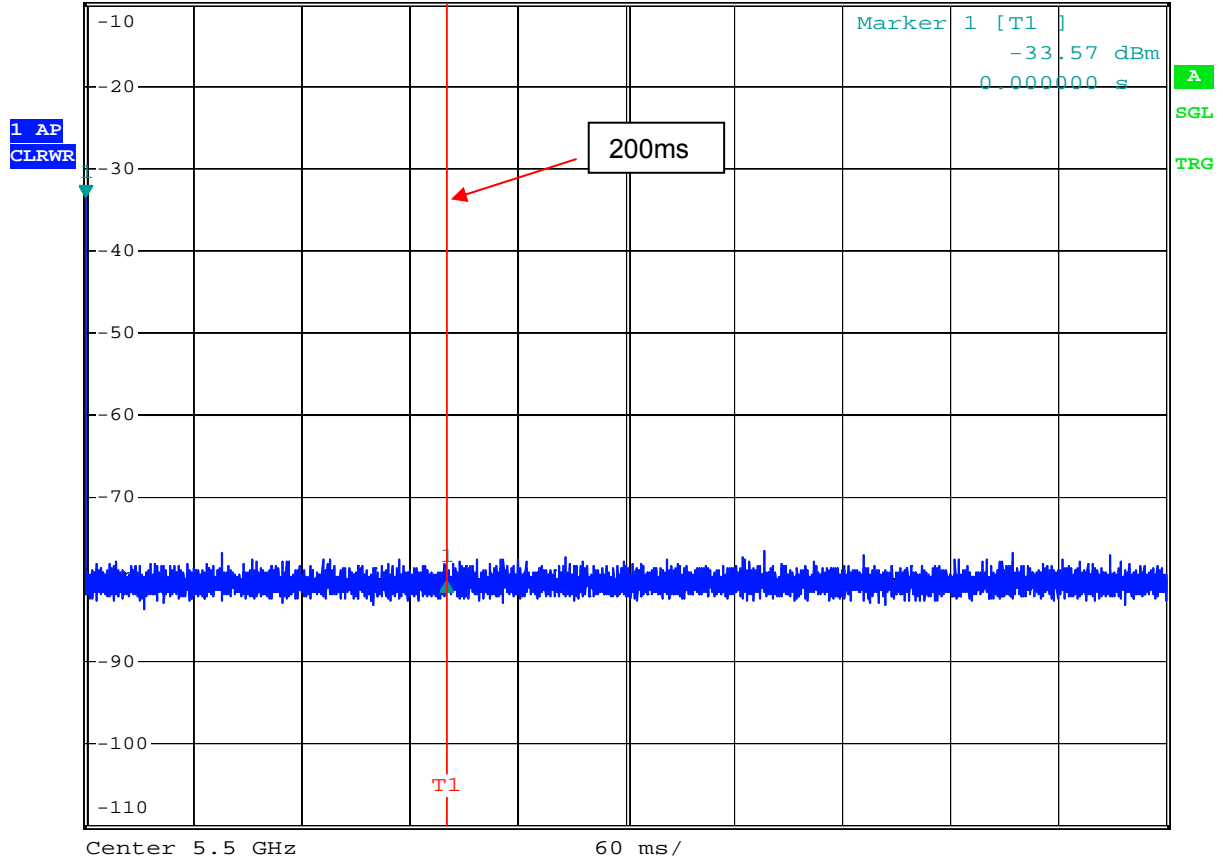



VISA session GPIB0::21:	Marker 1 (sec) 0.524	Set Points (501) 8001	Space Time of Point 0.0015	No. of Pulse 0
FSP & FSL	Marker 2 (sec) 10.324	Set Sweep Time 12	Mark 1 Point 350	Close TX Time 0
	Total Trace of Points 8001	Threshold (dBm) -70	Mark 2 Point 6884	Trace Data 0 -77.6790

Radar #1 Channel Closing Transmission Time is comprised of 200 ms starting at the beginning of the Channel Move Time plus 0ms intermittent control signals of 9.8 sec period
 5500 MHz



CENTER FREQUENCY	RBW 1 MHz	Delta 1 [T1]
5.5 GHz	*VBW 1 MHz	-46.75 dB
Ref -10 dBm	*Att 0 dB	SWT 600 ms
		200.000000 ms



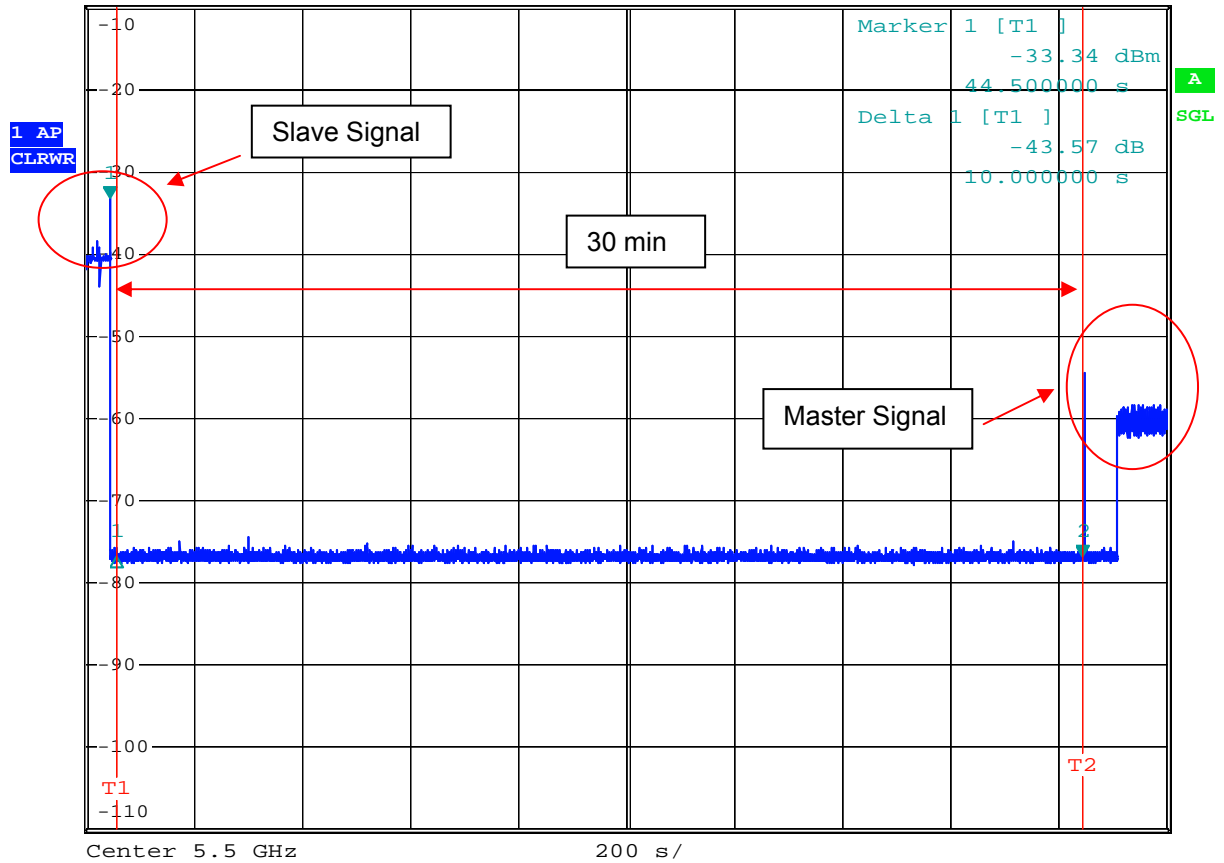
Date: 19.APR.2012 20:30:52

Associated Test Mode
Radar #1 Non-Occupancy Period 5500 MHz



TIME LINE 2
 1844.5 s
 Ref -10 dBm *Att 0 dB

RBW 1 MHz Marker 2 [T1]
 *VBW 1 MHz -76.67 dBm
 SWT 2000 s 1.844500 ks



Date: 19.APR.2012 21:10:09

Non-associated test Mode

Radar #1 Non-Occupancy Period 5500 MHz

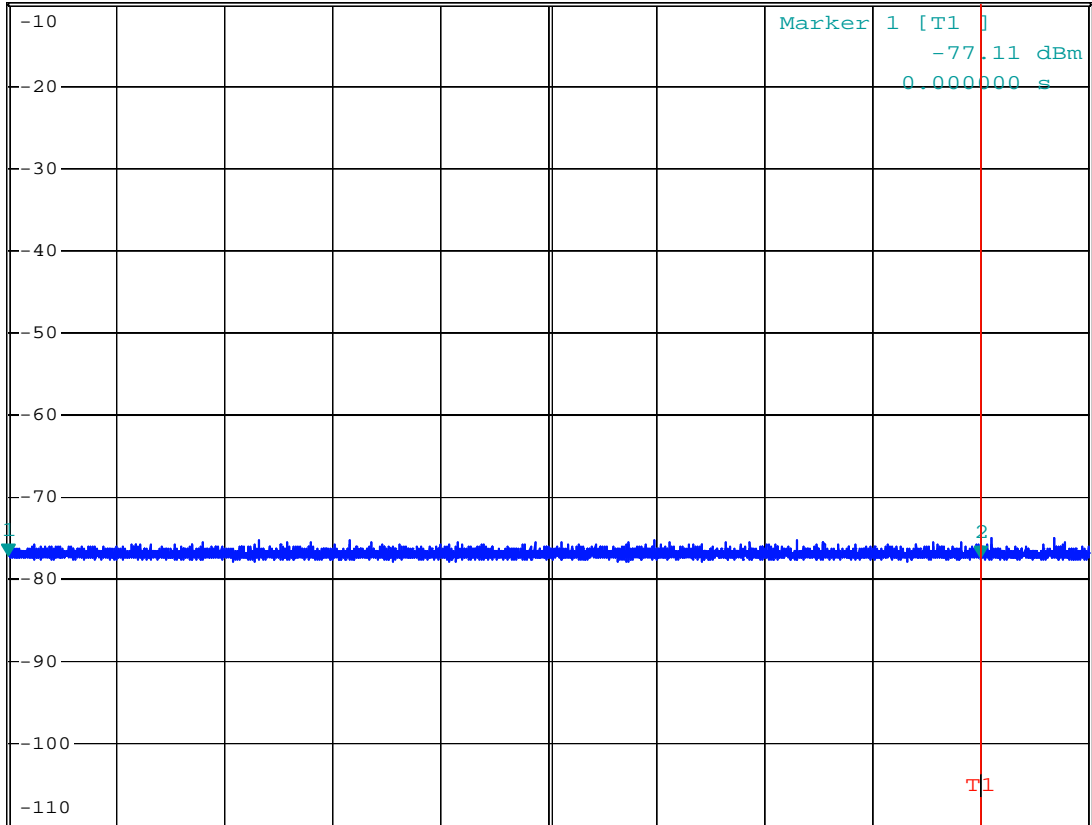
Non-associated test, Master was off. During the 30 minutes observation time, The UUT did not make any transmissions in the DFS band after UUT power up.



TIME LINE 1
1800 s
Ref -10 dBm *Att 0 dB

RBW 1 MHz Marker 2 [T1]
*VBW 1 MHz -77.21 dBm
SWT 2000 s 1.800000 ks

1 AP
CLRWR



Center 5.5 GHz 200 s/

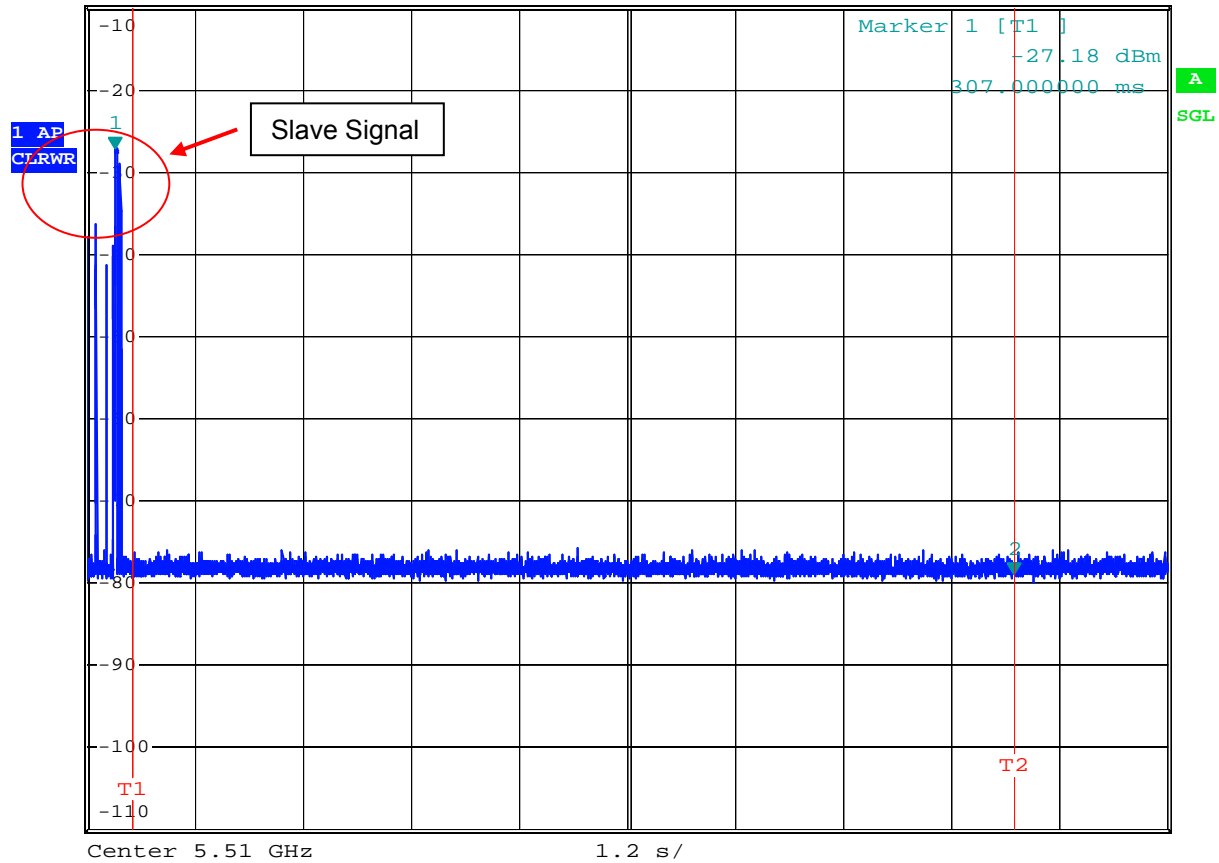
Date: 19.APR.2012 21:45:49

Frequency (40MHz)
 Radar #1 Channel Move Time 5510 MHz



TIME LINE 2
 10.307 s
 Ref -10 dBm *Att 0 dB

RBW 1 MHz Marker 2 [T1]
 *VBW 1 MHz -78.91 dBm
 SWT 12 s 10.307000 s



Date: 20.APR.2012 10:53:42

DFS-CCTT.vi

DFS Channel Close Transmission Time (v1.0.35)

VISA session: GPIB0::21: FSP & FSL

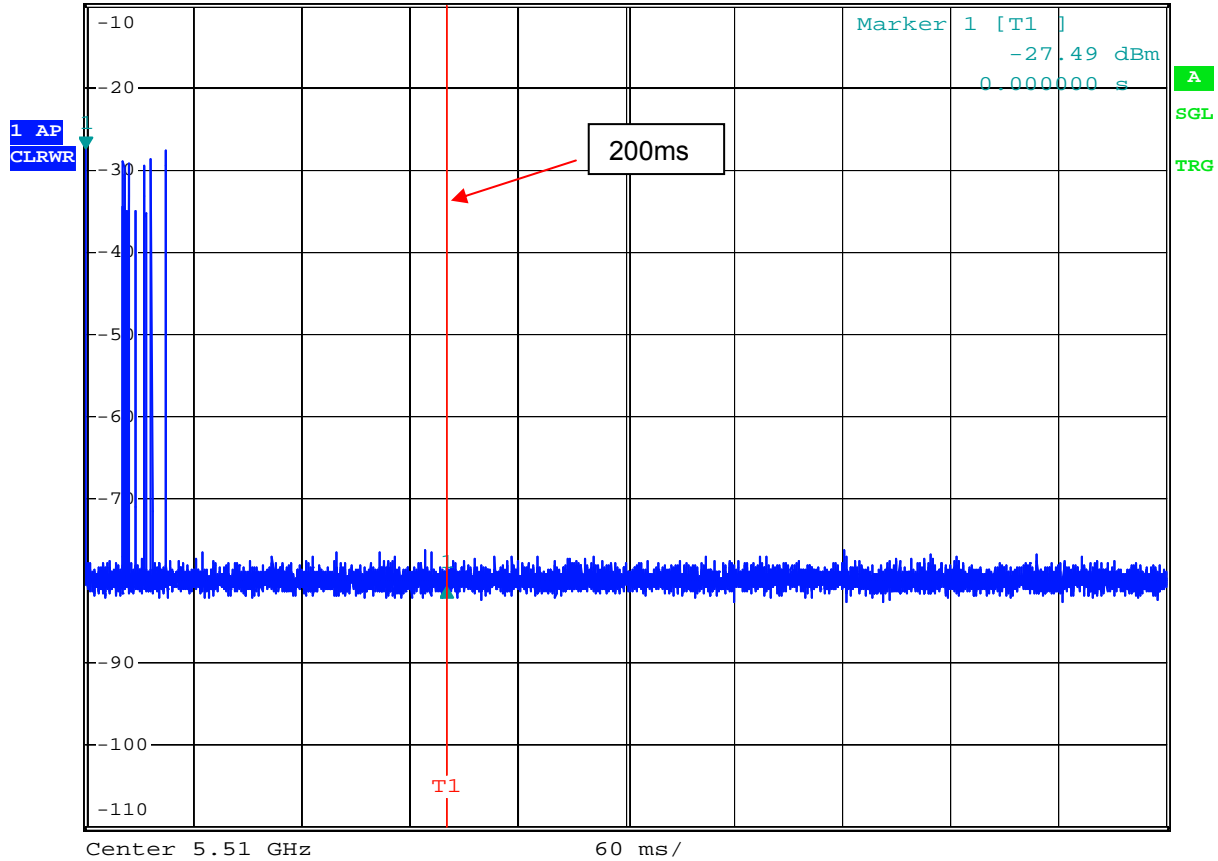
Marker 1 (sec): 0.507	Set Points (501): 8001	Space Time of Point: 0.0015	No. of Pulse: 0
Marker 2 (sec): 10.307	Set Sweep Time: 12	Mark 1 Point: 339	Close TX Time: 0
Total Trace of Points: 8001	Threshold (dBm): -70	Mark 2 Point: 6872	Trace Data: 0 -41.7715

Radar #1 Channel Closing Transmission Time is comprised of 200 ms starting at the beginning of the Channel Move Time plus 0ms intermittent control signals of 9.8 sec period
 5510 MHz



CENTER FREQUENCY
 5.51 GHz
 Ref -10 dBm *Att 0 dB

RBW 1 MHz Delta 1 [T1]
 *VBW 1 MHz -53.21 dB
 SWT 600 ms 200.000000 ms



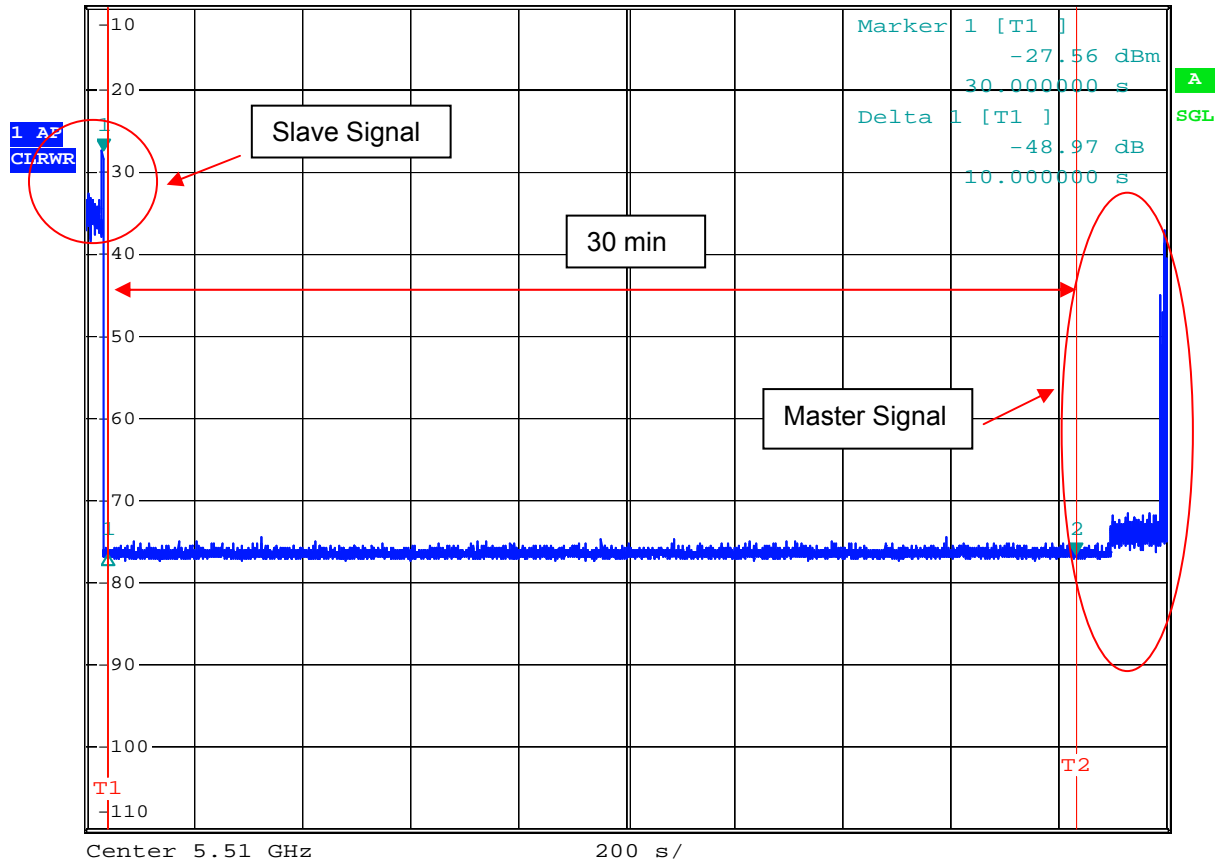
Date: 20.APR.2012 11:20:14

Associated Test Mode
Radar #1 Non-Occupancy Period 5510 MHz



CENTER FREQUENCY
5.51 GHz
Ref -10 dBm *Att 0 dB

RBW 1 MHz Marker 2 [T1]
*VBW 1 MHz -76.62 dBm
SWT 2000 s 1.830000 ks



Date: 20.APR.2012 15:00:23

Non-associated test Mode

Radar #1 Non-Occupancy Period 5510 MHz

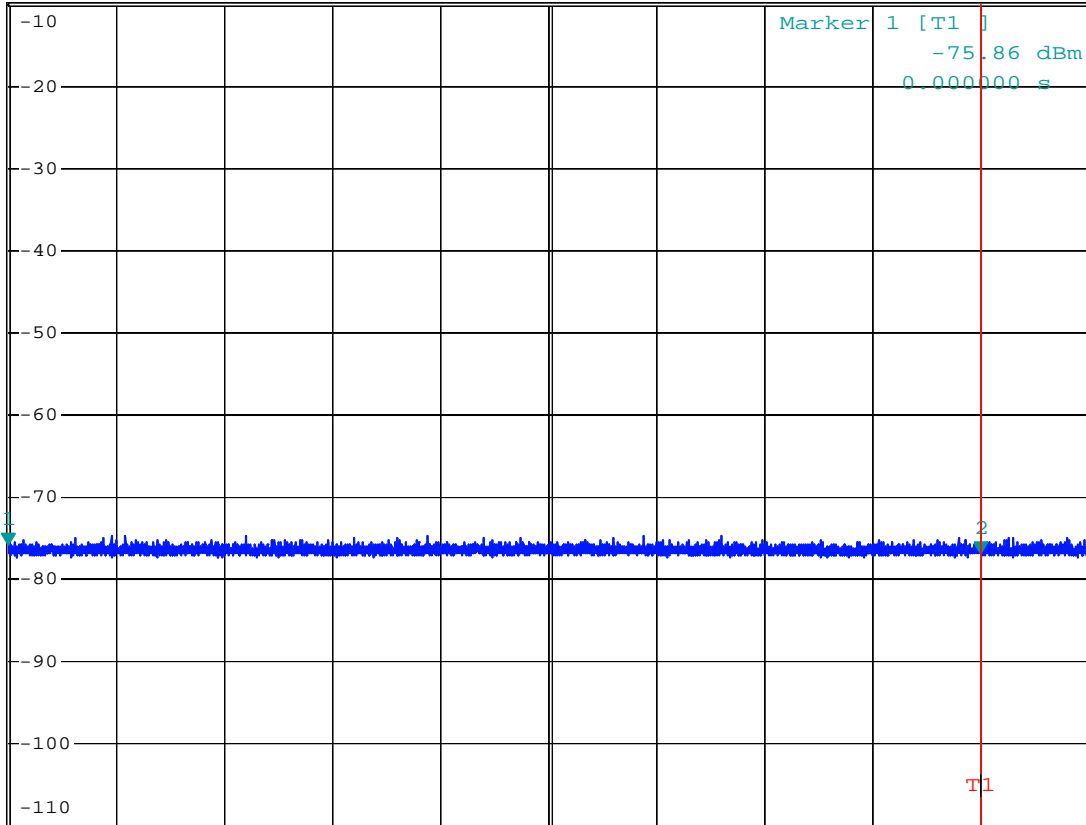
Non-associated test, Master was off. During the 30 minutes observation time, The UUT did not make any transmissions in the DFS band after UUT power up.



TIME LINE 1
1800 s
Ref -10 dBm *Att 0 dB

RBW 1 MHz Marker 2 [T1]
*VBW 1 MHz -76.82 dBm
SWT 2000 s 1.800000 ks

1 AP
CLRWR



Center 5.51 GHz 200 s/

Date: 20.APR.2012 15:43:34

5 MEASURING INSTRUMENTS

Instrument	Manufacturer	Model No.	Serial No.	Characteristics	Calibration Date	Remark
Spectrum Analyzer	R&S	FSP 7	100643	9kHz ~ 7GHz	Aug. 23, 2011	Conducted (TH01-HY)
Vector Signal Generator	R&S	SMU200A	102098	100kHz ~ 6GHz	Oct. 05, 2011	Conducted (TH01-HY)
RF Cable-3m	HUBER+SUHNER	SUCOFLEX_104	302338	1 ~ 26.5GHz	Jan. 01, 2012	Conducted (TH01-HY)
RF Cable-10m	HUBER+SUHNER	SUCOFLEX_104	302345	1 ~ 26.5GHz	Jan. 01, 2012	Conducted (TH01-HY)
Horn Antenna	ETS-LINDGREN	3117	00091920	1 ~ 18GHz	Nov. 15, 2011	Conducted (TH01-HY)
Horn Antenna	COM-POWER	AH-118	711064	1 ~ 18GHz	Jul. 27, 2011	Conducted (TH01-HY)

Note: Calibration interval of instruments listed above is one year.