

Michael Kühner Am Kelleracker 4 67271 Kleinkarlbach

Bosch Security Systems
Att: **Mr. Jan-Willem van Sluifers**
Purchasing Engineering
Torenallee 49, 5617 BA Eindhoven
The Netherlands

Kleinkarlbach, the 03th Sep 2015

TE Connectivity Antenna with part No 1513164-1

Dear Mr. van Sluifers,

We can confirm you that the TE Antenna with TE part no 1513164-1 is an PIFA Antenna.



Productlink : <http://www.te.com/usa-en/product-1513164-1.html>

Datasheet : see side -2- and -3-

Best regards

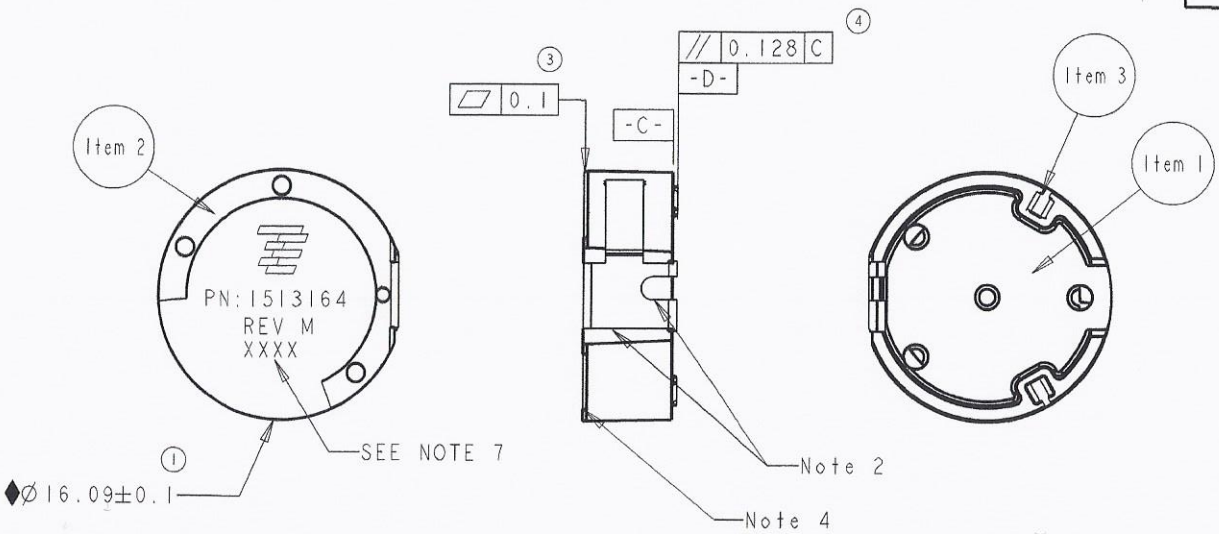


Michael Kühner

Vorsitzender des Aufsichtsrats:
Eric Küppers
Geschäftsführung:
Jörg Mann, Thomas Schmidt, Jürgen Haller
Amtsgericht: Darmstadt HRB 25133

Hauptsitz:
Tyco Electronics AMP GmbH
a TE Connectivity Ltd. company
Ampèrestraße 12-14 • D-64625 Bensheim
Telefon +49 (0) 6251 133-0 • Telefax +49 (0) 6251 133-1600

| P | LYR | DESCRIPTION | DATE | DWN | APVD |
|----|-----|---------------------------|-----------|-----|------|
| M1 | | REVISED PER ECO-11-005027 | 12MAR2011 | RK | HMR |
| M2 | | REV PER ECO-14-008663 | 10JUN2014 | KF | PG |
| | | | | | |



NOTES:

1. Material- Dupont Zenite 6130L BK010
2. General tolerance block applies unless otherwise specified.
3. Part is RoHS compliant per TE CONNECTIVITY standard TEC-138-702
4. Part will be identified with part number, rev letter, TE logo and 4 digit date code. 1st two digits for the year and the 2nd two digits for the week.
5. Consult TE CONNECTIVITY data sheet 1513164

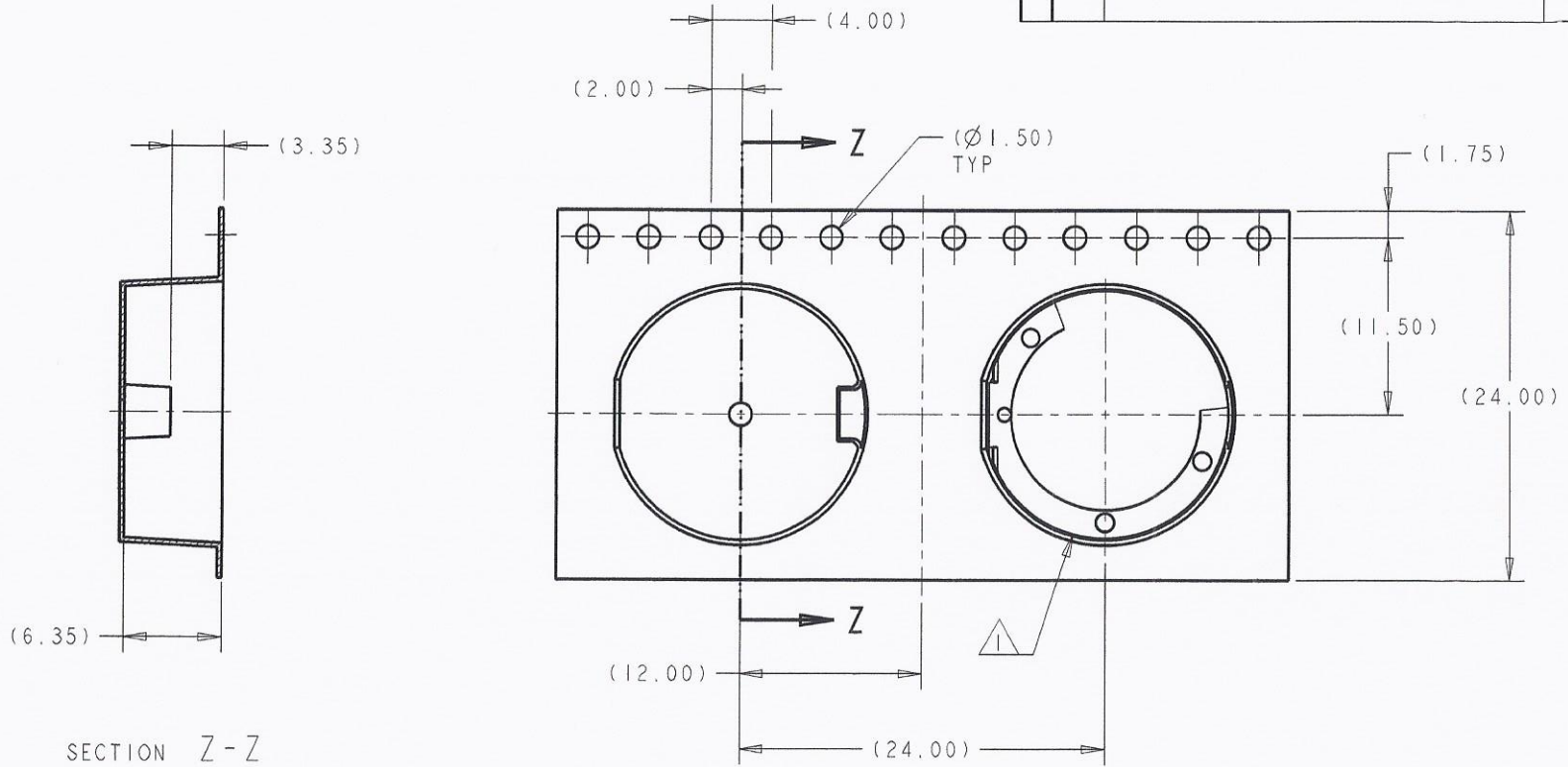
◆ ONGOING STATISTICAL PROCESS CONTROL REQUIRED (TOTAL 2 PCS.)

1513164-1
SCALE 2:1

Side -2-

| | | | | | |
|--|--|--------------------|-------------|---|--|
| THIS DRAWING IS A CONTROLLED DOCUMENT. | | DWN MAH | 29 JAN 2007 | | |
| DIMENSIONS: mm | | CHR - | APVD - | | |
| TOLERANCES UNLESS OTHERWISE SPECIFIED: | | PRODUCT SPEC - | | 2.4/5 GHz Dual Band Antenna | |
| 0 PLC ±0.10 | | APPLICATION SPEC - | | SIZE CAGE CODE DRAWING NO RESTRICTED TO | |
| 1 PLC ±0.10 | | WEIGHT - | | A300779 C=1513164 | |
| 2 PLC ±0.05 | | CUSTOMER DRAWING | | SCALE 3:1 SHEET 1 OF 2 REV M2 | |
| 3 PLC ±0.05 | | | | | |
| 4 PLC ±0.01 | | | | | |
| ANGLES ±1° | | | | | |
| MATERIAL - FINISH - | | | | | |

| P | LTR | DESCRIPTION | DATE | DWN | APVD |
|---|-----|-------------|------|-----|------|
| - | - | SEE SHEET 1 | - | - | - |
| | | | | | |
| | | | | | |



ORIENT PARTS AS SHOWN.

- 2. PARTS ARE COMPLIANT TO RoHS STANDARDS PER TE CONNECTIVITY STANDARD TEC-138-702.
- 3. ALL INFORMATION ON THIS DRAWING IS CONFIDENTIAL AND PROPRIETARY TO TE CONNECTIVITY.

Side -3-

| | | | | |
|---|----------|-------------------|-----------------|--|
| THIS DRAWING IS A CONTROLLED DOCUMENT. | | DWN MAH 29JAN2007 | TE Connectivity | |
| DIMENSIONS: mm | | CHK - | | |
| TOLERANCES UNLESS OTHERWISE SPECIFIED: | | APVD - | PRODUCT SPEC | 2.4/5 GHz Dual Band Antenna |
| 0 PLC ±0.10 1 PLC ±0.10 2 PLC ±0.05 3 PLC ±0.05 4 PLC ±0.01 ANGLES ±1° | | APPLICATION SPEC | | SIZE A3 CAGE CODE 00779 DRAWING NO C=1513164 |
| MATERIAL - | FINISH - | WEIGHT - | RESTRICTED TO - | |
| CUSTOMER DRAWING | | | SCALE 3:1 | SHEET 2 OF 2 REV M2 |