



榮 昌 科 技 股 份 有 限 公 司

GRAND-TEK TECHNOLOGY CO.,LTD

8F., No.233-2, Ln. 235, Baociao Rd., Sindian City, Taipei County 231, Taiwan(R.O.C.)

TEL : (02)29177353

FAX:(02)29106546

承 認 書

SPECIFICATION FOR APPROVAL

客戶名稱： 台達電

CUSTOMER

產 品： Antenna,WiFi 6E ,MHF 4L,OD1.37,Black,L=200mm

PRODUCT

客戶料號： _____

PRODUCT

榮昌料號： 103DG00000150

PART NO.

承認書編號： RC220804002

SHEET NO.

DATE : 2022-08-04

CUSTOMER CONCLUSION : **APPROVED** (承 認)

(客 戶 判 定) **REJECTED** (不合格)

LIMITED (允 收)

CONDITIONAL APPROVAL (條件認可)

INCLUDING THIS COVER TOTAL 9 PAGES

(含 此 封 面 頁 共 9 頁)

*** PLEASE SIGNED AND FAX THE RESULT TO US .**

(請 於 判 定 簽 名 後 將 結 果 傳 回)

AUTHORIZE DSIGNATURES

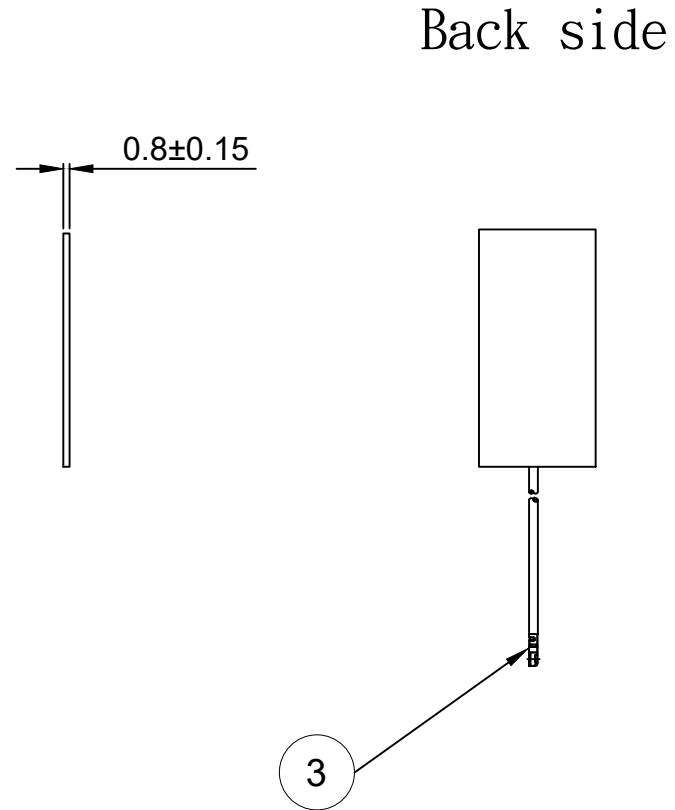
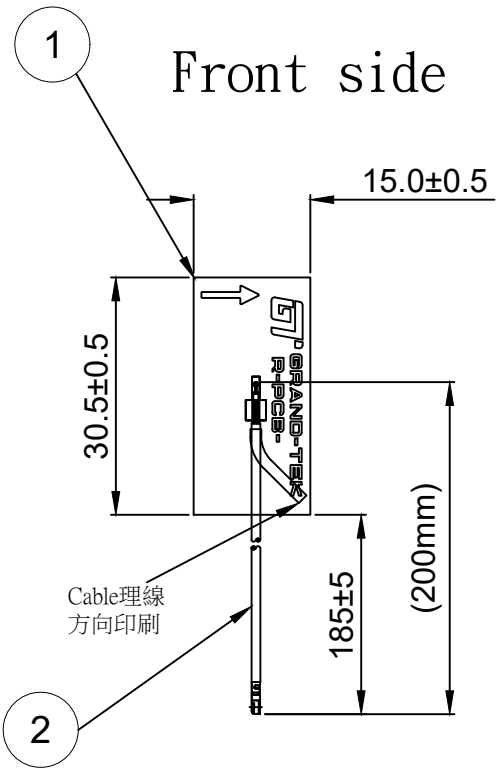


Part No.:	-	Item No.:	103DG00000150	Customer Code:	G0183A
Edited By:	gallon-chen	Check By:	Eric	Approved By:	Mark


Standard Specification

REVISIONS				
DATE	REV.	ZONE	DESCRIPTION	ECN NO.
2022-08-03			NEW RELEASE	

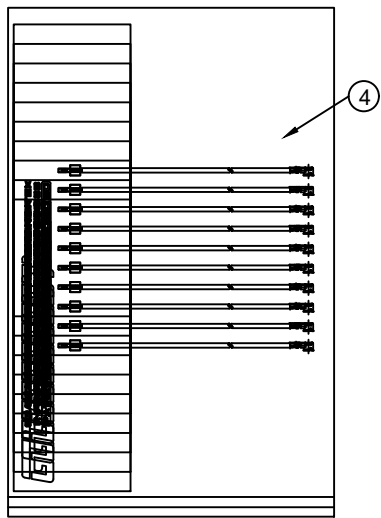
Specification				
Frequency	2400~2500MHz	5150~5875MHz	5925~6525 MHz	6525~7125 MHz
Polarization	Linear, Vertical			
Peak Gain	2.5 dBi max.	5.3 dBi max.	4.4 dBi max.	4.4 dBi max.
VSWR	<2.0 typ.			
Impedance	50 Ohms			
Connector	I-PEX MHF 4L Plug			



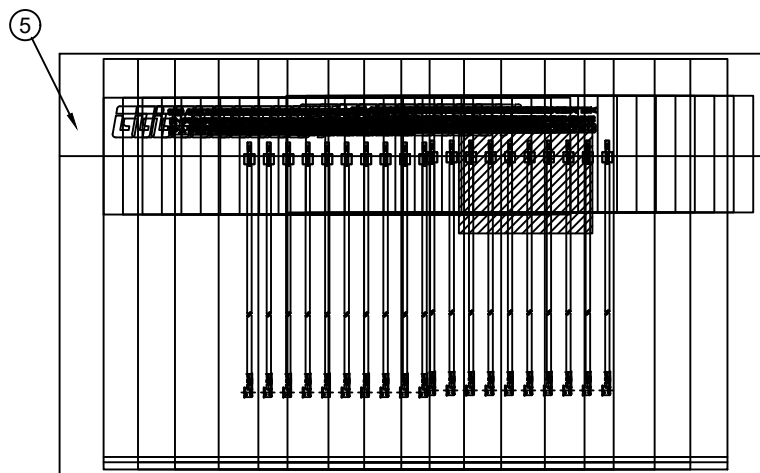
REACH
RoHS

UNLESS OTHERWISE SPECIFIED TOLERANCE : X.X ±0.3 X.XX ±0.15		ANGLES : ±5° DO NOT SCALE DRAWING		 榮昌科技股份有限公司 GRAND-TEK TECHNOLOGY CO., LTD.	
Designed BY	Jason_Hsu	TITLE Antenna,WiFi 6E ,MHF 4L,OD1.37,Black ,L=200mm			G0183A
DRAWN BY	gallon-chen	SIZE A4	UNIT mm	PART NO. -	REV.
CHECKED BY	Eric	SCALE NA	THIRD ANGLE PROJECTION		PAGE 1 OF 4
APPROVED BY	Mark	ITEM NO. 103DG00000150			DATE 2022-08-03
Type No.					

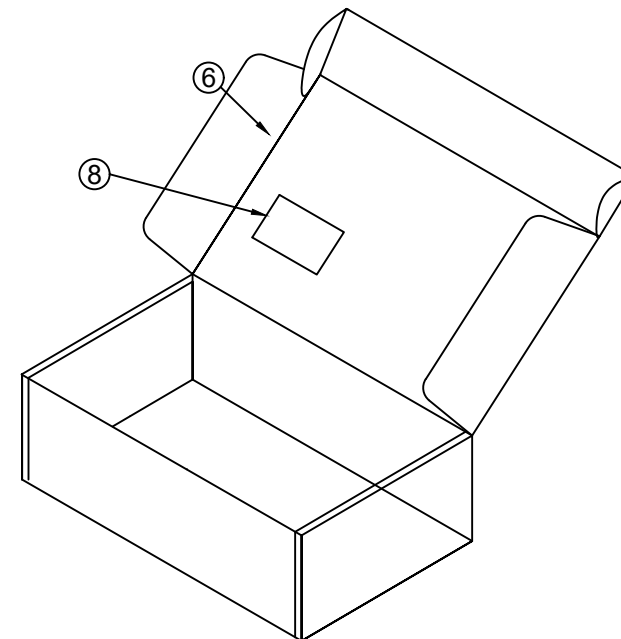
ITEM	QTY	U/M	DESCRIPTION
3	1	EA	I-PEX MHF 4L,Plug,For Φ1.37
2	1	EA	1.37 CABLE,TIN PLATING,Cable Color: Black
1	1	EA	WiFi 6E,PCB,Size: 30.5x15.0 mm



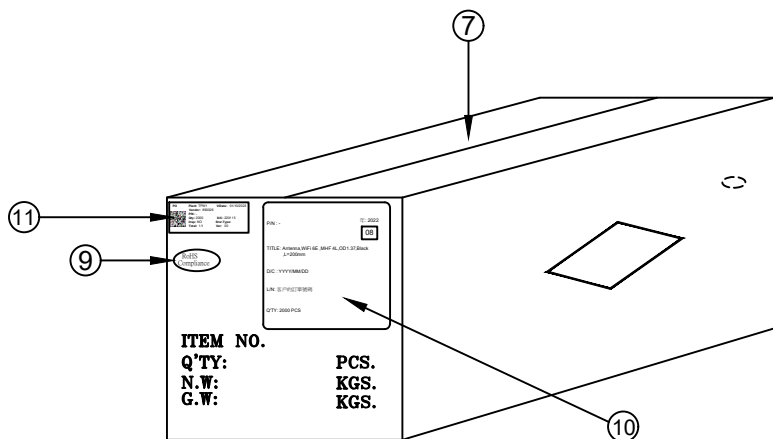
10PCS裝入4*6" PE袋



20小袋裝入11*13" PE袋，反折用透明膠帶固定



⑧ 內盒LABEL SIZE:80*60mm




包裝重點：

- 1) 10PCS 裝入4"x6"PE袋.
- 2) 200PCS成品裝入11"x13"PE袋中，PE袋反折並用透明膠粘好.
- 3) 200PCS/內盒.
- 4) 10內盒/外箱.

REACH
RoHS

11	1	EA	CARTON LABEL 60*40mm
10	2	EA	CARTON LABEL 100*100mm
9	2	EA	RoHS LABEL
8	1	EA	INNER BOX LABEL 80*60mm
7	1	EA	CARTON SIZE:40.5x29.5x38.5cm
6	1	EA	INNER BOX , SIZE : 28x19x7cm
5	1	EA	PE BAG SIZE:11*13 inch
4	1	EA	PE BAG SIZE:4*6 inch

UNLESS OTHERWISE SPECIFIED TOLERANCE :		ANGLES : ±2°		 榮昌科技股份有限公司 GRAND-TEK TECHNOLOGY CO., LTD.			
X.X	±0.3	X.XX	±0.15		TITLE Antenna,WiFi 6E ,MHF 4L,OD1.37,Black ,L=200mm G0183A		
Designed BY	Jason_Hsu			SIZE A4	UNIT mm	PART NO. -	REV.
DRAWN BY	gallon-chen			SCALE NA	THIRD ANGLE PROJECTION		PAGE 2 OF 4
CHECKED BY	Eric			DATE 2022-08-03		ITEM NO. 103DG00000150	
APPROVED BY	Mark			Type No.			

ITEM	QTY	U/M	DESCRIPTION
------	-----	-----	-------------


8 Inner Box Size: 80x60 mm

P/N : -	年: 2022
Q'TY: 200 PCS	08
D/C: YYYY/MM/DD	
TITLE: Antenna,WiFi 6E ,MHF 4L,OD1.37,Black ,L=200mm	
L/N: 客戶的訂單號碼	

10 Carton Label Size: 100x100 mm

P/N : -	年: 2022
TITLE: Antenna,WiFi 6E ,MHF 4L,OD1.37,Black ,L=200mm	08
D/C : YYYY/MM/DD	
L/N: 客戶的訂單號碼	
Q'TY: 2000 PCS	

REACH
RoHS

UNLESS OTHERWISE SPECIFIED TOLERANCE :		 榮昌科技股份有限公司 GRAND-TEK TECHNOLOGY CO., LTD.		
ANGLES : ±2°		TITLE Antenna,WiFi 6E ,MHF 4L,OD1.37,Black ,L=200mm		G0183A
X.X ±0.3	X.XX ±0.15	SIZE A4	UNIT mm	PART NO. -
DO NOT SCALE DRAWING		SCALE NA	THIRD ANGLE PROJECTION	PAGE 3 OF 4
Designed BY Jason_Hsu	DRAWN BY gallon-chen	APPROVED BY Mark	DATE 2022-08-03	
Type No.	ITEM NO. 103DG00000150			

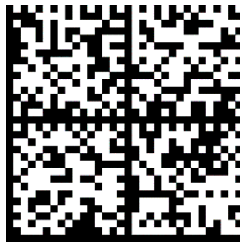
Carton Label Size: 60x40 mm
(出貨前由業務提供內容)

PO

Plant: TPW1

V/Date: 01/10/2023

Vendor: 890026



P/N: -

Qty: 2000

D/C: 220115

Insp: NO

Stor.Type:

Total: 1/1

Ver: 00

REACH
RoHS

UNLESS OTHERWISE SPECIFIED TOLERANCE : ANGLER : ±2°				榮昌科技股份有限公司	
X.X ±0.3				GRAND-TEK TECHNOLOGY CO., LTD.	
X.XX ±0.15 DO NOT SCALE DRAWING		TITLE Antenna, WiFi 6E ,MHF 4L, OD1.37, Black ,L=200mm			
Designed BY	Jason_Hsu	SIZE A4		UNIT mm	PART NO. -
DRAWN BY	gallon-chen			REV.	
CHECKED BY	Eric	SCALE NA		THIRD ANGLE PROJECTION	
APPROVED BY	Mark			PAGE 4	OF 4
Type No.				ITEM NO. 103DG00000150	DATE 2022-08-03

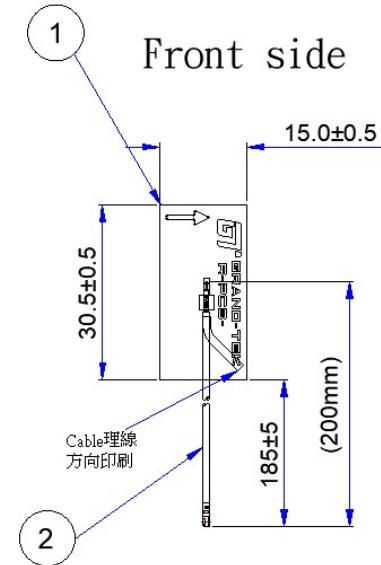
Antenna Spec WiFi 6E Right

P/N : 103DG00000150



Electrical specification

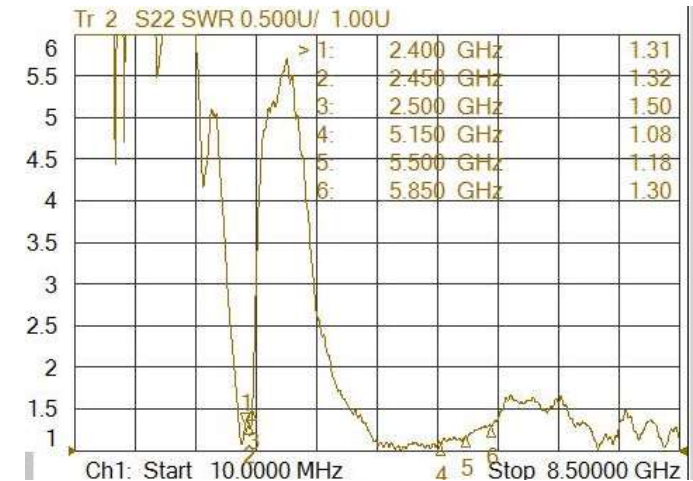
	Specification			
Frequency	2400~2500MHz	5150~5875MHz	5925~6525 MHz	6525~7125 MHz
Polarization	Linear, Vertical			
Peak Gain	2.5 dBi max.	5.3 dBi max.	4.4 dBi max.	4.4 dBi max.
VSWR	<2.0 typ.			
Impedance	50 Ohms			
Connector	I-PEX MHF 4L Plug			



VSWR

Environmental & Mechanical Characteristics

Temperature	-40°C to +85°C
Humidity	95%@25°C



Antenna Pattern WiFi 6E Right

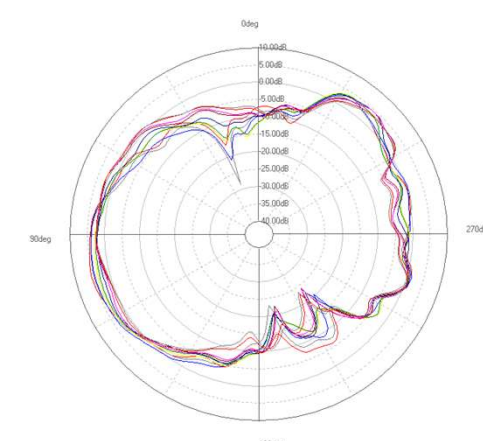
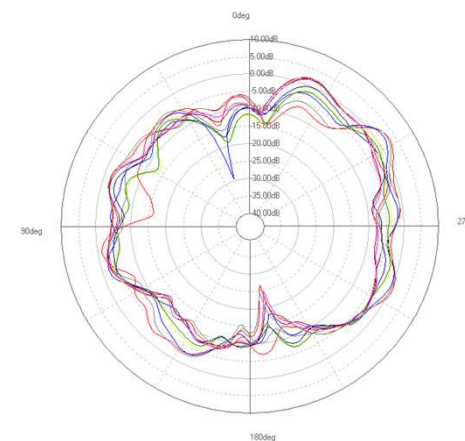
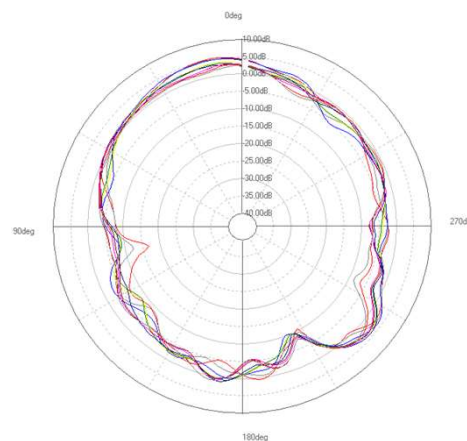
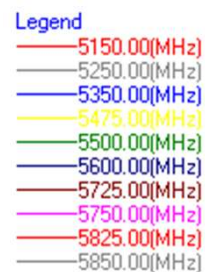
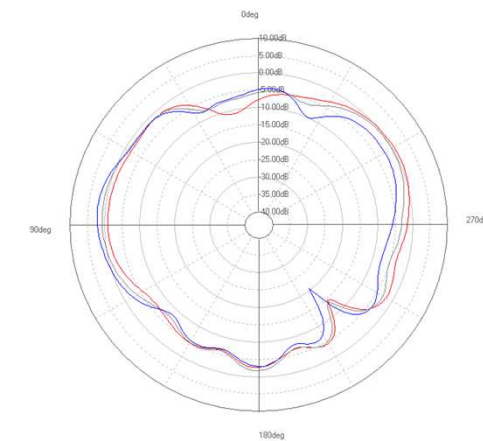
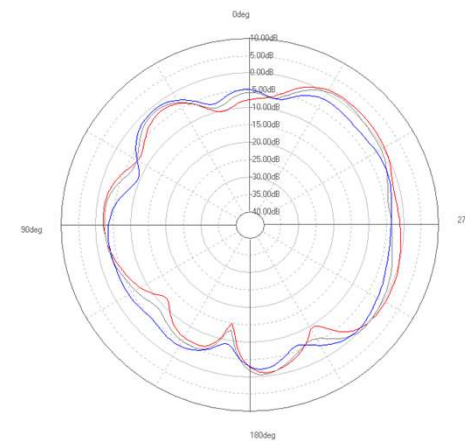
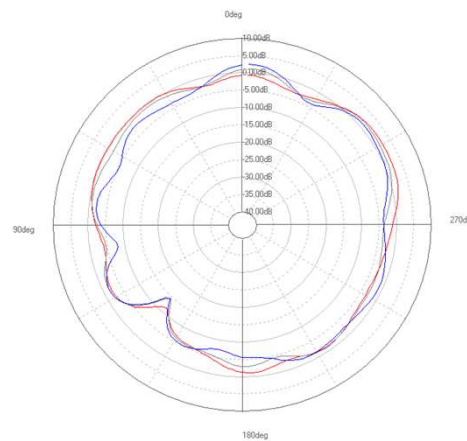
P/N : 103DG00000150



XY-plane

YZ-plane

ZX-plane



All rights reserved by GTT under NDA agreements

Antenna Pattern WiFi 6E Right

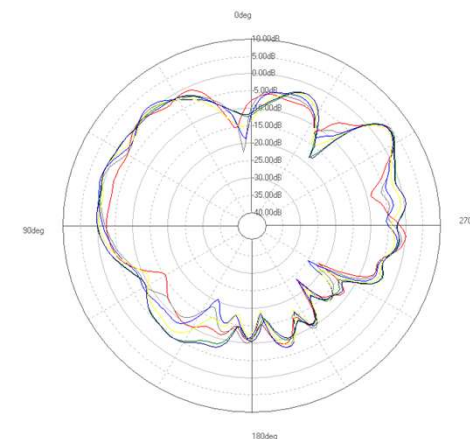
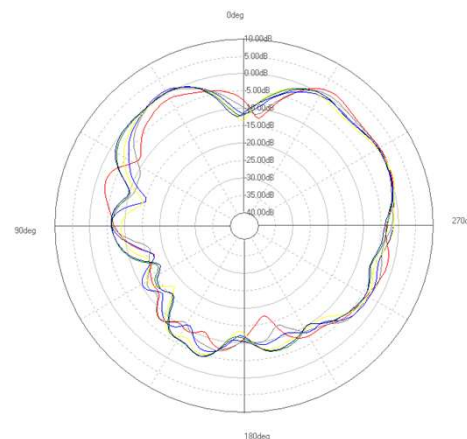
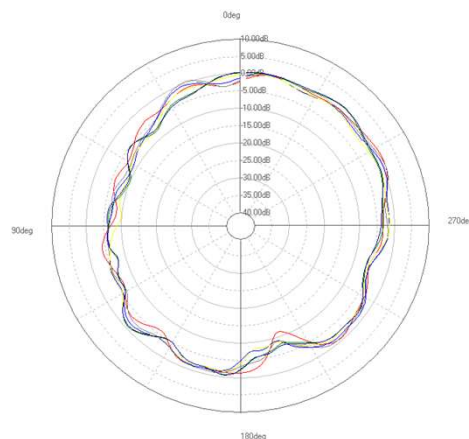
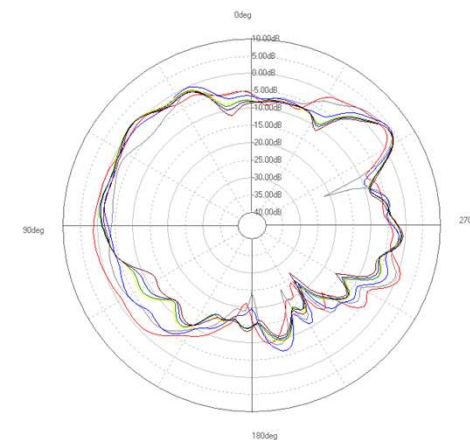
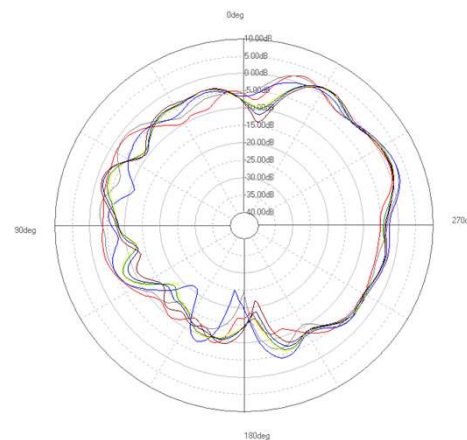
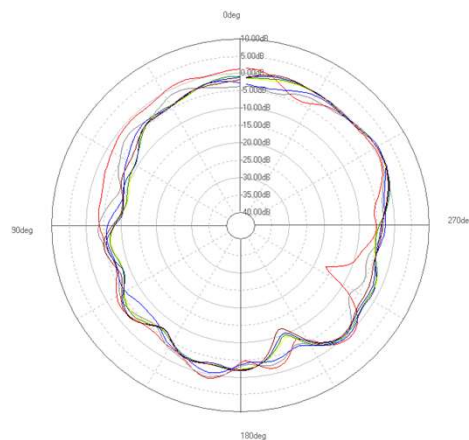
P/N : 103DG00000150



XY-plane

YZ-plane

ZX-plane



All rights reserved by GTT under NDA agreements

Antenna Information



Brand

GRAND-TEK Technology

Model Name

103DG00000150

Manufacturer

GRAND-TEK TECHNOLOGY CO.,LTD

Manufacturer address

8F., No.233-2, Ln. 235, Baociao Rd., Sindian City, Taipei County 231, Taiwan(R.O.C.)