



USER'S GUIDE
V: 781-01



IHB613B

Bluetooth Wireless, CD, Radio, Home Music System

For the most up-to-date version of this User's Guide, go to
www.iLiveElectronics.com

Warnings and Precautions

- **CAUTION:** TO PREVENT ELECTRIC SHOCK, MATCH WIDE BLADE OF PLUG TO WIDE SLOT, FULLY INSERT.
- **WARNING:** To reduce the risk of fire or electric shock, do not expose this apparatus to rain or moisture.
- **AVERTISSEMENT:** Pour réduire le risque d'incendie ou de choc électrique, ne pas exposer cet appareil sous la pluie et l'humidité.
- **CAUTION:** Use of any controls or adjustments or performance of procedures other than those herein specified may result in hazardous radiation exposure.
- **WARNING:** Do not place this unit directly onto furniture surfaces with any type of soft, porous, or sensitive finish. As with any rubber compound made with oils, the feet could cause marks or staining where the feet reside. We recommend using a protective barrier such as a cloth or a piece of glass between the unit and the surface to reduce the risk of damage and/or staining.
- **WARNING:** Use of this unit near fluorescent lighting may cause interference regarding use of the remote. If the unit is displaying erratic behavior move away from any fluorescent lighting, as it may be the cause.
- **CAUTION:** Danger of explosion if battery is incorrectly replaced. Replace only with the same or equivalent type.
- **PRÉCAUTION:** *Danger d'explosion si les piles sont remplacées de façon incorrect. Remplacer les piles seulement par le même type de pile ou l'équivalent.*
- **WARNING:** The battery, batteries, and battery pack shall not be exposed to excessive heat such as sunshine, fire, or the like.

WARNING: The remote control supplied with this product contains a button-cell battery that could be accidentally ingested by children. Do not leave button-cell batteries accessible to children. If swallowed, promptly see doctor and call (202) 625-3333.

WARNING: This equipment should be installed and operated with minimum distance between 20cm the radiator your body: Use only the supplied antenna.

- **WARNING:** Lithium batteries, like all rechargeable batteries are recyclable and should be recycled or disposed of in normal household waste. Contact your local government for disposal or recycling practices in your area. They should never be incinerated since they might explode.
- **WARNING:** Shock hazard - Do Not Open.
- **AVIS:** *RISQUE DE CHOC ÉLECTRIQUE - NE PAS OUVRIR*

Mains Plug or Direct plug-in adapter is used as disconnect device and it should remain readily operable during intended use. In order to disconnect the apparatus from the mains completely, the Mains Plug or Direct plug-in adapter should be disconnected from the mains socket outlet completely.

La fiche d'alimentation ou adaptateur de courant est utilisé comme dispositif de déconnexion et doit rester accessible pendant l'utilisation. Pour mettre l'appareil hors tension, la fiche ou adaptateur de courant doit être débranché de la prise de courant.

Do not mix old and new batteries.
Do not mix alkaline, standard (carbon-zinc), or rechargeable (ni-cad, ni-mh, etc) batteries.
*No mezcle baterias viejas y nuevas.
No mezcle baterias alcalinas, estándar (carbono-zinc) o recargables (ni-cad, ni-mh, etc.).*



WARNING: TO REDUCE THE RISK OF ELECTRIC SHOCK, DO NOT REMOVE COVER (OR BACK). NO USER-SERVICEABLE PARTS INSIDE. REFER SERVICING TO QUALIFIED SERVICE PERSONNEL.



The lightning flash with arrowhead symbol, within an equilateral triangle, is intended to alert the user to the presence of uninsulated "dangerous voltage" within the product's enclosure that may be of sufficient magnitude to constitute a risk of electric shock to persons.



The exclamation point within an equilateral triangle is intended to alert the user to the presence of important operating and maintenance (servicing) instructions in the literature accompanying the appliance.



This product utilizes a Class 1 laser to read Compact Discs. This laser Compact Disc Player is equipped with safety switches to avoid exposure when the CD door is open and the safety interlocks are defeated. Invisible laser radiation is present when the CD Player's lid is open and the system's interlock has failed or been defeated. It is very important that you avoid direct exposure to the laser beam at all times. Please do not attempt to defeat or bypass the safety switches.

Important Safety Instructions

1. Read these Instructions.
2. Keep these Instructions.
3. Heed all Warnings.
4. Follow all instructions.
5. Do not use this apparatus near water.
6. Clean only with a dry cloth.
7. Do not block any ventilation openings. Install in accordance with the manufacturer's instructions.
8. Do not install near any heat sources such as radiators, heat registers, stoves, or other apparatus (including amplifiers) that produce heat.
9. Do not defeat the safety purpose of the polarized or grounding - type plug. A polarized plug has two blades with one wider than the other. A grounding type plug has two blades and a third grounding prong. The wide blade or the third prong are provided for your safety. When the provided plug does not fit into your outlet, consult an electrician for replacement of the obsolete outlet.
10. Protect the power cord from being walked on or pinched particularly at plugs, convenience receptacles, and the point where they exit from the apparatus.
11. Only use attachments/accessories specified by the manufacturer.



Use only with a cart, stand, tripod, bracket, or table specified by the manufacturer, or sold with the apparatus. When a cart is used, use caution when moving the cart/apparatus combination to avoid injury from tip-over.

13. Unplug this apparatus during lightning storms or when unused for long periods of time.
14. Refer all servicing to qualified service personnel. Servicing is required when the apparatus has been damaged in any way, such as power-supply cord or plug is damaged, liquid has been spilled or objects have fallen into the apparatus, the apparatus has been exposed to rain or moisture, does not operate normally, or has been dropped.

Special note: When placing your unit on a lacquered or natural finish, protect your furniture with a cloth or other protective material.

FCC Warnings

This device complies with Part 15 of the FCC Rules. Operation is subject to the following two conditions: (1) this device may not cause harmful interference, and (2) this device must accept any interference received, including interference that may cause undesired operation.

WARNING: Changes or modifications not expressly approved by the party responsible for compliance could void the user's authority to operate the equipment.

NOTE: This equipment has been tested and found to comply with the limits for a Class B digital device, pursuant to Part 15 of the FCC Rules. These limits are designed to provide reasonable protection against harmful interference in a residential installation. This equipment generates, uses and can radiate radio frequency energy and, if not installed and used in accordance with the instructions, may cause harmful interference to radio communications. However, there is no guarantee that interference will not occur in a particular installation. If this equipment does cause harmful interference to radio or television reception, which can be determined by turning the equipment off and on, the user is encouraged to try to correct the interference by one or more of the following measures:

- Reorient or relocate the receiving antenna.
- Increase the separation between the equipment and receiver.
- Connect the equipment into an outlet on a circuit different from that to which the receiver is connected.
- Consult the dealer or an experienced radio/TV technician for help.

RF Exposure Statement

To maintain compliance with FCC's RF Exposure guidelines, This equipment should be installed and operated with minimum distance between 20cm the radiator your body: Use only the supplied antenna.

Additional Warnings

- The apparatus shall not be exposed to dripping or splashing and that no objects filled with liquids, such as vases, shall be placed on apparatus.
L'appareil ne doit pas être exposé aux écoulements ou aux éclaboussures et aucun objet ne contenant de liquide, tel qu'un vase, ne doit être placé sur l'objet.
- Battery shall not be exposed to excessive heat such as sunshine, fire or the like.
Les piles ne doivent pas être exposées à de forte chaleur, tel qu'à la lumière du soleil, au feu ou autres choses de semblable.
- Caution marking is located at the rear or bottom of the apparatus.
Attention marquage est situé sur le panneau arrière ou inférieur de l'unité.
- The marking information is located at the rear or bottom of apparatus.
Le marquage est situé sur le panneau arrière ou inférieur de l'unité.



This symbol indicates that this product incorporates double insulation between hazardous mains voltage and user accessible parts.

IHB613B

Features

- Supports Bluetooth v2.0
- CD player: CD, CD-R/RW
- Digital FM Radio (PLL)
- Station memory presets (10 FM)
- 3.5mm audio input
- Digital volume control
- Top-load disc player
- USB port for mobile phone charging
- Last user's setting memory
- Digital clock
- LCD display
- Sleep timer
- Alarm
- LED pairing indicator
- Full-function remote
- Wireless range: 33 feet
- Preset EQ
- Pairing button
- 2 channel stereo sound
- Metal speaker grill
- Wooden speaker enclosure
- AC power: built-in AC power cable

Included

- Remote control: requires a CR2025 battery (pre-installed)

Table of Contents

IHB613B	4
Features	
Included	
Table of Contents	5
Introduction	6
Setup	8
Power	
Remote	
Connecting the Speakers and RCA Audio Inputs	8
Connecting the Speakers	
Clock, Alarm, & Sleep Timer	9
Setting the Clock	
Setting the Sleep timer	
Setting the Alarm	
Bluetooth & Charging	10
Pairing a Bluetooth Device	
Playing Audio Wirelessly	
Charging a Device	
CD, FM Radio & Line In	11
Loading a CD	
Playing a CD	
Programming a CD	
Playing the Radio	
Radio Reception	
Saving a Radio Station as a Preset	
Tuning to a Saved Preset Station	
Using the Line input	
Company Information	12
International Support	
Contact Information	
Warranty	
Green Initiative	

Introduction

Open/Close

Press to open or close the CD door.

Power

Press to power the music system off or on.

Pair

Press to begin connecting a Bluetooth device.

Repeat/Mem+

Press to repeat the current track or an entire CD. Press to cycle through saved radio stations.

Skip/Search Tune (+/-)

Press to skip between tracks. Press and hold to search through an individual track. Press to tune the FM radio. Press and hold to search for the next available station.

USB Charger

Connect a USB device to charge.

Line In

Source

Press to switch between sources.

EQ

Press to adjust the preset EQ to Rock, Classic, Jazz, Pop, or Bass.

Program/Memory

Press to program tracks to play in a specific order. In FM Radio mode, press to begin saving a station as a preset.

Play/Pause

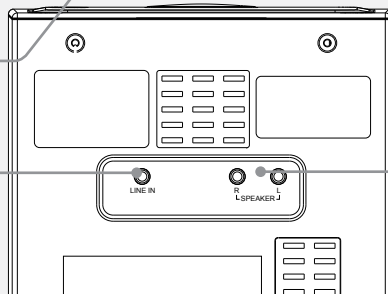
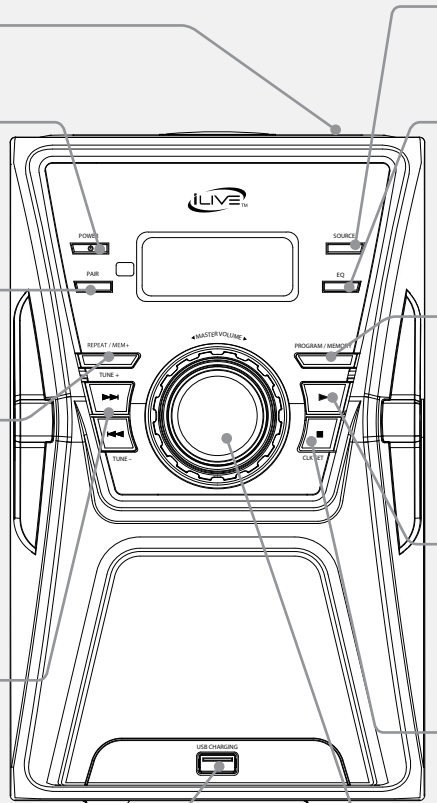
Press to play or pause a connected Bluetooth device or a loaded CD.

Stop/Clk Set

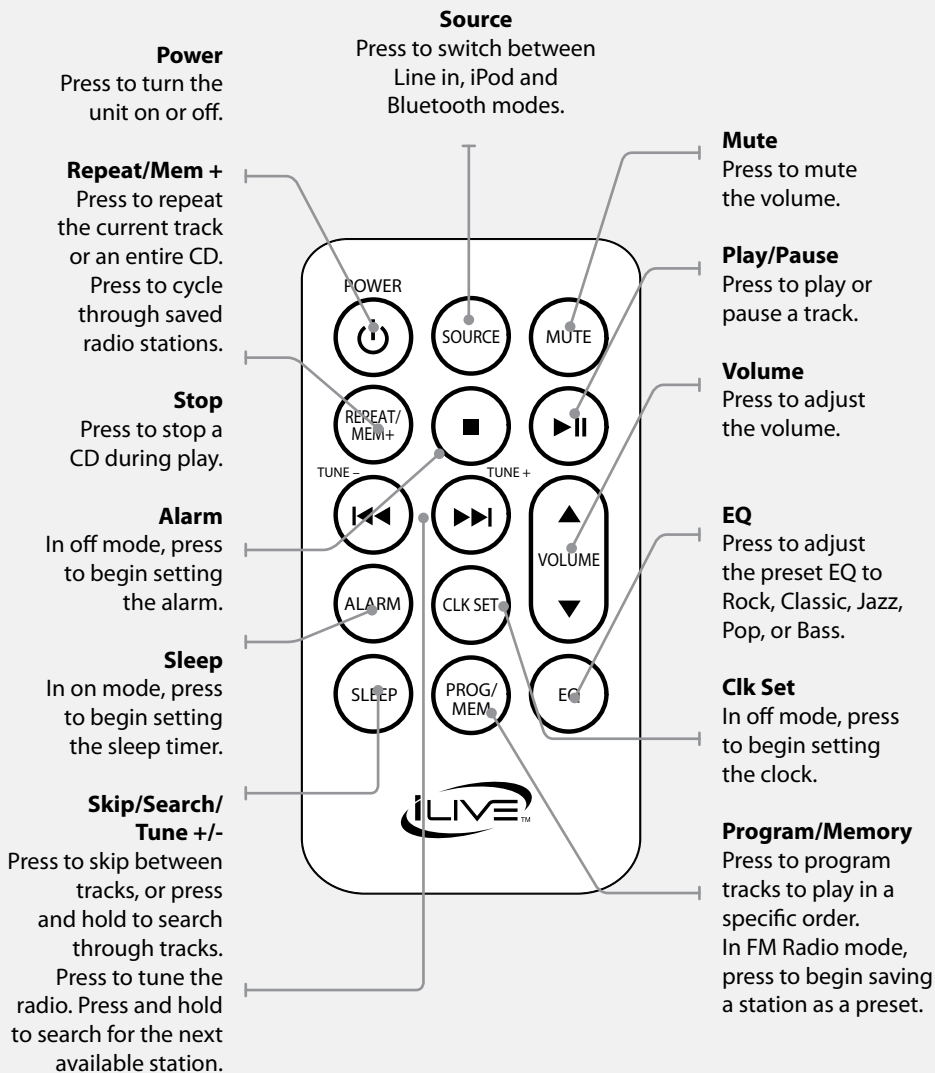
Press to stop a CD during play. In off mode, press to begin setting the clock.

Volume

Turn to adjust the volume.



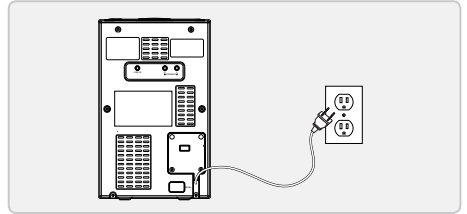
Speaker Outputs



Setup

Power

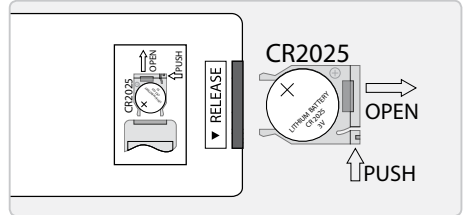
AC power input: requires an AC power cable (included)



Remote

Requires 1, CR2025, battery (pre-installed).

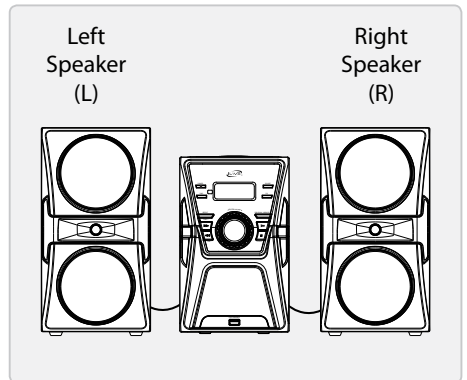
WARNING: The remote control's button cell battery contains mercury. Do not put in the trash, instead recycle or dispose of as hazardous waste.



Connecting the Speakers and RCA Audio Inputs

Connecting the Speakers

Connect the included speakers to the corresponding speaker connections on the back of the speaker system.



Clock, Alarm, & Sleep Timer

Setting the Clock

1. Press the **Power** button to turn the music system off.
2. Press the **CLK Set** button on the music system.
The hour will begin to blink on the display.
3. Press the **Skip/Search** buttons to adjust the hour.
An "AM" indicator will appear on the display when the time is set to the AM. A "PM" indicator will appear on the display when the time is set to the PM.
4. Press the **CLK Set** button to set the adjusted hour.
The minute will begin to blink on the display.
5. Press the **Skip/Search** buttons to adjust the minute.
6. Press the **CLK Set** button to finish setting the clock.

Setting the Sleep timer

1. Press the **Power** button to power the unit on.
2. Press the **Sleep** button repeatedly to set the sleep timer to the desired time.
3. Once the set sleep time has expired the clock radio will automatically power off.

Setting the Alarm

1. With the unit powered off, press the **Alarm** button on the remote.
The display will flash.
2. Press the **Skip/Search** buttons to adjust the alarm source.
OFF, Buzzer or FM
3. Press the **Alarm** button to set the alarm source.
The hour will begin to blink on the display.
An "AM" indicator will appear on the display when the time is set to the AM. A "PM" indicator will appear on the display when the time is set to the PM.
4. Press the **Skip/Search** buttons to adjust the hour.
5. Press the **Alarm** button to set the adjusted hour.
The minute will begin to blink on the display.
6. Press the **Skip/Search** buttons to adjust the minute.
7. Press the **Alarm** button to set the adjusted minute.
The alarm source will begin to blink on the display.
8. Press the **Alarm** button to finish setting the alarm.
9. The unit will power on when the set time is reached.

Bluetooth & Charging

Pairing a Bluetooth Device

1. Power on the unit by pressing the **Power** button.
2. Press the **Source** button to switch to Bluetooth Mode.
The display will show the "BT".
3. Press the **Pair** button.
4. "BT" will flash quickly on the display.
When pairing, remain within 3 feet of the unit.
5. Using the native controls on your Bluetooth device, select the "IHB613" in your Bluetooth settings to pair.

If your device requests a password, enter the default password "0000".

Refer to the user's manual for your specific device for instructions on pairing and connecting Bluetooth devices.

When successfully paired and connected, "BT" will stop flashing and audio will be heard through the speakers.

After initial pairing, the unit will stay paired unless unpaired manually by the user or erased due to a reset of the device.

If your device should become unpaired, follow the above steps again.

If any pairing issues should occur, unpair the unit on your Bluetooth device and follow the above steps again.

Playing Audio Wirelessly

1. Follow the instructions for Pairing a Bluetooth Device.
2. Use the native controls on the connected Bluetooth Device to select a track.
3. To play, pause or skip the selected track, use the native controls on the connected Bluetooth Device or press the **Play/Pause** or **Skip/Search** buttons.
4. Audio played through the connected Bluetooth device will now be heard through the speakers.

Charging a Device

1. Make sure the unit is plugged into the wall.
2. Using the appropriate USB charging cable (not included), connect one end to the device and the other to the **USB Charger** on the unit.

Refer to the user's manual for your specific device for manufacturers required charging amperage as well as determining the appropriate cable for your device before charging.

Note: This device uses a USB charging port with a 1A maximum charging capacity.

3. The device will now charge.

CD, FM Radio & Line In

Loading a CD

1. Open the **Disc Door**.
2. Place a CD into the unit, label side facing up.
3. Close the **Disc Door**.

Playing a CD

1. Follow the instructions for [Loading a CD](#).
2. Press the **Source** button to switch to CD mode.
3. Press the **Play/Pause** button to begin playing the loaded CD.

Programming a CD

1. Follow the instructions for [Loading a CD](#) and [Playing a CD](#).
2. Press the **Stop** button to stop the CD during play.
3. Press the **Program** button on the remote.
4. Use the **Skip/Search** buttons to enter the desired track number.
5. Repeat step 3 until the desired number of CD tracks are programmed.
6. Press the **Play/Pause** button on the remote to begin playing the programmed tracks.

Playing the Radio

1. Press the **Source** button to switch to FM Radio mode.
2. Press the **Tune+/-** buttons to tune the radio. Press and hold to search for the next available station.

Radio Reception

Adjust the position of the antenna to improve FM radio reception.

Saving a Radio Station as a Preset

1. Follow the instructions for [Playing the Radio](#).
2. Press and hold the **Memory** button on the remote or the unit.
3. Press the **Tune+/-** buttons on the remote to select a preset number.
Up to 20 stations may be preset.
4. Press the **Memory** button to save the current station to the selected preset.

Tuning to a Saved Preset Station

1. In FM Radio mode, press the **Repeat/Mem+** button to cycle through saved presets.

Using the Line input

Requires a 3.5mm audio cable (not included)

1. Connect a 3.5mm audio cable to the **3.5mm Audio Input** and the audio output on an MP3 player or other audio device.
2. Press the **Source** button to switch to Line In mode.
3. Use the native controls on the connected MP3 player or other audio source to play your audio through the unit.

Company Information

International Support

To download this User's Guide in English, Spanish, or French, or to get answers to frequently asked questions, visit the support section at www.iLiveElectronics.com.

Para descargar este Manual del Usuario en inglés, español y francés, o para obtener respuestas a preguntas frecuentes, visite la sección de apoyo en www.iLiveElectronics.com.

Pour télécharger ce guide de l'utilisateur en anglais, espagnol ou français, ou pour obtenir des réponses à des questions fréquemment posées, consultez la rubrique d'assistance sur www.iLiveElectronics.com.

Contact Information

Email Support: prodinfo@dpiinc.com

Email Parts: partsinfo@dpiinc.com

Phone Support: 1-888-999-4215

Website: www.iLiveElectronics.com

Warranty

For Warranty Information and the most up-to-date version of this User's Guide, go to: www.iLiveElectronics.com

Green Initiative



Environmental Commitment to 'Protect for Today and Sustain for Tomorrow'

On a continual basis DPI, Inc. is making efforts to sustain the environment and improve the recyclability of its products and packaging.

Focusing on "protecting for today and sustaining for tomorrow" DPI, Inc. has committed to reducing packaging size, increasing the usage of recyclable plastics, and ensuring that packaging and manuals are made with up to 85% recycled material. In addition to material consideration, DPI, Inc. has also focused on the finer details that positively impact the environment such as employing the usage of soy-based inks.

DPI, Inc. also ensures that the factories that produce the company's wide variety of consumer electronics adhere to environmentally friendly air and water restrictions. This is yet another example that every step of the way DPI, Inc. is making efforts to lessen any impact on the environment.

In 2011 DPI, Inc. also began conversations with Energy Star in order to ensure that the consumer electronics being produced meet high standards of energy efficiency. The ultimate goal is keeping energy costs for consumers low while providing quality, feature-rich products.