

Bluetooth Speaker with Clock

User's Guide for Model ICB284S v982-01



FCC Caution

This device complies with part 15 of the FCC Rules. Operation is subject to the following two conditions: (1) This device may not cause harmful interference, and (2) this device must accept any interference received, including interference that may cause undesired operation.

Any Changes or modifications not expressly approved by the party responsible for compliance could void the user's authority to operate the equipment.

Note: This equipment has been tested and found to comply with the limits for a Class B digital device, pursuant to part 15 of the FCC Rules. These limits are designed to provide reasonable protection against harmful interference in a residential installation. This equipment generates uses and can radiate radio frequency energy and, if not installed and used in accordance with the instructions, may cause harmful interference to radio communications. However, there is no guarantee that interference will not occur in a particular installation.

If this equipment does cause harmful interference to radio or television reception, which can be determined by turning the equipment off and on, the user is encouraged to try to correct the interference by one or more of the following measures:

- Reorient or relocate the receiving antenna.
- Increase the separation between the equipment and receiver.
- Connect the equipment into an outlet on a circuit different from that to which the receiver is connected.
- Consult the dealer or an experienced radio/TV technician for help.

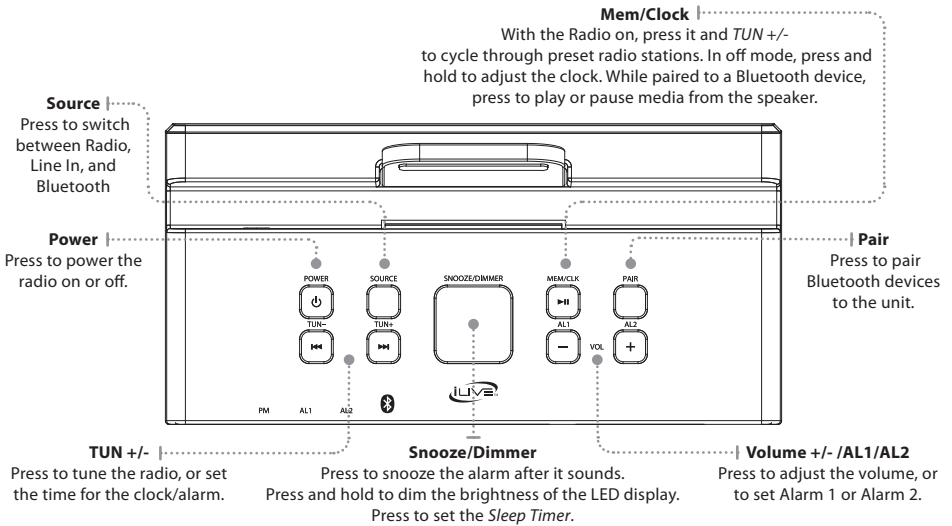
RF Warnings

The device has been evaluated to meet general RF exposure requirement. The device can be used in portable exposure condition without restriction.

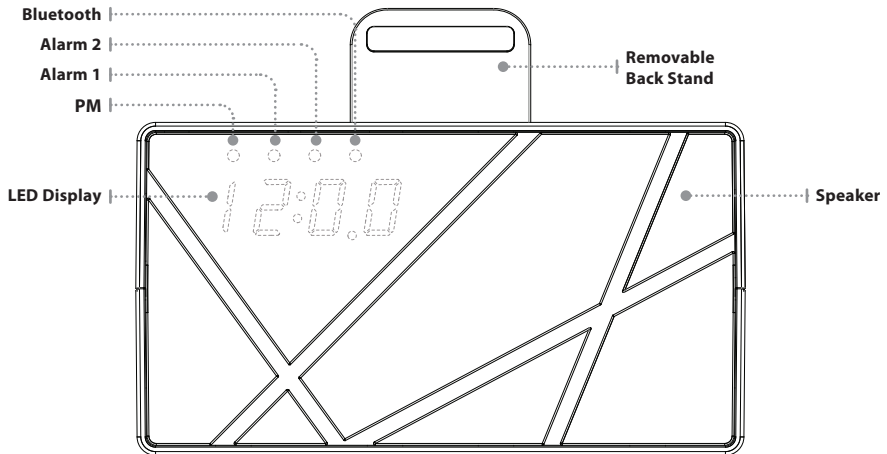
Additional Warnings

- The apparatus shall not be exposed to dripping or splashing and that no objects filled with liquids, such as vases, shall be placed on apparatus.
- Do not place the unit on top of any soft, porous, or sensitive surfaces to avoid damaging the surface. Use a protective barrier between the unit and surface to protect the surface.
- Keep new and used batteries away from children. If the battery compartment does not close securely, stop using the product and keep it away from children.
- If you think batteries might have been swallowed or placed inside any part of the body, seek immediate medical attention.
- Do not mix old and new batteries.
- Do not mix alkaline, standard (carbon-zinc), or rechargeable (ni-cad, ni-mh, etc) batteries.
- Batteries should be recycled or disposed of as per state and local guidelines.

FUNCTIONS AND CONTROLS



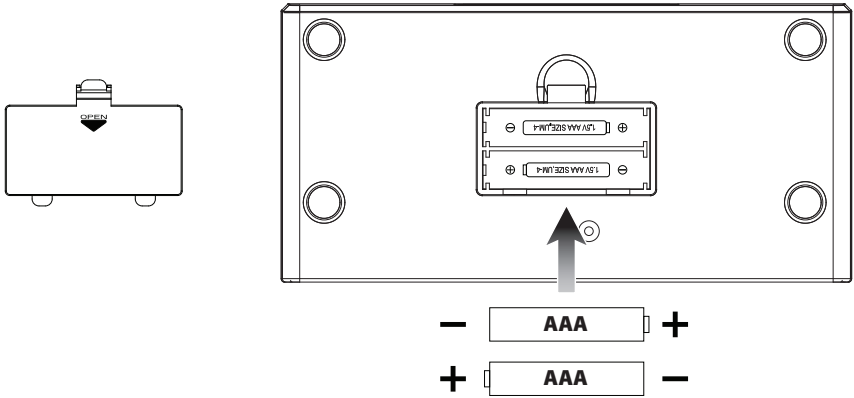
Indicator Lights



Battery Backup

The battery backup is intended for short power outages only. The clock radio's primary functions cannot run off of the battery backup alone. Requires 2, AAA-size, batteries (not included).

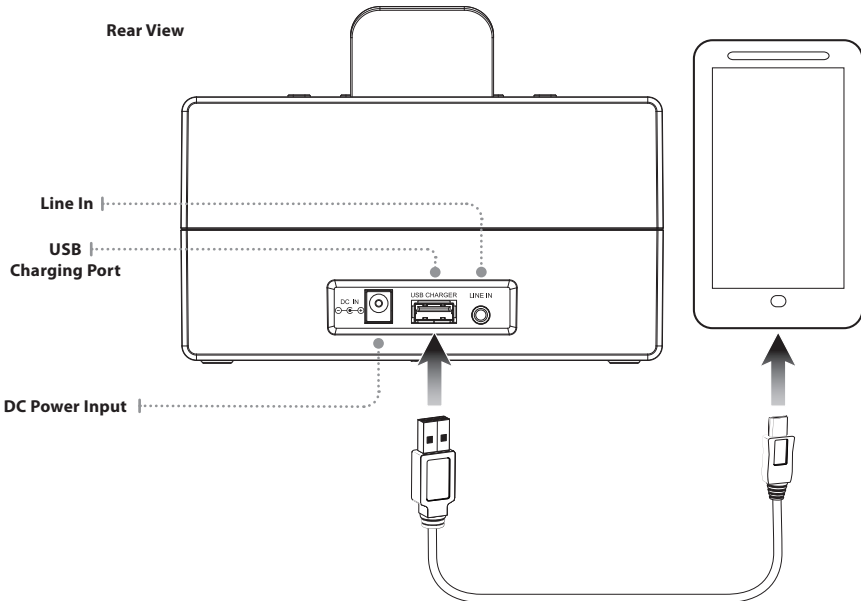
Bottom View



Power

Plug the AC/DC power adapter (included) into the **DC Power Input** on the unit, and a standard power outlet. The unit can be used to charge mobile devices through a USB charging port in the rear, as seen on the below (USB cable not included).

Rear View



CLOCK

Setting the Clock

1. With the unit off, press and hold the **MEM/CLK** button until the display begins flashing.
2. Press the **TUN ±** buttons to adjust the time in hours. *The PM indicator will light when the hour is set in the PM.*
3. While the display is still flashing, press **MEM/CLK** again to switch to minutes, then press the **TUN ±** buttons to set the time in minutes.
4. Press **MEM/CLK** to finish, or wait for the display to stop flashing.

RADIO

Radio Reception

An FM antenna is built into the clock radio. To improve FM radio reception, adjust the position of the clock radio.

Tuning the FM Radio

1. Power on the radio by pressing the **Power** button.
2. Press the **Source** button to select radio mode, then press the **TUN ±** buttons to find the desired radio frequency.
3. Press the **VOL ±** buttons to adjust the volume of the radio.

Saving a Station as a Preset

1. With the radio on, tune to your desired frequency, press and hold the **MEM/CLK** button until the screen flashes.
2. Press the **TUN ±** buttons to choose the desired preset station, 1 through 20.
3. Press **MEM/CLK** again to set the frequency to that preset station.
4. Once set, press **MEM/CLK** to select your presets (**Pxx** will appear on the display), then press the **TUN ±** buttons to cycle through your preset stations.

LINE IN AND BLUETOOTH

Line In

An auxiliary line in port is built into the rear of the unit and can be used to play media directly from a mobile device using a 3.5mm audio cable (not included). To do this, simply plug the cable into the **Line In** port on the unit and on your device. Press the **Source** button to select **AU** on the display, and your music should be heard through the speaker.

Pairing a Bluetooth Device

Refer to the user's manual for your specific device for instructions on pairing and connecting Bluetooth devices. When pairing, the device should remain within 3 feet of the speakers.

1. Press the **Source** button to select **bt** on the display. A blue light above the display will also indicate this.
2. Press the **PAIR** button. The blue light will begin to flash quickly.
3. Using the native controls on your Bluetooth device, scan for and select **ICB284** in your Bluetooth settings to pair.
4. If your device requests a password, enter **0000**.
5. When successfully paired, the indicator will stop flashing and remain solid.
6. After initial pairing, the unit will stay paired unless unpaired manually by the user, or erased due to a reset of the device.
7. If any pairing issues should occur, un-pair the unit on your Bluetooth device and follow the above steps again.

ALARM

Setting Alarm 1/Alarm 2

1. With the radio off, press and hold the **AL1** or **AL2** buttons until the display begins flashing. *Note the white indicator light above the display.*
2. Press the **TUN ±** buttons to select **bb (buzzer)** or **Fr7 (radio)** on the display.
3. Press **AL1** or **AL2** to set.
4. Press the **TUN ±** buttons to adjust the time in hours. *The PM indicator will light when the hour is set in the PM.*
5. While the display is still flashing, press **AL1** or **AL2** again to switch to minutes, then press the **TUN ±** buttons to set the time in minutes.
6. Press the **AL1** or **AL2** buttons again to finish, or wait for the display to stop flashing

Snooze and Alarm Reset

After the alarm sounds:

Press the **Snooze** button to delay the alarm for an additional 9 minutes,

OR

Press the **Power** button to turn the alarm off until the set alarm time is reached again.

Canceling the Alarm

Press the **AL1** or **AL2** button until the indicator is no longer lit.

SLEEP TIMER

Setting the Sleep Timer

1. While powered on, press the **Snooze/Sleep/Dimmer** button repeatedly to set the sleep timer (90, 80, 70, 60, 50, 40, 30, 20, 10 min, or Off).
2. Once the set sleep time has expired the clock radio will automatically power off.

INTERNATIONAL SUPPORT

To download this User's Guide in English, Spanish, or French, or to get answers to frequently asked questions, visit the support section at:
www.iLiveElectronics.com

Pour télécharger ce guide de l'utilisateur en anglais, espagnol ou français, ou pour obtenir des réponses à des questions fréquemment posées, consultez la rubrique d'assistance sur:
www.iLiveElectronics.com

Para descargar este Manual del Usuario en inglés, español y francés, o para obtener respuestas a preguntas frecuentes, visite la sección de apoyo en:
www.iLiveElectronics.com

