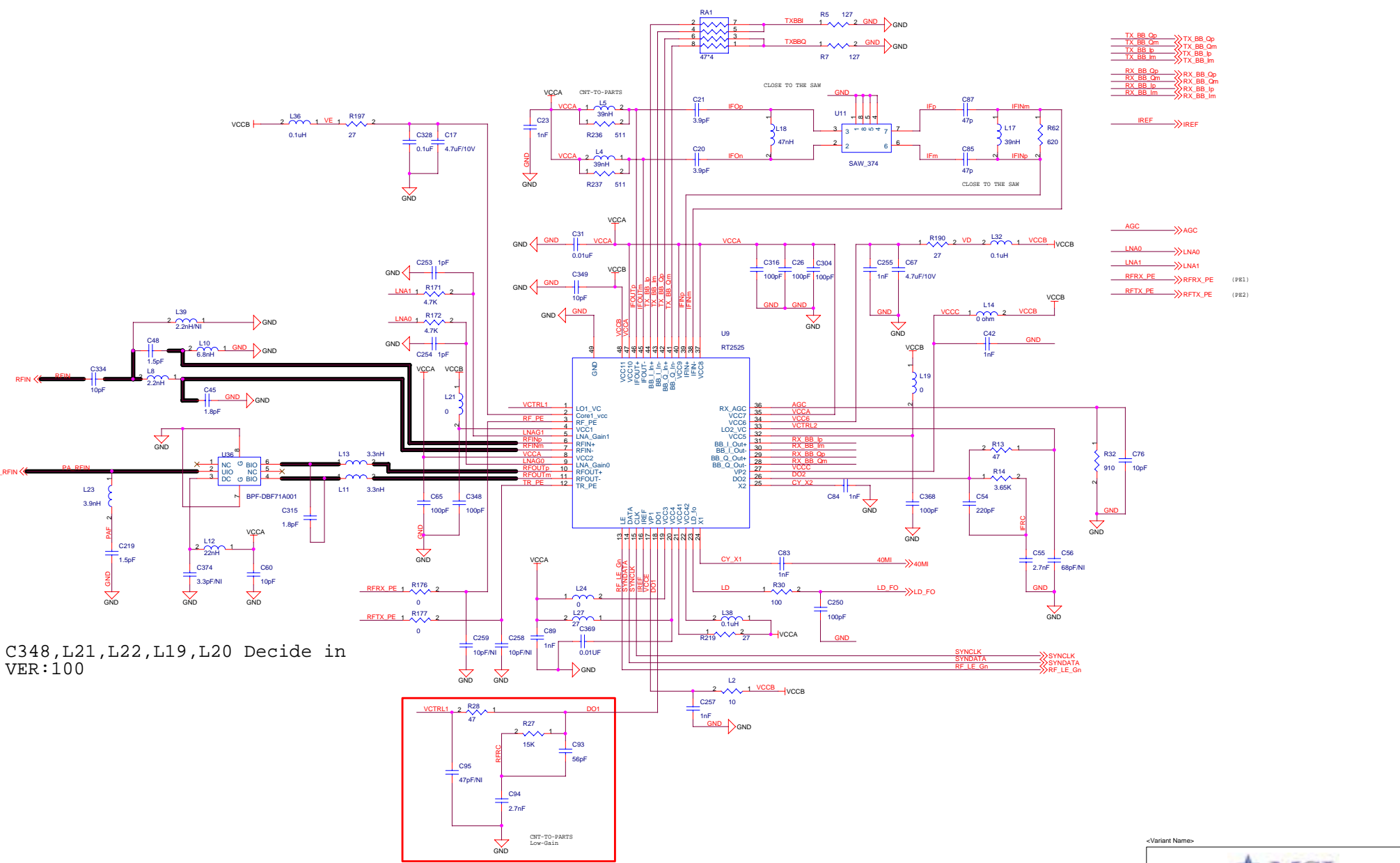
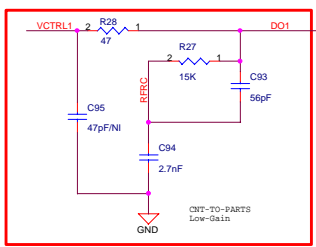


MSI
Link to the Future

Title PA and TX/RX		
Size B	Document Number MS-6834	Rev 0B
Date: Monday, December 22, 2003	Sheet 3	of 5



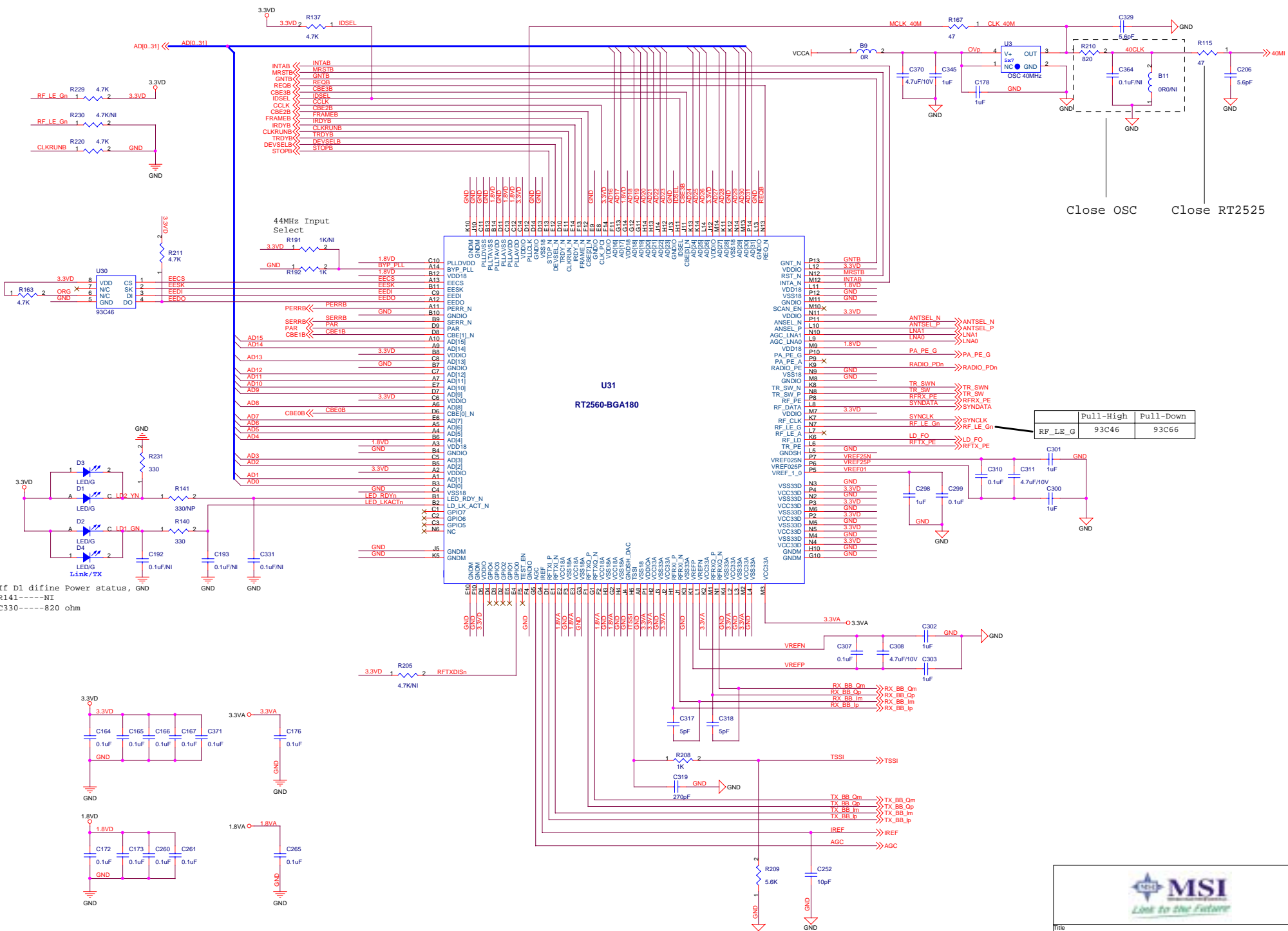
C348, L21, L22, L19, L20 Decide in VER:100



- TX_BB_Op >>> TX_BB_Op
- TX_BB_Om >>> TX_BB_Om
- TX_BB_Ip >>> TX_BB_Ip
- TX_BB_Im >>> TX_BB_Im
- RX_BB_Op >>> RX_BB_Op
- RX_BB_Om >>> RX_BB_Om
- RX_BB_Ip >>> RX_BB_Ip
- RX_BB_Im >>> RX_BB_Im
- IREF >>> IREF
- AGC >>> AGC
- LNA0 >>> LNA0
- LNA1 >>> LNA1
- RFRX_PE >>> RFRX_PE (PE1)
- RFTX_PE >>> RFTX_PE (PE2)

<Variant Name>

Title		2.4GHz Transceiver-RT2525
Size	Document Number	Rev
C	MS-6834	0B
Date:	Monday, December 22, 2003	Sheet 4 of 5



Close OSC Close RT2525

	Pull-High	Pull-Down
RF_LE_G	93C46	93C66

If D1 define Power status, GND
R141-----NI
C330-----820 ohm

File: RT2560
Size C Document Number MS-6834 Rev 0B
Date: Monday, December 22, 2003 Sheet 5 of 5